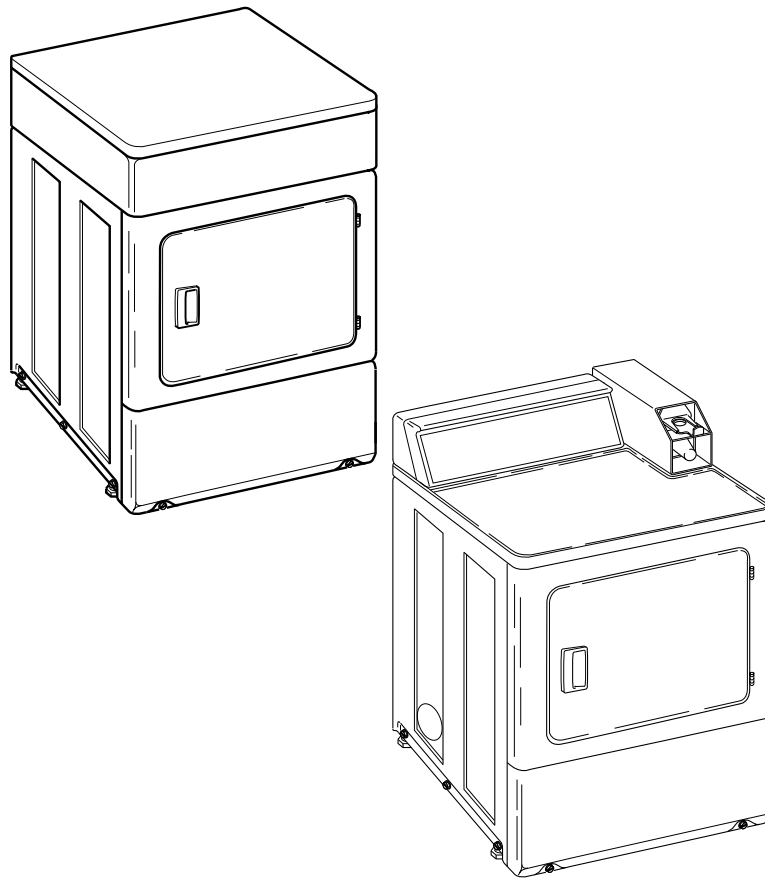


Commercial Dryers

Metered and Nonmetered
Refer to Page 5 for Model Numbers



DRY692C_510298

Table of Contents

Title	Page
Parts Ordering Information.....	3
Nameplate Location.....	3
Model Identification.....	5
Graphic Overlays and Controls - Electromechanical Rear Control Models.....	6
Control Hood - Electromechanical Rear Control Models.....	8
Control Panel, Control Hood and Controls - Nonmetered Rear Control Models.....	10
Control Panel and Control Hood - Coin Slide Rear Control Models.....	12
Control Panel and Controls - Electronic Rear Control Models.....	14
Control Panel - Rear Control Coin Drop and Card Ready Models.....	16
Controls - Rear Control Coin Drop and Card Ready Models.....	18
Control Panel and Controls - Rear Control Card Models.....	20
Timer and Timer Case - Nonmetered Rear Control Models.....	22
Short Vault Coin Slide Extension and Meter Case - Coin Slide Rear Control Models.....	24
Long Vault Coin Slide Extension and Meter Case - Coin Slide Rear Control Models.....	26
Control, Meter Case and Service Door - Coin Slide Rear Control Models.....	28
Coin Slide Extension Through Serial No. 1211 - Coin Slide Rear Control Models.....	30
Coin Slide Extension Starting Serial No. 1211 - Coin Slide Rear Control Models.....	32
Meter Case - Rear Control Models.....	34
Non-Electronic Coin Drop - Rear Control Models.....	36
Electronic Coin Drop - Rear Control Models.....	38
Card Reader and Security Case - Rear Control Models.....	40
Cabinet Top - Rear Control Models.....	42
Control Panel and Controls - Coin Slide Ready Front Control Models.....	44
Control Panel and Controls - Coin Drop and Card Front Control Models.....	46
Control Cabinet Controls - Front Control Coin Drop Models.....	48
Non-Electronic Coin Drop - Front Control Models.....	50
Electronic Coin Drop - Front Control Models.....	52
Card Reader - Front Control Card Reader Installed Models.....	54
Integrated Card Reader Installed and Ready Models.....	56
Cabinet Top - Front Control Models.....	58
Accumulator - Coin Slide Models.....	60
Loading Door without Window.....	62
Loading Door with Window.....	64
Access Panel, Front Panel and Seal.....	66
Motor, Exhaust Fan and Belt.....	68
Front Bulkhead, Air Duct and Felt Seal.....	70
Cylinder Assembly without Light.....	72
Front Bulkhead, Air Duct, Felt Seal and Cylinder with Light.....	74
Rear Bulkhead, Felt Seal, Cylinder Roller and Terminal Block.....	76
Heater Duct and Element Assembly - Electric Model Dryers.....	78
Heater Duct Assembly - Gas Model Dryers.....	80

© Copyright 2013, Alliance Laundry Systems LLC

All rights reserved. No part of the contents of this book may be reproduced or transmitted in any form or by any means without the expressed written consent of the publisher.

Gas Valve, Igniter and Gas Conversion Kits	82
Burner Orifice Spuds - For Higher Elevations	84
Cabinet, Exhaust Duct and Base	86
Power Cord	88
Terminal Block and Terminals (Drawing 1 of 2)	90
Terminal Block and Terminals (Drawing 2 of 2)	92
Terminals and Terminal Extractor Tools	94
Wire Harnesses and Wires - Rear Control Models	96
Wire Harnesses and Wires - Rear Control Models Through Serial No. 1207	98
Wire Harnesses and Wires - Rear Control Models Starting Serial No. 1207 (Drawing 1 of 2)	100
Wire Harnesses and Wires - Rear Control Models Through Serial No. 0904	102
Wire Harnesses and Wires - Rear Control Models Starting Serial No. 0904 and Continuing Through Serial No. 1207	104
Wire Harnesses and Wires - Rear Control Models Starting Serial No. 1207 (Drawing 2 of 2)	106
Wire Harnesses and Wires - Front Control Models.....	108
Wire Harnesses and Wires - Front Control Models Through Serial No. 1303	110
Wire Harnesses and Wires - Front Control Models Starting Serial No. 1303 (Drawing 1 of 2).....	112
Wire Harnesses and Wires - Front Control Models Through Serial No. 0904	114
Wire Harnesses and Wires - Front Control Models Starting Serial No. 0904	116
Wire Harnesses and Wires - Front Control Models Starting Serial No. 0904 and Continuing Through Serial No. 1303	118
Wire Harnesses and Wires - Front Control Models Starting Serial No. 1303 (Drawing 2 of 2).....	120
Parts Index	123

Parts Ordering Information

If literature or replacement parts are required, contact the source from whom the machine was purchased or contact Alliance Laundry Systems at (920) 748-3950 for the name and address of the nearest authorized parts distributor.

For technical assistance, call either of the numbers listed below:

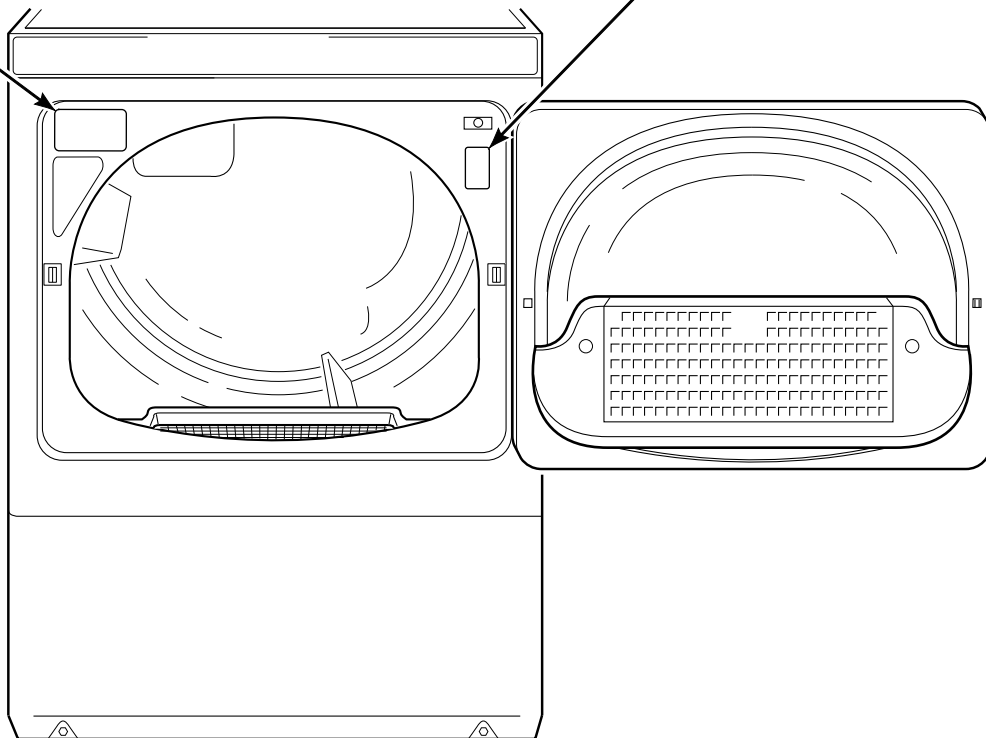
(920) 748-3121 Ripon, Wisconsin
+32 56 41 20 54 Wevelgem, Belgium

Nameplate Location

When calling or writing about your product, be sure to mention model and serial numbers. Model and serial numbers are located on nameplate(s) as shown.

NAMEPLATE
(Models starting Serial No. 1206025810)

NAMEPLATE
(Models through Serial No. 1206025809)



DRY2283P_510298

Model Identification

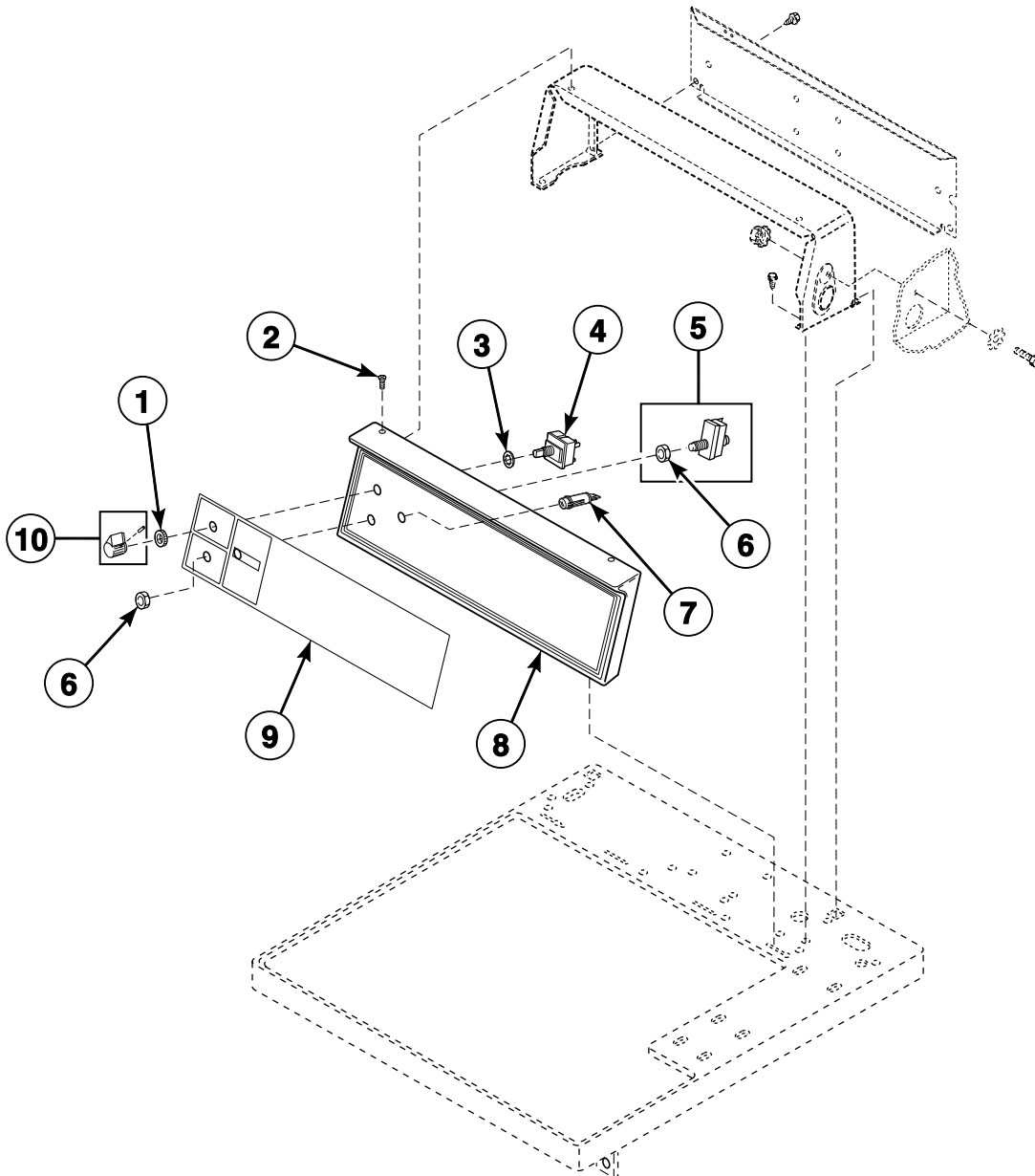
Information in this manual is applicable to these dryer models:

BDE807*F	SDE007*F	SDG009*F	SFE107*F
BDE907*F	SDE007*F1500	SDG109*F	SFE407*F
BDEBCFGS171TN01	SDE107*F	SDG109*F1124	SFE507*F
BDEBCFGS171TW01	SDE107*F1500	SDG109*F99L6	SFE507*F1500
BDEBEFGS171TN01	SDE107*F1724	SDG109*F99L7	SFE707*F
BDEBEFGS171TW01	SDE107*F99L6	SDG309*F	SFEB07*J
BDEBYRGS171TW01	SDE107*F99L7	SDG409*F	SFEF07*J
BDGBCFGS111TN01	SDE307*F	SDG509*F	SFET07*F
BDGBCFGS111TW01	SDE307*F1500	SDG609*F	SFEX07*F
BDGBEFGS111TN01	SDE407*F	SDG709*F	SFEY07*F
BDGBEFGS111TW01	SDE407*F1500	SDG809*F	SFEZ07*F
BDGBYRGS111TW01	SDE507*F	SDG909*F	SFG109*F
BDET07*F	SDE507*F1500	SDG909*F1124	SFG409*F
BDEX07*F	SDE607*F	SDGA09*J	SFG509*F
BDGT09*F	SDE607*F1500	SDGB09*J	SFG709*F
BFEX07*F	SDE707*F	SDGBCRGS111TW02	SFGB09*J
BFGX09*F	SDE707*F1500	SDGBXRGS111TW02	SFGF09*J
HDE007*F	SDE807*F	SDGC09*J	SFGT09*F
HDE107*F	SDE807*F1500	SDGF09*J	SFGX09*F
HDE907*F	SDE907*F	SDGH09*J	SFGY09*F
HDEB07*J99L1	SDE907*F1500	SDGSXRGS111TW02	SFGZ09*F
HDEB07*J99L2	SDE907*F1724	SDGT09*F	UDE007*F
HDET07*F	SDEA07*J	SDGX09*F	UDE807*F
HDET07*F1500	SDEA07*J1500	SDGY09*F	UDG009*F
HDEY07*F	SDEB07*J	SDGZ09*F	UDG809*F
HDEY07*F1500	SDEB07*J1500		
HDEZ07*F	SDEBCRGS171TW02		
HDEZ07*F1500	SDEBXRGS171TW02		
HDG009*F	SDEC07*J		
HDG109*F	SDEF07*J		
HDG909*F	SDEF07*J1500		
HDGB09*J99L1	SDEH07*J		
HDGT09*F	SDEH07*J1500		
HDGY09*F	SDESXRGS171TW02		
HDGZ09*F	SDET07*F		
JDE807*F	SDET07*F1500		
JDE907*F	SDEX07*F		
JDG809*F	SDEX07*F1500		
JDG909*F	SDEY07*F		
KFEG17NF	SDEY07*F1500		
KFET17NF	SDEZ07*F		
KFEY17NF	SDEZ07*F1500		
KFGG19NF			
KFGT19NF			
KFGY19NF			

* Add Letter To Designate Color. L - Almond Q - Bisque W - White

Graphic Overlays and Controls - Electromechanical Rear Control Models

Models HDE007*F, HDE107*F, HDG009*F, HDG109*F, SDE007*F, SDE007*F1500, SDE107*F, SDE107*F1500, SDE107*F1724, SDE107*F99L6, SDE107*F99L7, SDE307*F, SDE307*F1500, SDG009*F, SDG109*F, SDG109*F1124, SDG109*F99L6, SDG109*F99L7, SDG309*F, UDE007*F and UDG009*F



DRY1854P_510298

Graphic Overlays and Controls - Electromechanical Rear Control Models

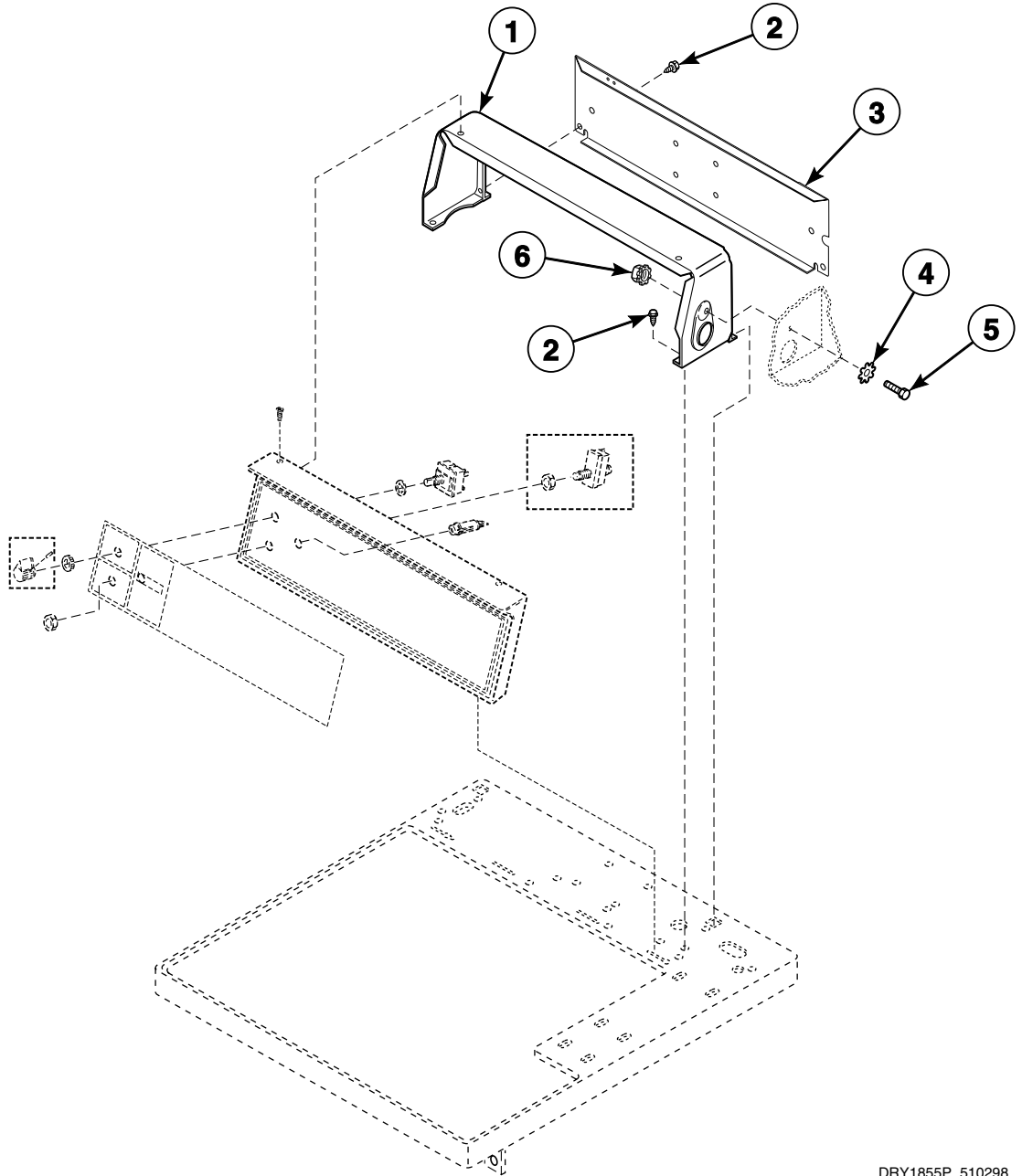
REF	PART NO.	DESCRIPTION	COMMENTS
1	24205	Nut	
2	52864	Screw	
	35528	Screw	Optional for added security
3	91176	Washer	
4	61512	Fabric Selector Switch	
5	55882	Switch Assembly	Includes item 6
6	52947	Nut	
7	32464	Light	White
8	501738W	Control Panel and Bracket Assembly	White
	N/A	Control Panel and Bracket Assembly	Almond
	501738Q	Control Panel and Bracket Assembly	Bisque
9	511898	Graphic Overlay	Models UDE007*F and UDG009*F
	511900	Graphic Overlay	Models HDE007*F, HDE107*F, HDG009*F and HDG109*F
	511895	Graphic Overlay	All other models
10	39897	Switch Knob	

* Add Letter To Designate Color. L - Almond Q - Bisque W - White

N/A = Part no longer available

Control Hood - Electromechanical Rear Control Models

Models HDE007*F, HDE107*F, HDG009*F, HDG109*F, SDE007*F, SDE007*F1500, SDE107*F, SDE107*F1500, SDE107*F1724, SDE107*F99L6, SDE107*F99L7, SDE307*F, SDE307*F1500, SDG009*F, SDG109*F, SDG109*F1124, SDG109*F99L6, SDG109*F99L7, SDG309*F, UDE007*F and UDG009*F



DRY1855P_510298

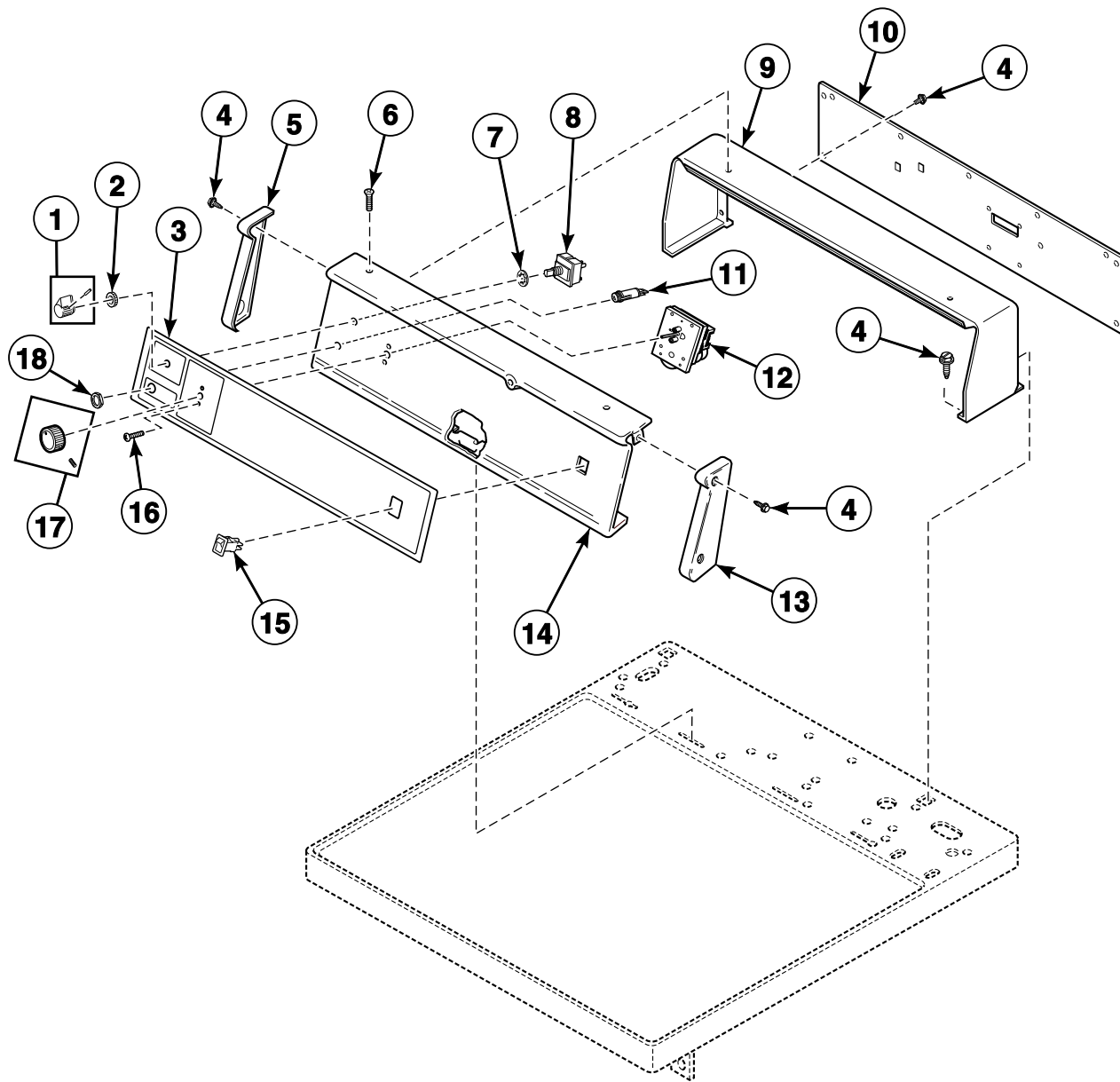
Control Hood - Electromechanical Rear Control Models

REF	PART NO.	DESCRIPTION	COMMENTS
1	502567W	Control Hood	White
	502567L	Control Hood	Almond
	502567Q	Control Hood	Bisque
2	501086	Screw	
3	505798	Hood Back Plate	
4	M400017	Washer	
5	02916	Screw	
6	29786	Nut	

* Add Letter To Designate Color. L - Almond Q - Bisque W - White

Control Panel, Control Hood and Controls - Nonmetered Rear Control Models

Models BDE807*F, JDE807*F, JDG809*F, SDE807*F, SDE807*F1500, SDG809*F, UDE807*F and UDG809*F



DRY2037P_510298

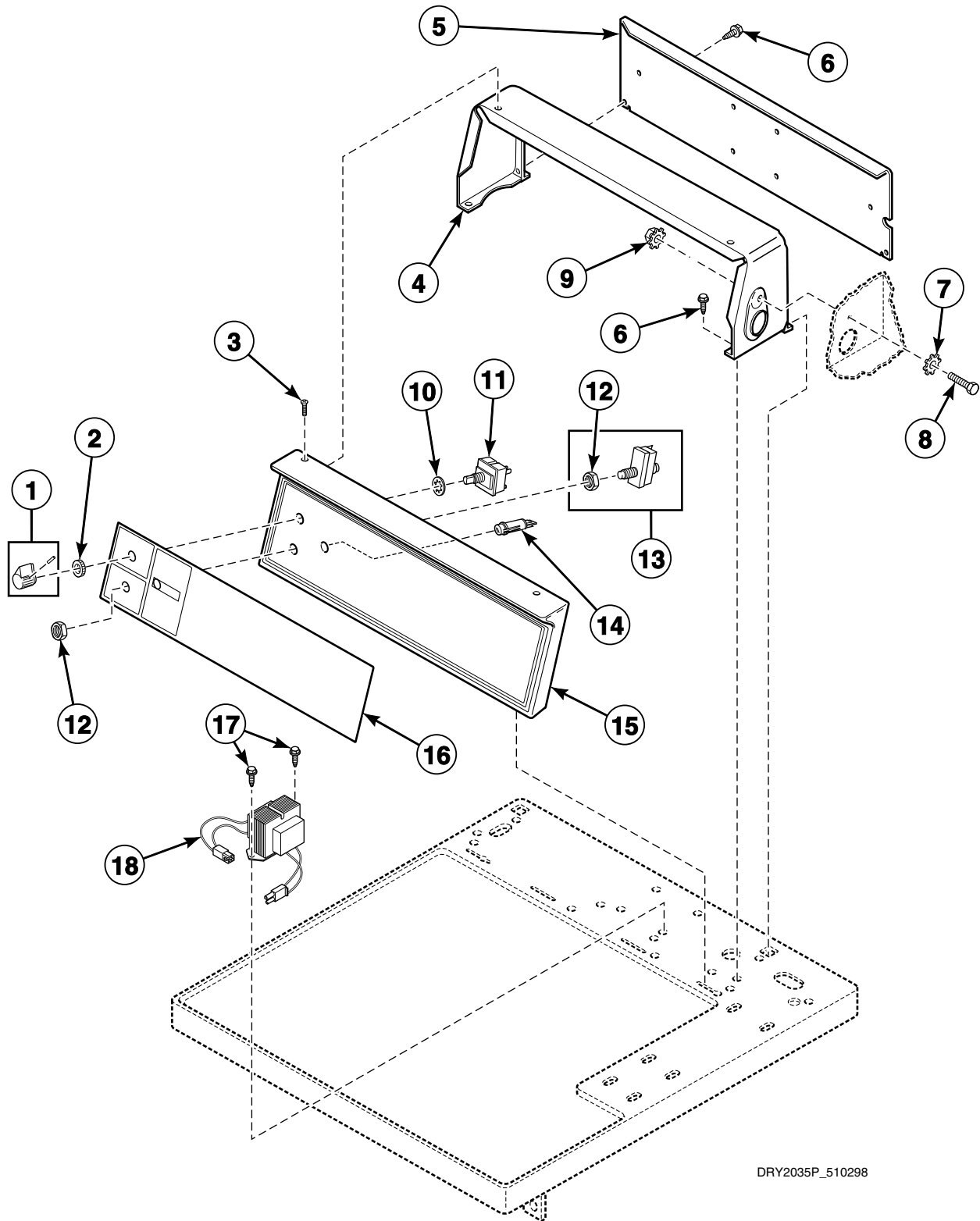
Control Panel, Control Hood and Controls - Nonmetered Rear Control Models

REF	PART NO.	DESCRIPTION	COMMENTS
1	39897	Switch Knob	
2	24205	Nut	
3	513604	Control Panel Overlay	Models UDE807*F and UDG809*F
	512679	Control Panel Overlay	Models JDE807*F and JDG809*F
	512368	Control Panel Overlay	Models SDE807*F, SDE807*F1500 and SDG809*F
	512927	Control Panel Overlay	Model BDE807*F
4	501086	Screw	
5	210109W	End Cap	Left
6	52864	Screw	Phillips head
	35528	Screw	Torx head
7	91176	Washer	
8	61512	Fabric Selector Switch	
9	511253W	Control Hood	White
	511253L	Control Hood	Almond
	511253Q	Control Hood	Bisque
10	511254	Rear Panel	
11	32464	Light	
12	510524P	Timer	120 Volt/60 Hertz
13	210108W	End Cap	Right
14	512533W	Control Panel Assembly	White
	512533Q	Control Panel Assembly	Bisque
15	70455101	Rocker Switch	
16	27328	Screw	
17	54678	Timer Knob	
18	52947	Nut	

* Add Letter To Designate Color. L - Almond Q - Bisque W - White

Control Panel and Control Hood - Coin Slide Rear Control Models

Models BDE907*F, HDE907*F, HDG909*F, JDE907*F, JDG909*F, SDE907*F, SDE907*F1500, SDE907*F1724, SDESXRG171TW02, SDG909*F, SDG909*F1124 and SDGSXRG111TW02



DRY2035P_510298

Control Panel and Control Hood - Coin Slide Rear Control Models

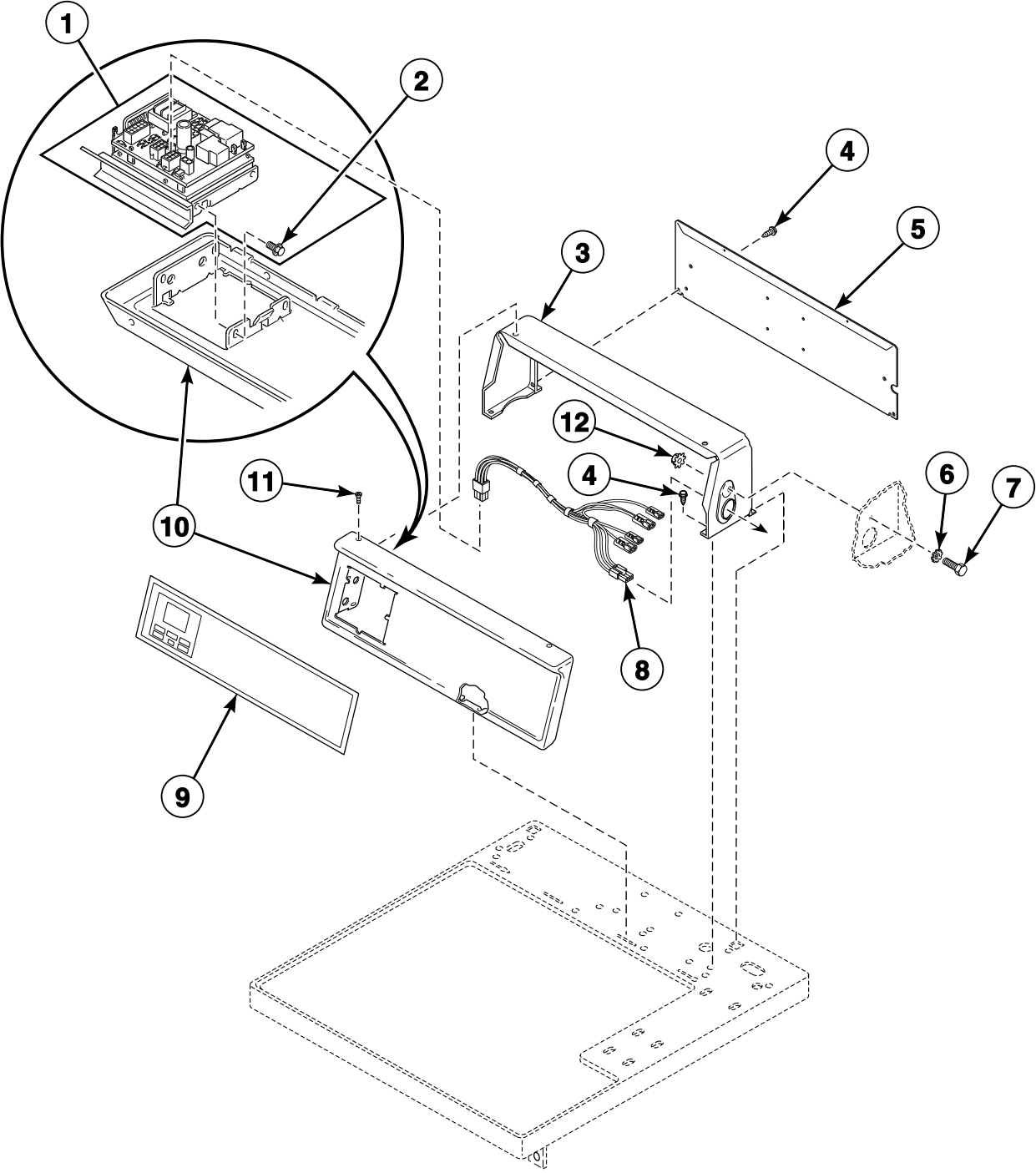
REF	PART NO.	DESCRIPTION	COMMENTS
1	39897	Switch Knob	
2	24205	Nut	
3	52864	Screw	
	35528	Screw	Optional for added security
4	502567W	Control Hood	White
	502567L	Control Hood	Almond
	502567Q	Control Hood	Bisque
5	505798	Hood Back Plate	
6	501086	Screw	
7	M400017	Washer	
8	02916	Screw	
9	29786	Nut	
10	91176	Washer	
11	511711	Temperature Selector Switch	
12	52947	Nut	
13	55882	Switch Assembly	Includes item 12
14	801431	Light	
15	501738W	Control Panel and Bracket Assembly	White
	N/A	Control Panel and Bracket Assembly	Almond
	501738Q	Control Panel and Bracket Assembly	Bisque
16	512490	Control Panel Overlay	Models HDE907*F and HDG909*F
	512677	Control Panel Overlay	Models JDE907*F and JDG909*F
	512865	Control Panel Overlay	Model BDE907*F
	512489	Control Panel Overlay	All other models
17	503661	Screw	
18	201587P	Transformer	

* Add Letter To Designate Color. L - Almond Q - Bisque W - White

N/A = Part no longer available

Control Panel and Controls - Electronic Rear Control Models

Models SDE407*F, SDE407*F1500, SDE507*F, SDE507*F1500, SDE607*F, SDE607*F1500, SDE707*F, SDE707*F1500, SDG409*F, SDG509*F, SDG609*F and SDG709*F



DRY1920P_510298

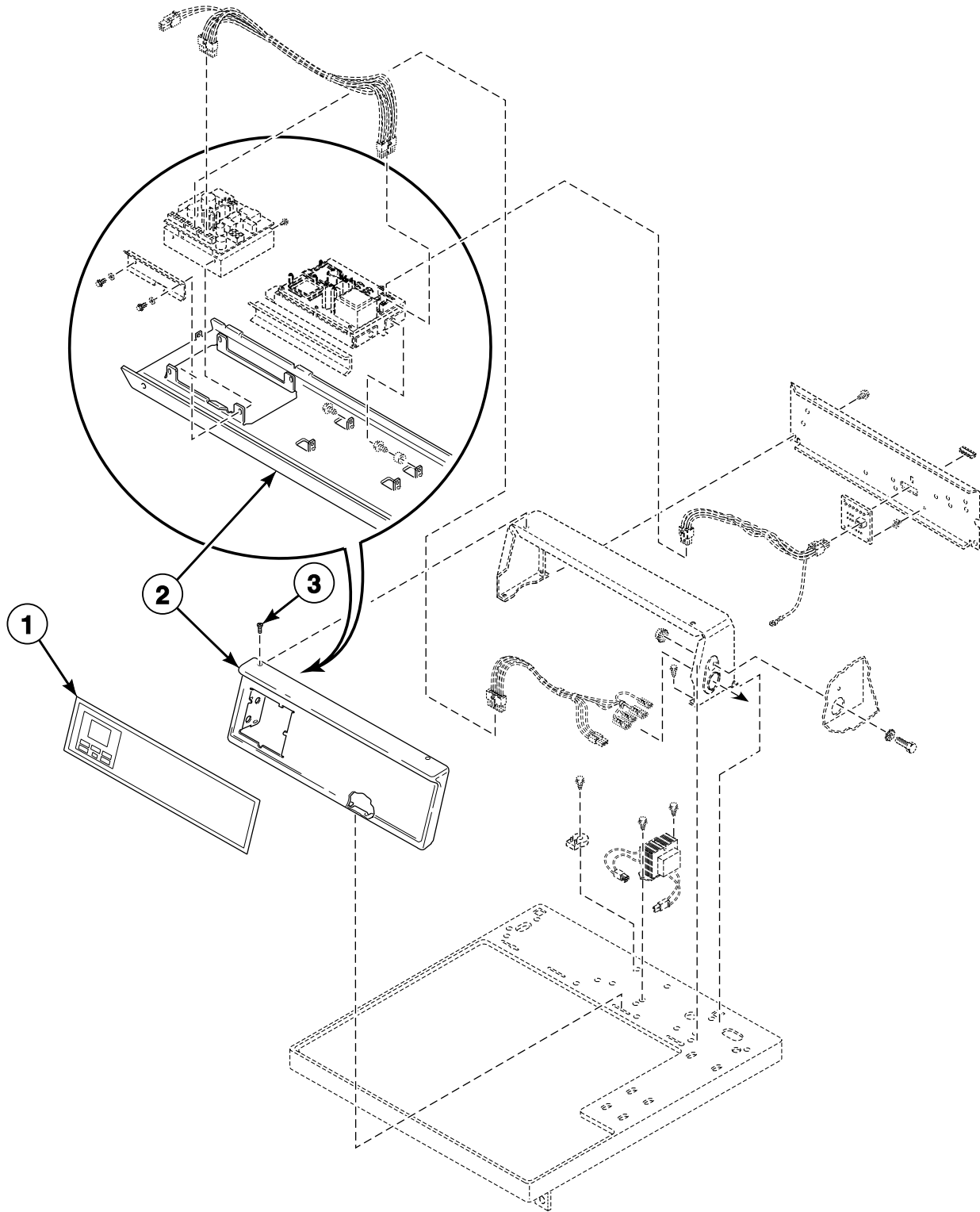
Control Panel and Controls - Electronic Rear Control Models

REF	PART NO.	DESCRIPTION	COMMENTS
1	M414050P	Control Kit	120 Volt; Includes item 2
2	501524	Screw	
3	502567W	Control Hood	White
	502567L	Control Hood	Almond
	502567Q	Control Hood	Bisque
4	501086	Screw	
5	505798	Hood Back Plate	
6	M400017	Washer	
7	02916	Screw	
8	39955P	Meter Case Wire Harness Kit	Models SDE407*F, SDE407*F1500, SDE507*F, SDE507*F1500, SDG409*F and SDG509*F
9	504113	Graphic Overlay	
10	501359W	Control Panel	White
	501359Q	Control Panel	Bisque
11	52864	Screw	Phillips head
	35528	Screw	Torx head; Optional for added security
12	52566	Nut	

* Add Letter To Designate Color. L - Almond Q - Bisque W - White

Control Panel - Rear Control Coin Drop and Card Ready Models

Models BDET07*F, BDEX07*F, BDGT09*F, HDEB07*J99L1, HDEB07*J99L2, HDET07*F, HDET07*F1500, HDEZ07*F, HDEZ07*F1500, HDGB09*J99L1, HDGT09*F, HDGZ09*F, SDEA07*J, SDEA07*J1500, SDEB07*J, SDEB07*J1500, SDEBCRGS171TW02, SDEBXRGS171TW02, SDEC07*J, SDEH07*J, SDEH07*J1500, SDET07*F, SDET07*F1500, SDEX07*F, SDEX07*F1500, SDEZ07*F, SDEZ07*F1500, SDGA09*J, SDGB09*J, SDGBCRGS111TW02, SDGBXRGS111TW02, SDGC09*J, SDGH09*J, SDGT09*F, SDGX09*F and SDGZ09*F



DRY1904P_510298

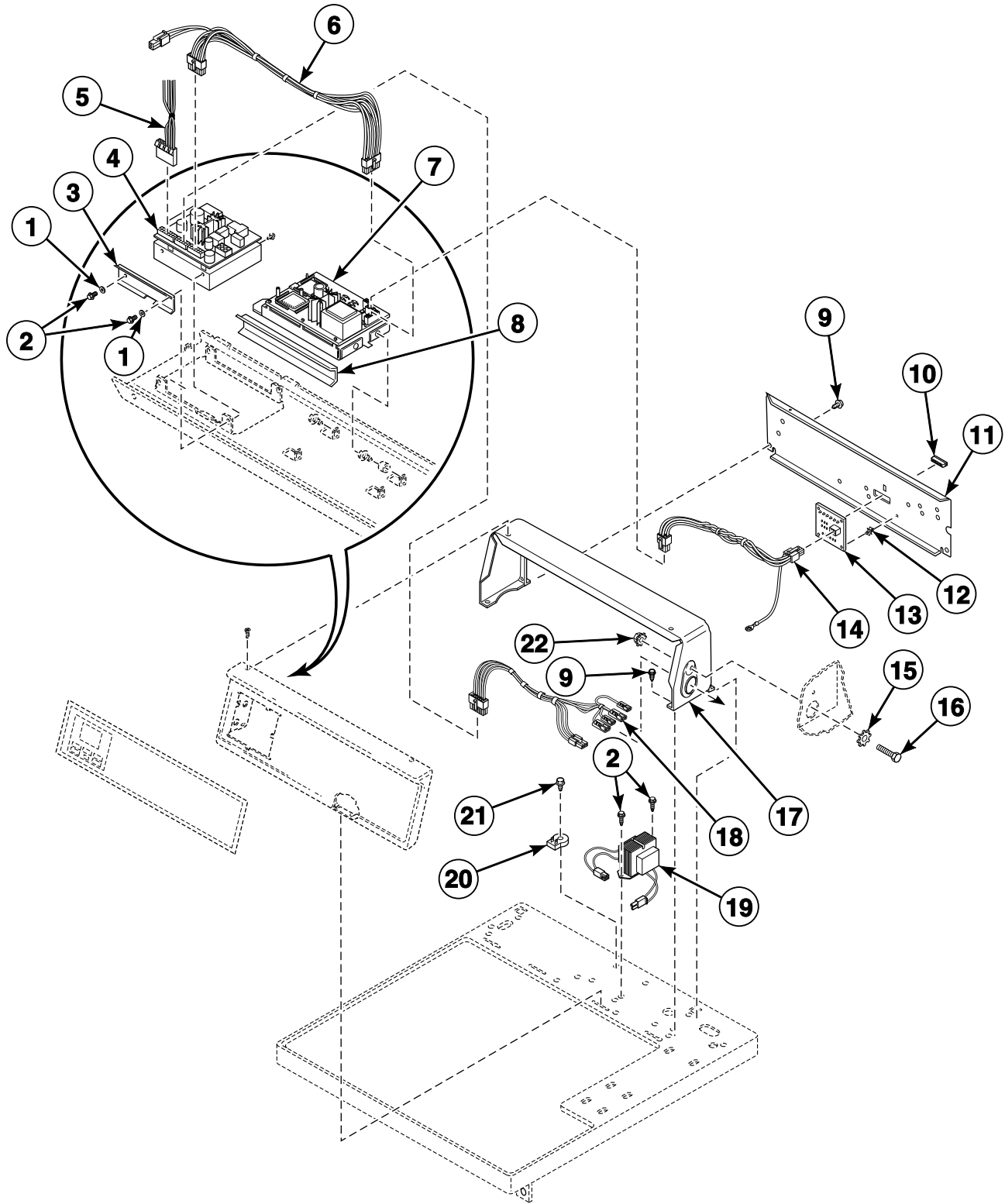
Control Panel - Rear Control Coin Drop and Card Ready Models

REF	PART NO.	DESCRIPTION	COMMENTS
1	513036	MDC Overlay	Models BDET07*F, BDEX07*F and BDGT09*F
	511233	Graphic Overlay	Models HDEB07*J99L1, HDEB07*J99L2 and HDGB09*J99L1
	510070	Graphic Overlay	Models SDEA07*J, SDEA07*J1500, SDEB07*J, SDEB07*J1500, SDEC07*J, SDEH07*J, SDEH07*J1500, SDGA09*J, SDGB09*J, SDGC09*J and SDGH09*J
	511431	MDC Overlay	Models HDET07*F, HDET07*F1500, HDEZ07*F, HDEZ07*F1500, HDGT09*F and HDGZ09*F
	511429	MDC Overlay	Models SDEBCRGS171TW02, SDEBXRGS171TW02, SDET07*F, SDET07*F1500, SDEX07*F, SDEX07*F1500, SDEZ07*F, SDEZ07*F1500, SDGBCRGS111TW02, SDGBXRGS111TW02, SDGT09*F, SDGX09*F and SDGZ09*F
2	510067W	Control Panel	White
	510067L	Control Panel	Almond
	510067Q	Control Panel	Bisque
3	52864	Screw	Phillips head
	35528	Screw	Torx head

* Add Letter To Designate Color. L - Almond Q - Bisque W - White

Controls - Rear Control Coin Drop and Card Ready Models

Models BDET07*F, BDEX07*F, BDGT09*F, HDEB07*J99L1, HDEB07*J99L2, HDET07*F, HDET07*F1500, HDEZ07*F, HDEZ07*F1500, HDGB09*J99L1, HDGT09*F, HDGZ09*F, SDEA07*J, SDEA07*J1500, SDEB07*J, SDEB07*J1500, SDEBCRGS171TW02, SDEBXRGS171TW02, SDEC07*J, SDEH07*J, SDEH07*J1500, SDET07*F, SDET07*F1500, SDEX07*F, SDEX07*F1500, SDEZ07*F, SDEZ07*F1500, SDGA09*J, SDGB09*J, SDGBCRGS111TW02, SDGBXRGS111TW02, SDGC09*J, SDGH09*J, SDGT09*F, SDGX09*F and SDGZ09*F



DRY2043P_510298

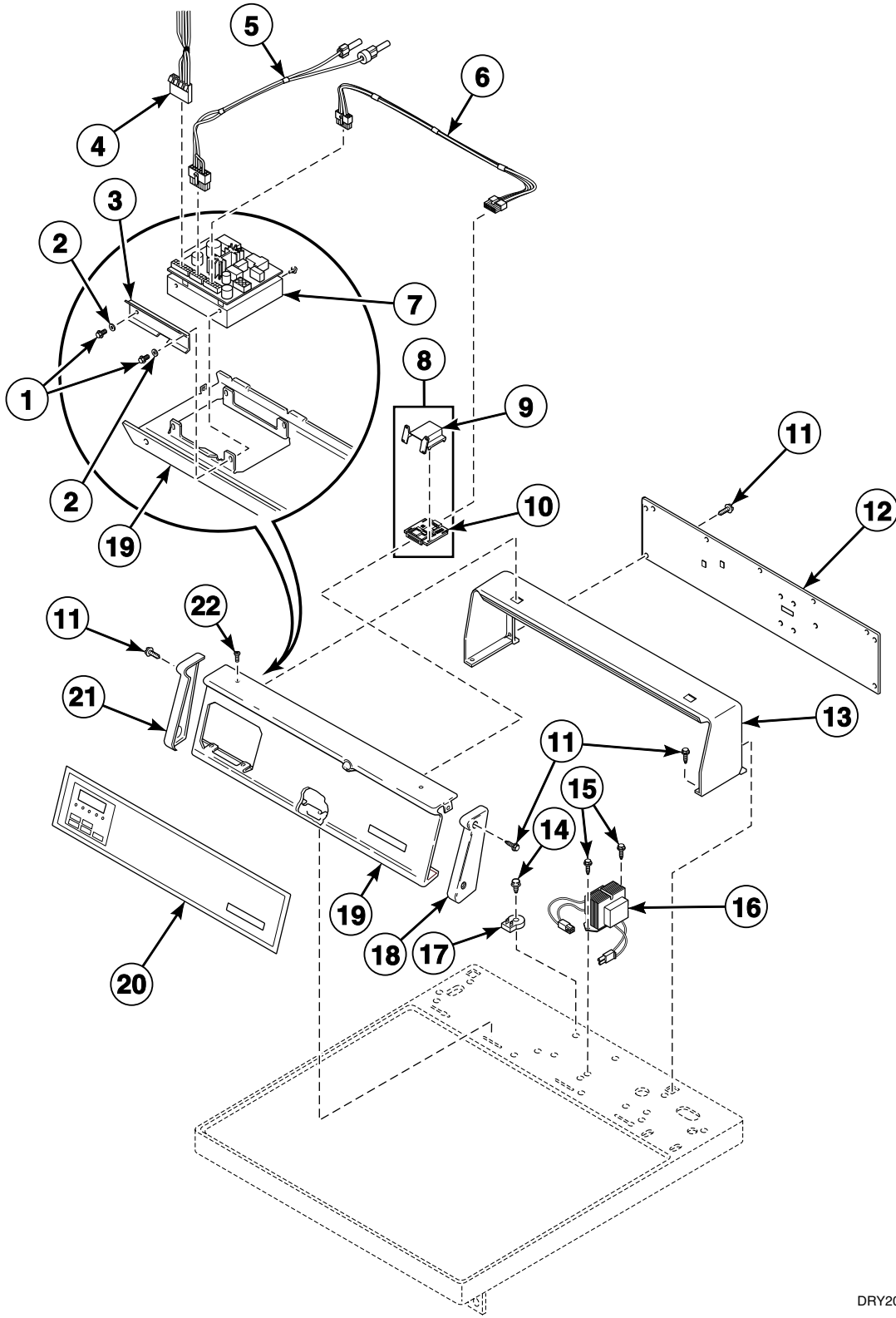
Controls - Rear Control Coin Drop and Card Ready Models

REF	PART NO.	DESCRIPTION	COMMENTS
	905P3	Security Kit	Secures front panel to rear panel
1	200608	Washer	
2	503688	Screw	
3	N/A	Control Shield	
4	505905P	Control Kit	Models HDEB07*J99L1, HDEB07*J99L2, HDGB09*J99L1, SDEA07*J, SDEA07*J1500, SDEB07*J, SDEB07*J1500, SDEH07*J, SDEH07*J1500, SDGA09*J, SDGB09*J and SDGH09*J
	511867P	Control Assembly	All other models
5	800725	Remote Vend Wire Harness Assembly	From NetMaster control to customer supplied pay unit; Models HDEB07*J99L1, HDEB07*J99L2, HDGB09*J99L1, SDEA07*J, SDEA07*J1500, SDEB07*J, SDEB07*J1500, SDEC07*J, SDEH07*J, SDEH07*J1500, SDGA09*J, SDGB09*J, SDGC09*J and SDGH09*J
	511478	Central Pay Harness	From MDC control to customer supplied pay unit; All other models
6	800217	Network Wire Harness Assembly	Models SDEH07*J, SDEH07*J1500 and SDGH09*J
7	210016P	Network Board Assembly	Models SDEH07*J, SDEH07*J1500 and SDGH09*J
8	36105	Electronic Control Shield	Models SDEH07*J, SDEH07*J1500 and SDGH09*J
9	501086	Screw	
10	210099	Communication Connector	Models SDEH07*J, SDEH07*J1500 and SDGH09*J
11	505798	Hood Back Plate	
12	210098	PC Board Standoff	Models SDEH07*J, SDEH07*J1500 and SDGH09*J
13	210095P	Communication Board	Models SDEH07*J, SDEH07*J1500 and SDGH09*J
14	800219	Communication Wire Harness Assembly	Models SDEH07*J, SDEH07*J1500 and SDGH09*J
15	M400017	Washer	
16	02916	Screw	
17	502567W	Control Hood	White
	502567L	Control Hood	Almond
	502567Q	Control Hood	Bisque
18	802904P	Harness Assembly	All models except SDEA07*J, SDEA07*J1500, SDEBXRGS171TW02, SDEC07*J, SDEX07*F, SDEX07*F1500, SDGA09*J, SDGBXRGS111TW02, SDGC09*J and SDGX09*F
	802905	Harness Assembly	Models BDEX07*F, SDEA07*J, SDEA07*J1500, SDEBXRGS171TW02, SDEX07*F, SDEX07*F1500, SDGA09*J, SDGBXRGS111TW02 and SDGX09*F
19	803527P	Transformer	Models through Serial No. 0409; Models SDEA07*J, SDEA07*J1500, SDEC07*J, SDEX07*F, SDEX07*F1500, SDGA09*J, SDGC09*J and SDGX09*F
	201375P	Transformer	Some models may have jumper wire attached to transformer. Discard jumper wire when replacing transformer; Models starting Serial No. 0409; Models BDEX07*F, SDEA07*J, SDEA07*J1500, SDEBXRGS171TW02, SDEC07*J, SDEX07*F, SDEX07*F1500, SDGA09*J, SDGBXRGS111TW02, SDGC09*J and SDGX09*F
	210018P	Transformer	All other models
20	210100	Resistor	
21	503661	Screw	
22	52566	Nut	

* Add Letter To Designate Color. L - Almond Q - Bisque W - White
 N/A = Part no longer available

Control Panel and Controls - Rear Control Card Models

Models BDEBYRGS171TW01, BDGBYRGS111TW01, HDEY07*F, HDEY07*F1500, HDGY09*F, SDEF07*J, SDEF07*J1500, SDEY07*F, SDEY07*F1500, SDGF09*J and SDGY09*F



DRY2044P_510298

Control Panel and Controls - Rear Control Card Models

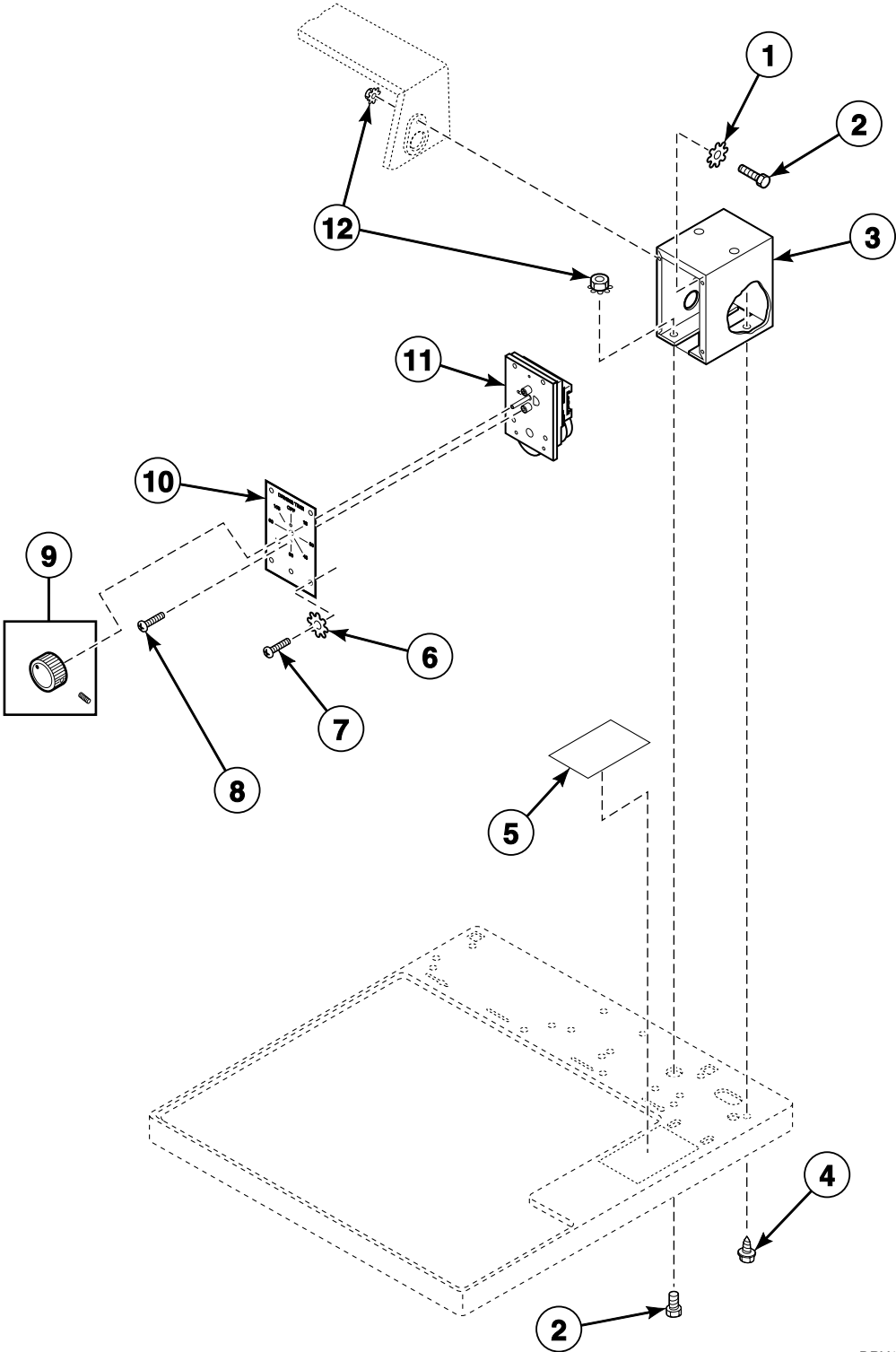
REF	PART NO.	DESCRIPTION	COMMENTS
1	23222	Screw	
2	200608	Washer	
3	N/A	Control Shield	
4	800725	Remote Vend Wire Harness Assembly	From NetMaster control to customer supplied pay unit; Models SDEF07*J, SDEF07*J1500 and SDGF09*J
	511478	Central Pay Harness	From MDC control to customer supplied pay unit; All other models
5	800680	Diagnostic Wire Harness Assembly	
6	800125P	Card Reader Wire Harness Assembly	Models SDEF07*J, SDEF07*J1500 and SDGF09*J
7	511867P	Control Assembly	Models BDEBYRGS171TW01, BDGBYRGS111TW01, HDEY07*F, HDEY07*F1500, HDGY09*F, SDEY07*F, SDEY07*F1500 and SDGY09*F
	505905P	Control Kit	All other models
8	210045P	Card Reader Assembly	Includes items 9 and 10; Models SDEF07*J, SDEF07*J1500 and SDGF09*J
9	210023	Card Reader Bracket	Models SDEF07*J, SDEF07*J1500 and SDGF09*J
10	510068P	Card Reader and Bracket Assembly	Models SDEF07*J, SDEF07*J1500 and SDGF09*J
11	501086	Screw	
12	511254	Rear Panel	
13	511253W	Control Hood	White
	511253L	Control Hood	Almond
	511253Q	Control Hood	Bisque
14	503661	Screw	
15	503688	Screw	
16	803527P	Transformer	Models through Serial No. 0409; Models BDEBYRGS171TW01, BDGBYRGS111TW01, HDEY07*F1500, SDEY07*F, SDEY07*F1500 and SDGY09*F
	201375P	Transformer	Some models may have jumper wire attached to transformer. Discard jumper wire when replacing transformer; Models starting Serial No. 0409; Models BDEBYRGS171TW01, BDGBYRGS111TW01, HDEY07*F1500, SDEY07*F, SDEY07*F1500 and SDGY09*F
	210018P	Transformer	All other models
17	210100	Resistor	
18	210108W	End Cap	Right
19	511055W	Control Panel	White
	511055L	Control Panel	Almond
	511055Q	Control Panel	Bisque
20	510113	Graphic Overlay	Models SDEF07*J, SDEF07*J1500 and SDGF09*J
	511508	Control Panel Overlay	Models HDEY07*F, HDEY07*F1500 and HDGY09*F
	511507	Overlay	Models SDEY07*F, SDEY07*F1500 and SDGY09*F
	514274	Overlay	Models BDEBYRGS171TW01 and BDGBYRGS111TW01
21	210109W	End Cap	Left
22	52864	Screw	Phillips head
	35528	Screw	Torx head

* Add Letter To Designate Color. L - Almond Q - Bisque W - White

N/A = Part no longer available

Timer and Timer Case - Nonmetered Rear Control Models

Models HDE007*F, HDG009*F, SDE007*F, SDE007*F1500, SDG009*F, UDE007*F and UDG009*F



DRY1796P_510298

Timer and Timer Case - Nonmetered Rear Control Models

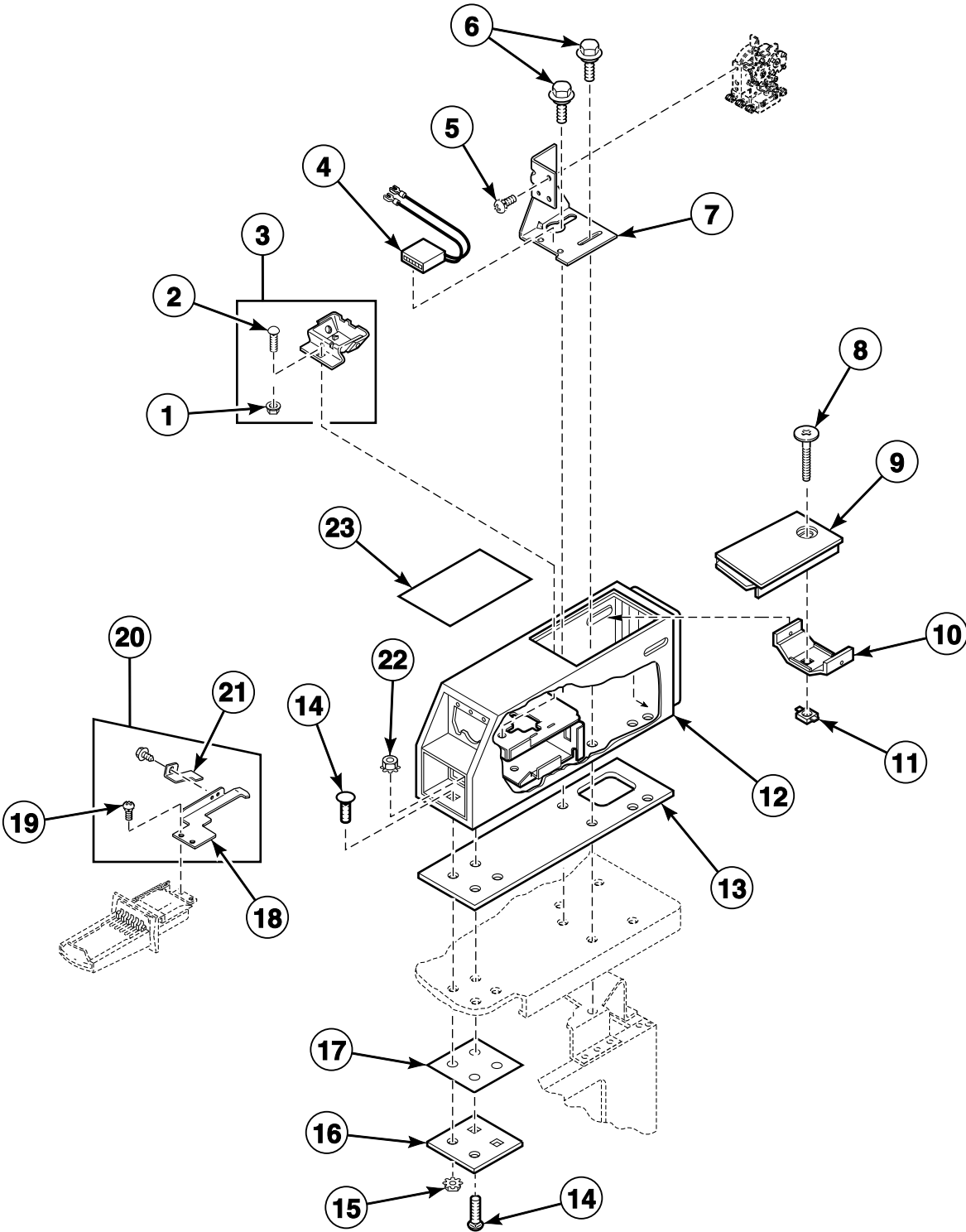
REF	PART NO.	DESCRIPTION	COMMENTS
1	M400017	Washer	
2	02916	Screw	
3	37733W	Timer Case Assembly	
4	501086	Screw	
5	500490	Instruction Plate	
6	21734	Washer	
7	51778	Screw	
8	27328	Screw	
9	54678	Timer Knob	
10	500921W	Timer Plate Assembly	
11	510524P	Timer	120 Volt/60 Hertz
12	29786	Nut	

* Add Letter To Designate Color. L - Almond Q - Bisque W - White

Short Vault Coin Slide Extension and Meter Case - Coin Slide Rear Control Models

Models Through Serial No. 0210004099

Models HDE107*F, HDG109*F, SDE107*F, SDE107*F1500, SDE107*F1724, SDE107*F99L6, SDE107*F99L7, SDE307*F, SDE307*F1500, SDG109*F, SDG109*F1124, SDG109*F99L6, SDG109*F99L7 and SDG309*F



DRY1888P_510298

Short Vault Coin Slide Extension and Meter Case - Coin Slide Rear Control Models

REF	PART NO.	DESCRIPTION	COMMENTS
1	29796	Nut	
2	29651	Bolt	
3	523P3	Coin Funnel Kit	Includes items 1 and 2
4	62113P	Counter Kit	Models SDE307*F, SDE307*F1500 and SDG309*F
5	03203	Screw	
6	502431	Screw	
7	N/A	Timer Bracket	
8	503673	Screw	
9	39874WP	Service Door Assembly	White
	39874LP	Service Door Assembly	Almond
	39874QP	Service Door Assembly	Bisque
10	30642	Meter Case Locking Bracket	
11	30647	Nut	
12	524P3W	Meter Case and Funnel Kit	White; Includes items 3 and 13-17; Replaces 56944* and 57368* Meter Cases
	524P3L	Meter Case and Funnel Kit	Almond; Includes items 3 and 13-17; Replaces 56944* and 57368* Meter Case
	524P3Q	Meter Case and Funnel Kit	Bisque; Includes items 3 and 13-17; Replaces 56944* and 57368* Meter Case
13	26354	Meter Case Gasket	
14	02505	Bolt	
15	29786	Nut	
16	35525	Meter Case Lockdown Bracket	
17	35526	Meter Case Bracket Gasket	
18	503733	Coin Slide Extension	
19	N/A	Screw	
20	553P3	Slide Extension Kit	Includes items 18, 19 and 21
21	501796	Slide Extension Modifier	
22	29786	Nut	
23	500628	Instruction Label	

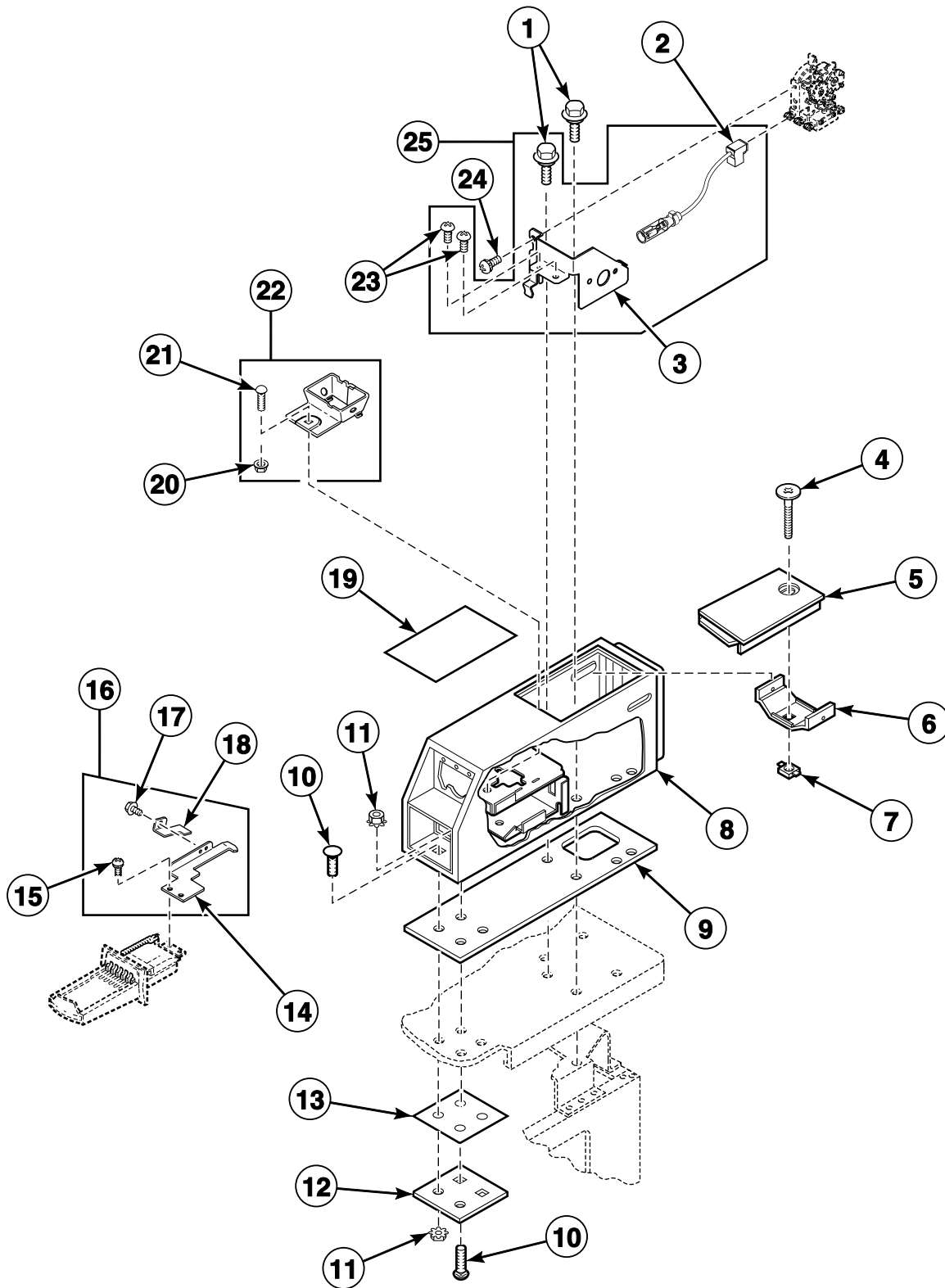
* Add Letter To Designate Color. L - Almond Q - Bisque W - White

N/A = Part no longer available

Long Vault Coin Slide Extension and Meter Case - Coin Slide Rear Control Models

Models Starting Serial No. 0210004100

Models HDE107*F, HDG109*F, SDE107*F, SDE107*F1500, SDE107*F1724, SDE107*F99L6, SDE107*F99L7, SDE307*F, SDE307*F1500, SDG109*F, SDG109*F1124, SDG109*F99L6, SDG109*F99L7 and SDG309*F



DRY1801P_510298

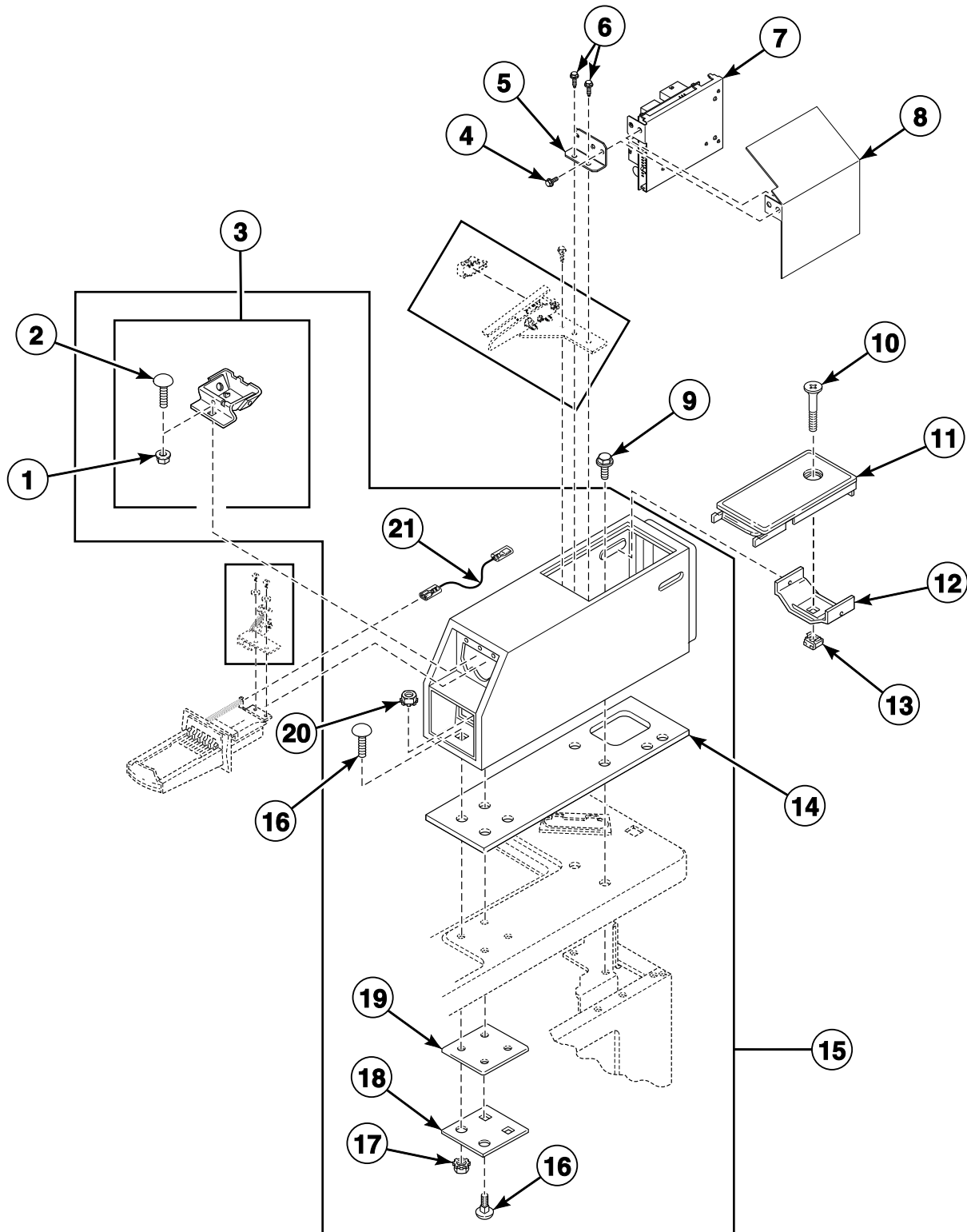
Long Vault Coin Slide Extension and Meter Case - Coin Slide Rear Control Models

REF	PART NO.	DESCRIPTION	COMMENTS
	201280P	Mechanical Counter Kit Assembly	
1	36048	Screw	
2	511589	Wire Accumulator Assembly	
3	200832	Long Vault Timer Bracket	
4	503673	Screw	
5	39874WP	Service Door Assembly	White
	39874LP	Service Door Assembly	Almond
	39874QP	Service Door Assembly	Bisque
6	30642	Meter Case Locking Bracket	
7	30647	Nut	
8	201010WP	Meter Case Kit	White; Includes items 9-13 and 22
	201010LP	Meter Case Kit	Almond; Includes items 9-13 and 22
	201010QP	Meter Case Kit	Bisque; Includes items 9-13 and 22
9	26354	Meter Case Gasket	
10	02505	Bolt	
11	29786	Nut	
12	35525	Meter Case Lockdown Bracket	
13	35526	Meter Case Bracket Gasket	
14	506114	Coin Slide Extension	
15	511419	Screw	
16	788P3	Long Vault Slide Extension Kit	Includes items 14, 15, 17 and 18
17	501086	Screw	
18	501796	Slide Extension Modifier	
19	500628	Instruction Label	
20	29796	Nut	
21	29651	Bolt	
22	523P3	Coin Funnel Kit	Includes items 20 and 21
23	503688	Screw	
24	03203	Screw	
25	789P3	Long Vault Timer Bracket Kit	Includes items 1-3 and 23

* Add Letter To Designate Color. L - Almond Q - Bisque W - White

Control, Meter Case and Service Door - Coin Slide Rear Control Models

Models BDE907*F, HDE907*F, HDG909*F, JDE907*F, JDG909*F, SDE907*F, SDE907*F1500, SDE907*F1724,
SDESXRGs171TW02, SDG909*F, SDG909*F1124 and SDGSXRGs111TW02



DRY2274P_510298

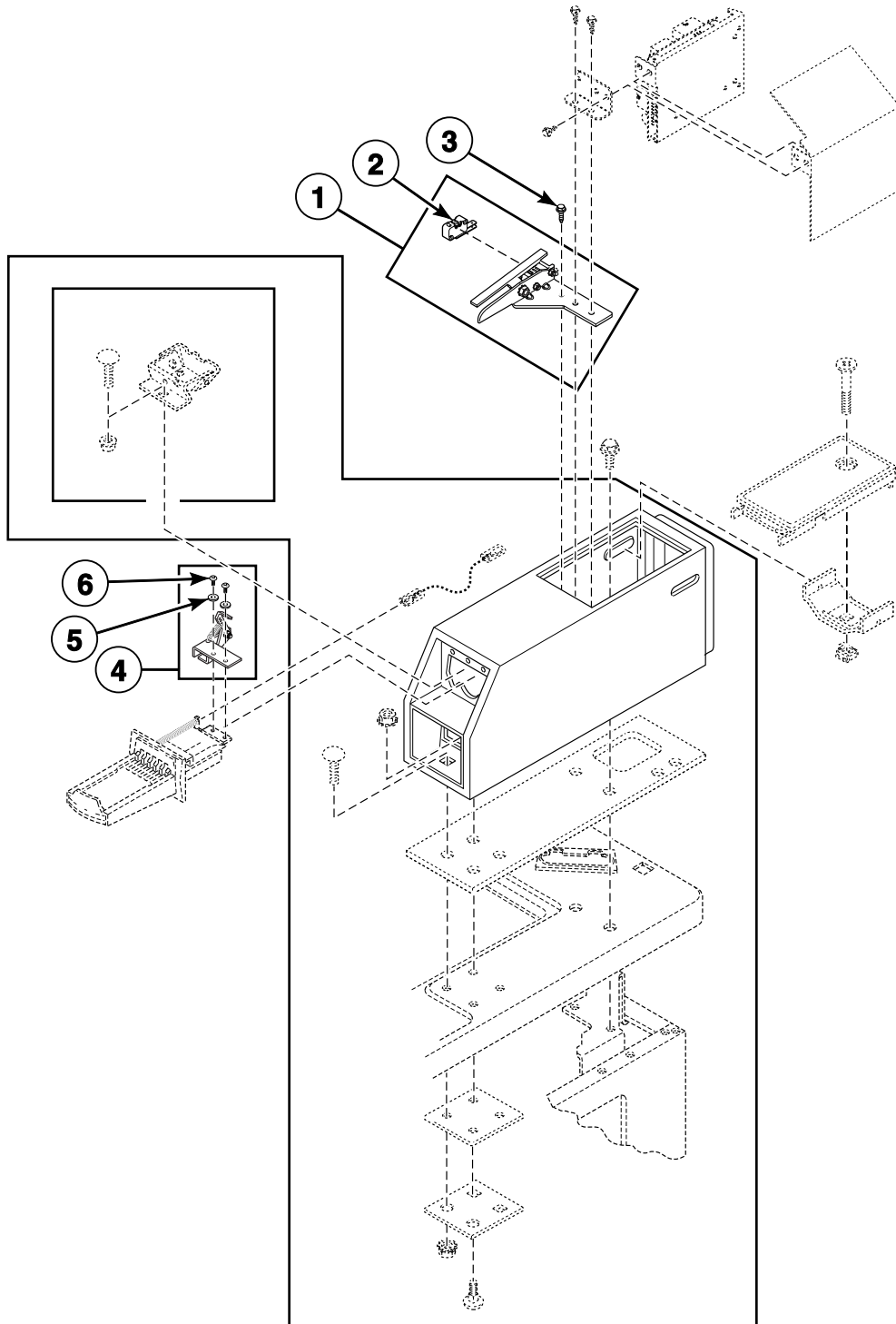
Control, Meter Case and Service Door - Coin Slide Rear Control Models

REF	PART NO.	DESCRIPTION	COMMENTS
1	29796	Nut	
2	29651	Bolt	All models except SDESXRG111TW02 and SDGSXRG111TW02 through Serial No. 1009024164
3	523P3	Coin Funnel Kit	All models except SDESXRG111TW02 and SDGSXRG111TW02 through Serial No. 1009024164
4	501524	Screw	
5	201581	Chassis Mounting Bracket	
6	503688	Screw	
7	513139P	Control Assembly	
8	512304	Control Shield	
9	36048	Screw	
10	503673	Screw	All models except SDESXRG111TW02 and SDGSXRG111TW02 through Serial No. 1009024164
11	803043WP	Service Door Assembly	Models SDESXRG111TW02 and SDGSXRG111TW02 through Serial No. 1009024164
	39874WP	Service Door Assembly	White; All other models
	39874QP	Service Door Assembly	Bisque; All other models
12	30642	Meter Case Locking Bracket	All models except SDESXRG111TW02 and SDGSXRG111TW02 through Serial No. 1009024164
13	30647	Nut	All models except SDESXRG111TW02 and SDGSXRG111TW02 through Serial No. 1009024164
14	26354	Meter Case Gasket	
15	803074W	Meter Case Assembly	Models SDESXRG111TW02 and SDGSXRG111TW02 through Serial No. 1009024164
	803575W	Meter Case Assembly	Models SDESXRG111TW02 and SDGSXRG111TW02 starting Serial No. 1009024165
	803578P	Coin Box Extension Kit	Use with 803575W Meter Case to extend shorter 7 inch coin boxes; Models SDESXRG111TW02 and SDGSXRG111TW02 starting Serial No. 1009024165
	201010WP	Meter Case Kit	White; Includes items 3, 16 and 18-22; All other models
	201010QP	Meter Case Kit	Bisque; Includes items 3, 16 and 18-22; All other models
16	02505	Bolt	
17	29786	Nut	
18	35525	Meter Case Lockdown Bracket	
19	35526	Meter Case Bracket Gasket	
20	802337	Nut	
21	513131	Jumper Assembly	Models SDESXRG111TW02 and SDGSXRG111TW02; Hood harness to coin slide switch

* Add Letter To Designate Color. L - Almond Q - Bisque W - White

Coin Slide Extension Through Serial No. 1211 - Coin Slide Rear Control Models

Models BDE907*F, HDE907*F, HDG909*F, JDE907*F, JDG909*F, SDE907*F, SDE907*F1500, SDE907*F1724, SDESXRGs171TW02, SDG909*F, SDG909*F1124 and SDGSXRGs111TW02



DRY2274PA_510298

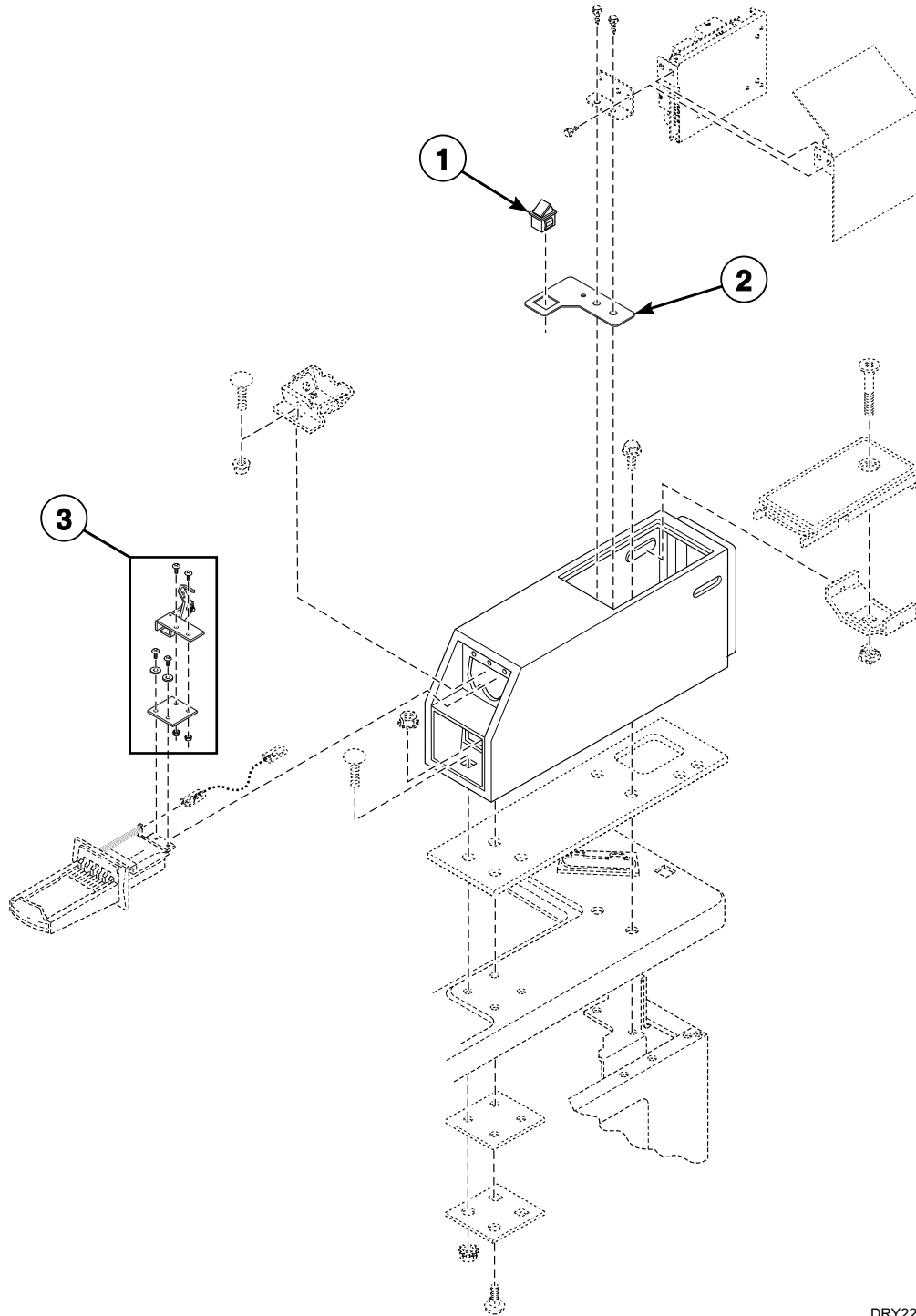
Coin Slide Extension Through Serial No. 1211 - Coin Slide Rear Control Models

REF	PART NO.	DESCRIPTION	COMMENTS
1	201917P	Switch Mount Assembly	Some models may have a 3/16 inch spade terminal on the coin slide switch; When replacing switch mount assembly on these models, the control wire harness must also be replaced; All models except SDESXRG171TW02 and SDGSXRG111TW02 through Serial No. 1009024164
2	201952	Switch	Some models may have a 3/16 inch spade terminal on the coin slide switch; When replacing switch mount assembly on these models, the control wire harness must also be replaced; All models except SDESXRG171TW02 and SDGSXRG111TW02 through Serial No. 1009024164
3	51782	Screw	All models except SDESXRG171TW02 and SDGSXRG111TW02 through Serial No. 1009024164
4	201915	Slide Extension Kit	All models except SDESXRG171TW02 and SDGSXRG111TW02 through Serial No. 1009024164
5	03815	Washer	All models except SDESXRG171TW02 and SDGSXRG111TW02 through Serial No. 1009024164
6	27328	Screw	All models except SDESXRG171TW02 and SDGSXRG111TW02 through Serial No. 1009024164

* Add Letter To Designate Color. L - Almond Q - Bisque W - White

Coin Slide Extension Starting Serial No. 1211 - Coin Slide Rear Control Models

Models BDE907*F, HDE907*F, HDG909*F, JDE907*F, JDG909*F, SDE907*F, SDE907*F1500, SDE907*F1724, SDESXRG171TW02, SDG909*F, SDG909*F1124 and SDGSXRG111TW02



DRY2275P_510298

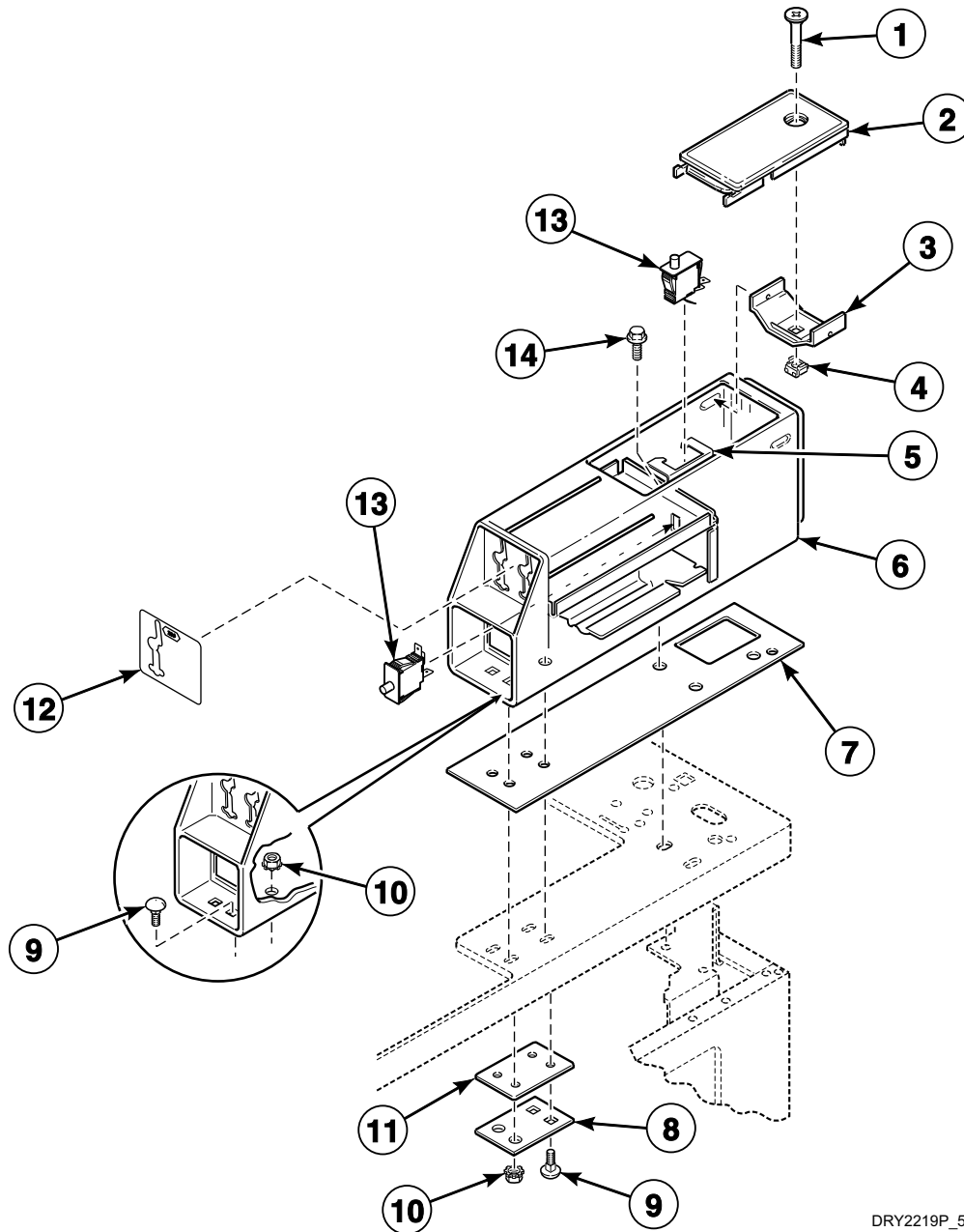
Coin Slide Extension Starting Serial No. 1211 - Coin Slide Rear Control Models

REF	PART NO.	DESCRIPTION	COMMENTS
1	431159	Switch	
2	803662	Bracket	
3	200913	Coin Slide Extension Kit	Includes items 1 and 2

* Add Letter To Designate Color. L - Almond Q - Bisque W - White

Meter Case - Rear Control Models

Models BDET07*F, BDEX07*F, BDGT09*F, HDEB07*J99L1, HDEB07*J99L2, HDET07*F, HDET07*F1500, HDEZ07*F, HDEZ07*F1500, HDGB09*J99L1, HDGT09*F, HDGZ09*F, SDE407*F, SDE407*F1500, SDE507*F, SDE507*F1500, SDEA07*J, SDEA07*J1500, SDEB07*J, SDEB07*J1500, SDEBCRGS171TW02, SDEBXRGS171TW02, SDEH07*J, SDEH07*J1500, SDET07*F, SDET07*F1500, SDEX07*F, SDEX07*F1500, SDEZ07*F, SDEZ07*F1500, SDG409*F, SDG509*F, SDGA09*J, SDGB09*J, SDGBCRGS111TW02, SDGBXRGS111TW02, SDGH09*J, SDGT09*F, SDGX09*F and SDGZ09*F



DRY2219P_510298

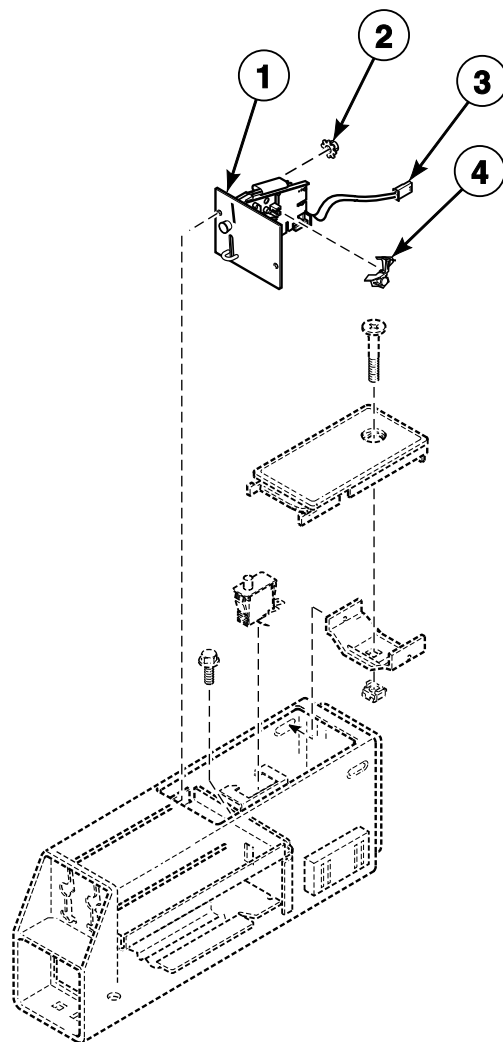
Meter Case - Rear Control Models

REF	PART NO.	DESCRIPTION	COMMENTS
1	503673	Screw	All models except SDEBCRGS171TW02, SDEBXRGS171TW02, SDGBCRGS111TW02 and SDGBXRGS111TW02 through Serial No. 1009024164
2	803043WP	Service Door Assembly	Models SDEBCRGS171TW02, SDEBXRGS171TW02, SDGBCRGS111TW02 and SDGBXRGS111TW02 through Serial No. 1009024164
	39874WP	Service Door Assembly	White; All other models
	39874LP	Service Door Assembly	Almond; All other models
	39874QP	Service Door Assembly	Bisque; All other models
3	30642	Meter Case Locking Bracket	All models except SDEBCRGS171TW02, SDEBXRGS171TW02, SDGBCRGS111TW02 and SDGBXRGS111TW02 through Serial No. 1009024164
4	30647	Nut	All models except SDEBCRGS171TW02, SDEBXRGS171TW02, SDGBCRGS111TW02 and SDGBXRGS111TW02 through Serial No. 1009024164
5	38087	Door Switch Bracket	
6	803063WP	Meter Case Assembly Kit	Models SDEBCRGS171TW02, SDEBXRGS171TW02, SDGBCRGS111TW02 and SDGBXRGS111TW02
	803578P	Coin Box Extension Kit	Use with 803063W Meter Case to extend shorter 7 inch coin boxes; Models SDEBCRGS171TW02, SDEBXRGS171TW02, SDGBCRGS111TW02 and SDGBXRGS111TW02 starting Serial No. 1009024165
	38724W	Meter Case Assembly	White; All other models
	38724L	Meter Case Assembly	Almond; All other models
	38724Q	Meter Case Assembly	Bisque; All other models
7	26354	Meter Case Gasket	
8	35525	Meter Case Lockdown Bracket	
9	02505	Bolt	
10	29786	Nut	
11	35526	Meter Case Bracket Gasket	
12	202123	Single Overlay	Models SDEBCRGS171TW02, SDEBXRGS171TW02, SDGBCRGS111TW02 and SDGBXRGS111TW02 through Serial No. 1009024164
	38717	Single Overlay	All other models
13	512973	Switch	
14	36048	Screw	

* Add Letter To Designate Color. L - Almond Q - Bisque W - White

Non-Electronic Coin Drop - Rear Control Models

Models BDET07*F, BDEX07*F, BDGT09*F, HDEB07*J99L1, HDEB07*J99L2, HDET07*F, HDET07*F1500, HDEZ07*F, HDEZ07*F1500, HDGB09*J99L1, HDGT09*F, HDGZ09*F, SDE407*F, SDE407*F1500, SDE507*F, SDE507*F1500, SDEA07*J, SDEA07*J1500, SDEB07*J, SDEB07*J1500, SDEBCRGS171TW02, SDEBXRGS171TW02, SDEH07*J, SDEH07*J1500, SDET07*F, SDET07*F1500, SDEX07*F, SDEX07*F1500, SDEZ07*F, SDEZ07*F1500, SDG409*F, SDG509*F, SDGA09*J, SDGB09*J, SDGBCRGS111TW02, SDGBXRGS111TW02, SDGH09*J, SDGT09*F, SDGX09*F and SDGZ09*F



DRY2170P_510298

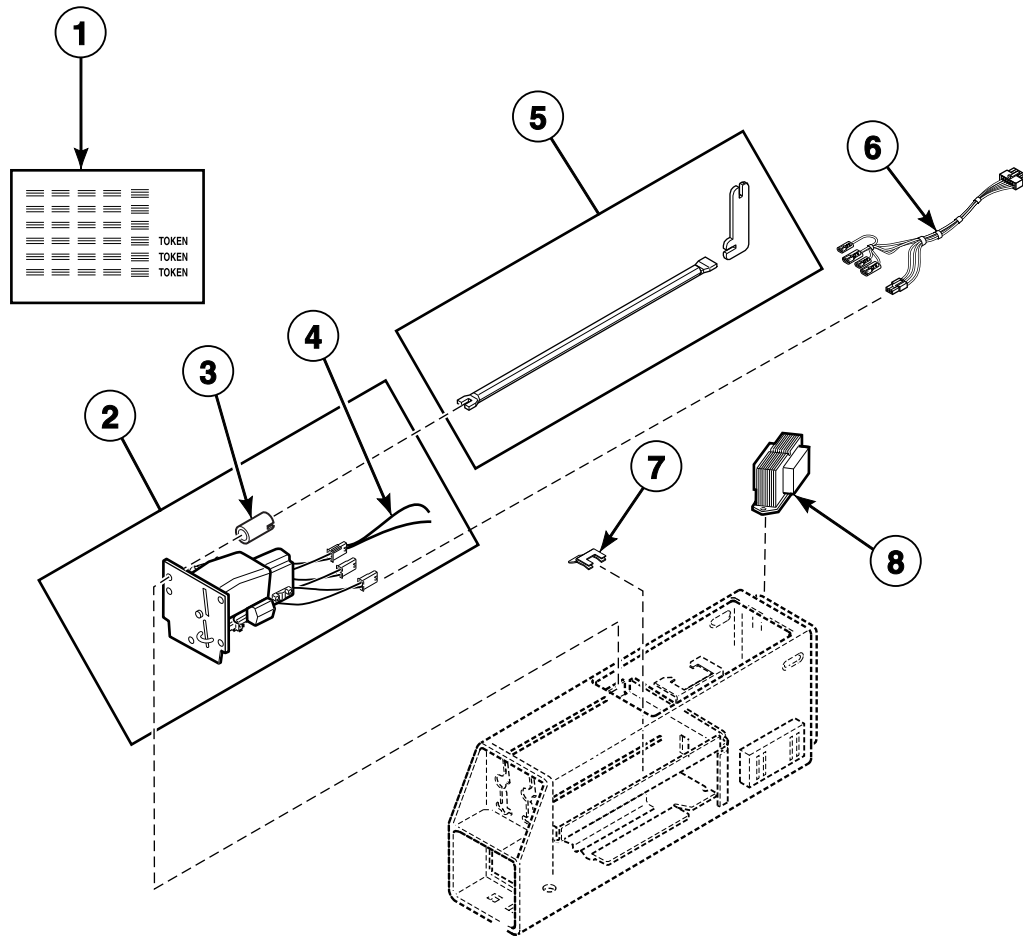
Non-Electronic Coin Drop - Rear Control Models

REF	PART NO.	DESCRIPTION	COMMENTS
1	38462P	Coin Drop Assembly	Token; 118-1 mzp
	38463	Coin Drop Assembly	Token; 118-5 mzp
	70441601P	Coin Drop	U.S.; \$.25
	38963P	Coin Drop	Token; 118-16 mzp; 5 NT
2	29786	Nut	
3	200674P	Opto Coupler	
4	201595P	Wire Guard	Anti-stringing security device; Add to coin drops beginning January 2005

* Add Letter To Designate Color. L - Almond Q - Bisque W - White

Electronic Coin Drop - Rear Control Models

Models BDET07*F, BDEX07*F, BDGT09*F, HDEB07*J99L1, HDEB07*J99L2, HDET07*F, HDET07*F1500, HDEZ07*F, HDEZ07*F1500, HDGB09*J99L1, HDGT09*F, HDGZ09*F, SDEA07*J, SDEA07*J1500, SDEB07*J, SDEB07*J1500, SDEBCRGS171TW02, SDEBXRGS171TW02, SDET07*F, SDET07*F1500, SDEX07*F, SDEX07*F1500, SDEZ07*F, SDEZ07*F1500, SDGA09*J, SDGB09*J, SDGBCRGS111TW02, SDGBXRGS111TW02, SDGT09*F, SDGX09*F and SDGZ09*F



DRY2156P_510298

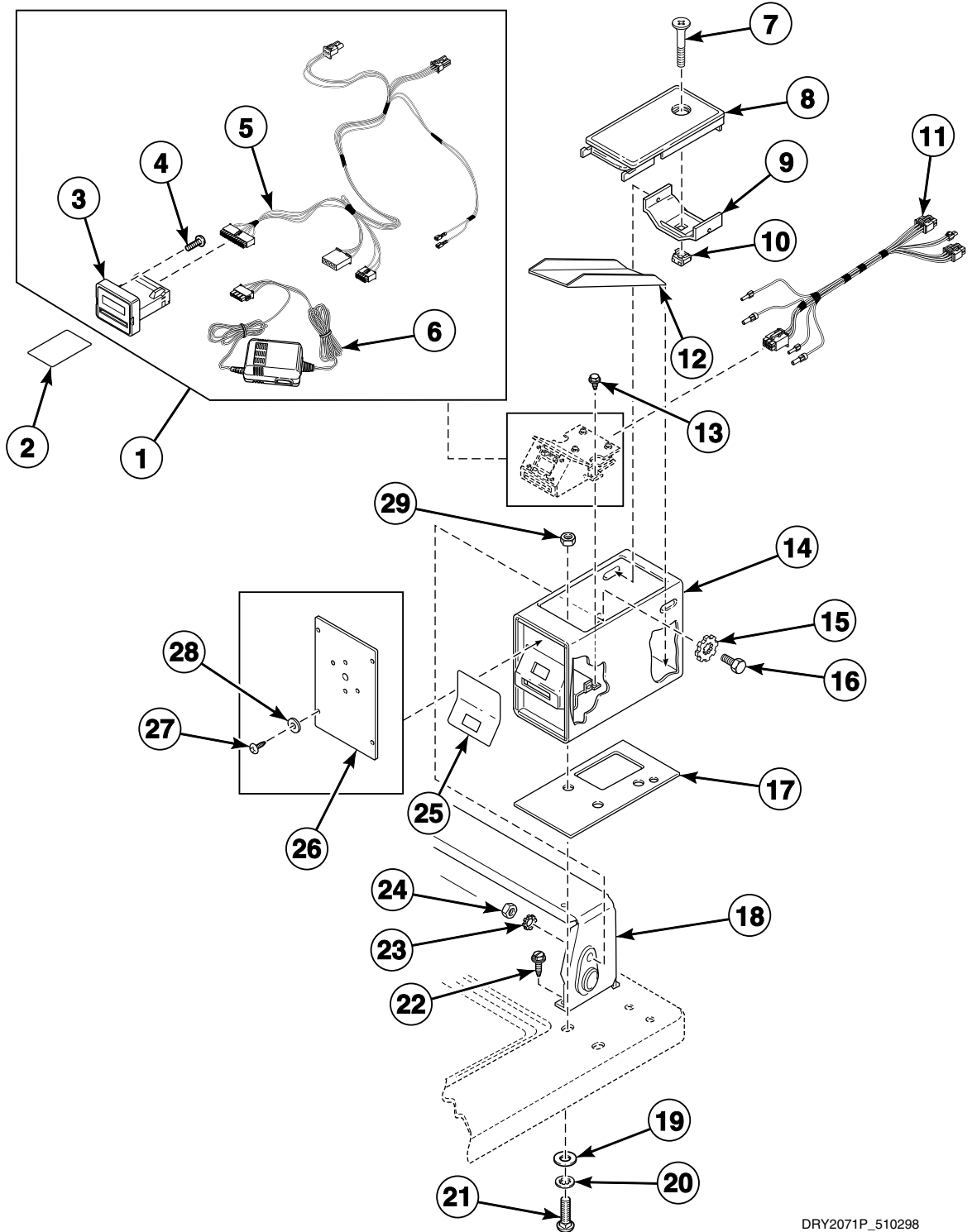
Electronic Coin Drop - Rear Control Models

REF	PART NO.	DESCRIPTION	COMMENTS
1	38725	Coin Identification Paper	
2	CK115	Electronic Coin Drop Kit	Includes items 1, 3, 4 and 7; United States and Canada coins
3	201216	Nut	
4	201104	Coin Drop Wire Harness	
5	CK096	Mounting Tool Kit	
6	802905	Harness Assembly	Electronic coin drop requires this harness. If unit is not factory-equipped with this harness, it must be ordered separately.
7	201572	Clip	
8	201375P	Transformer	Electronic coin drop requires this transformer. If unit is not factory-equipped with this transformer, it must be ordered separately.

* Add Letter To Designate Color. L - Almond Q - Bisque W - White

Card Reader and Security Case - Rear Control Models

Models SDE607*F, SDE607*F1500, SDE707*F, SDE707*F1500, SDG609*F and SDG709*F



DRY2071P_510298

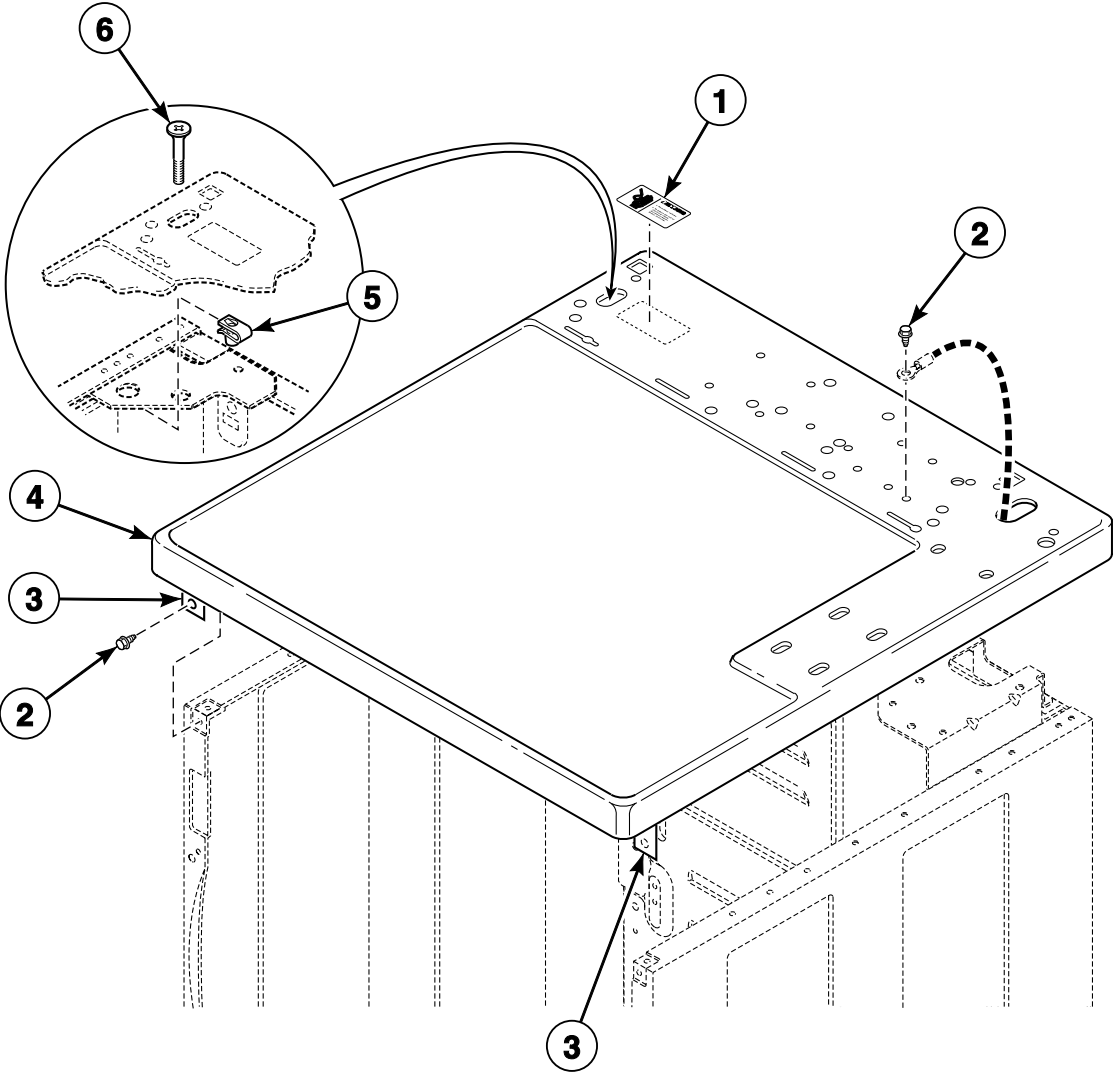
Card Reader and Security Case - Rear Control Models

REF	PART NO.	DESCRIPTION	COMMENTS
1	874P3	Card Reader Kit	Includes items 3-6 and 15; Models SDE707*F, SDE707*F1500 and SDG709*F
2	512499P	Programming Card	Models SDE707*F, SDE707*F1500 and SDG709*F
3	512473	Card Reader	Models SDE707*F, SDE707*F1500 and SDG709*F
4	512504	Screw	Models SDE707*F, SDE707*F1500 and SDG709*F
5	512501	Harness	Models SDE707*F, SDE707*F1500 and SDG709*F
6	512496	Power Supply	Models SDE707*F, SDE707*F1500 and SDG709*F
7	503673	Screw	
8	39874WP	Service Door Assembly	White
	39874LP	Service Door Assembly	Almond
	39874QP	Service Door Assembly	Bisque
9	30642	Meter Case Locking Bracket	
10	30647	Nut	
11	38191	Card Reader Wire Harness Assembly	Models SDE707*F, SDE707*F1500 and SDG709*F
12	N/A	Shield	
13	503688	Screw	Models SDE707*F, SDE707*F1500 and SDG709*F
14	38145L	Security Case Assembly	Almond; Use with 39685 Card Reader
	N/A	Security Case Assembly	White; Use with 39685 Card Reader
	37733W	Timer Case Assembly	Use with item 1; Models SDE707*F, SDE707*F1500 and SDG709*F
15	M400017	Washer	
16	02916	Screw	
17	N/A	Security Case Gasket	
18	502567W	Control Hood	White
	502567L	Control Hood	Almond
	502567Q	Control Hood	Bisque
19	23225	Washer	Vinyl
20	30627	Washer	
21	02505	Bolt	
22	23962	Screw	
23	02431	Washer	
24	52566	Nut	
25	38192	Card Reader Instruction Overlay	Models SDE707*F, SDE707*F1500 and SDG709*F
26	39481W	Timer Plate	Use with item 1; Models SDE707*F, SDE707*F1500 and SDG709*F
27	51778	Screw	Use with item 1; Models SDE707*F, SDE707*F1500 and SDG709*F
28	21734	Washer	Use with item 1; Models SDE707*F, SDE707*F1500 and SDG709*F
29	29786	Nut	

* Add Letter To Designate Color. L - Almond Q - Bisque W - White

N/A = Part no longer available

Cabinet Top - Rear Control Models



DRY1894P_510298

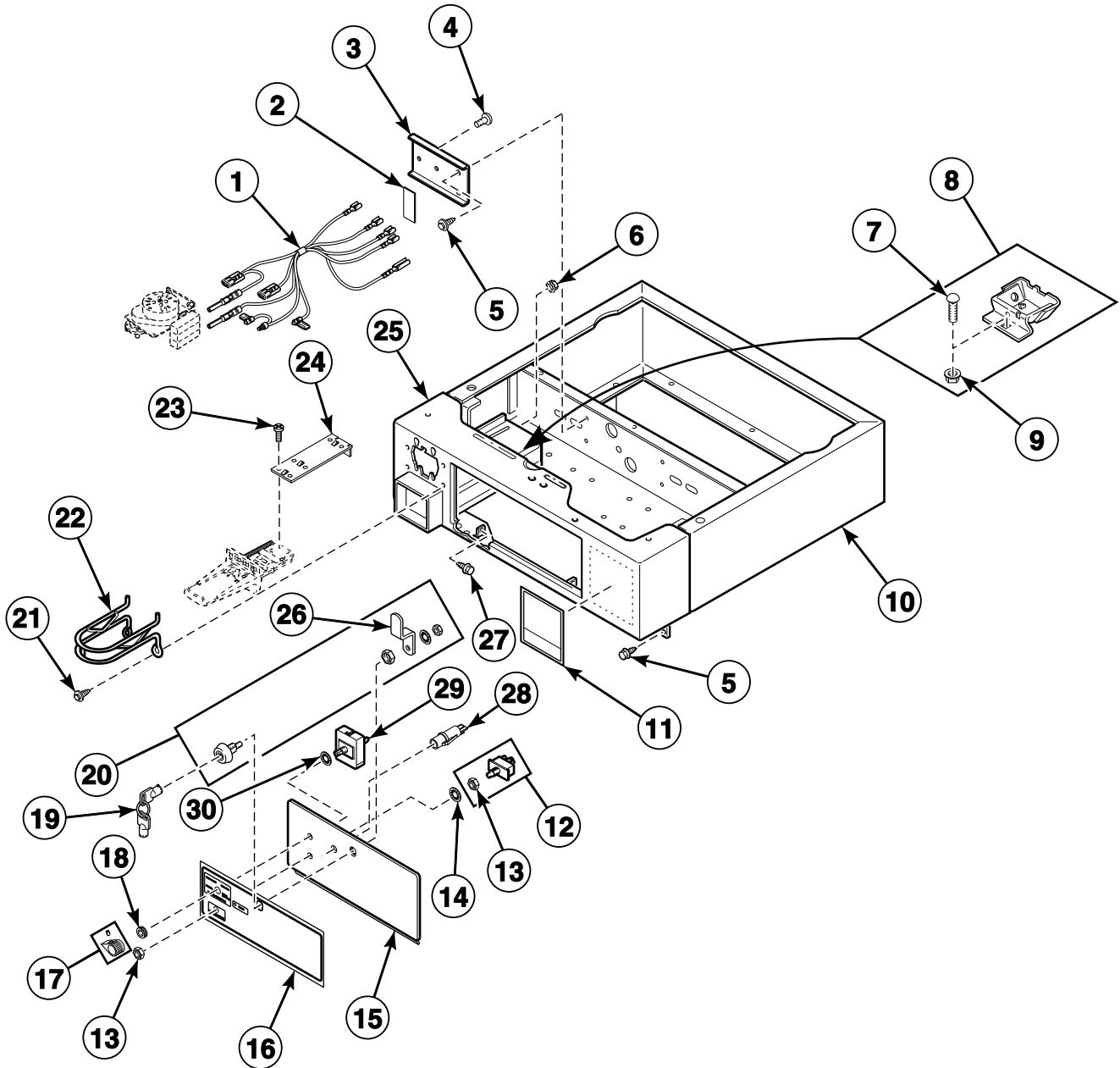
Cabinet Top - Rear Control Models

REF	PART NO.	DESCRIPTION	COMMENTS
1	505281	Disconnect Power Warning Label	
2	503688	Screw	
3	510146	Bracket	
4	511528WP	Top Kit	White; Includes item 3; Models HDE007*F, HDG009*F, SDE007*F, SDE007*F1500, SDE607*F, SDE607*F1500, SDE707*F, SDE707*F1500, SDEC07*J, SDG009*F, SDG609*F, SDG709*F, SDGC09*J, UDE007*F and UDG009*F
	511528LP	Top Kit	Almond; Includes item 3; Models HDE007*F, HDG009*F, SDE007*F, SDE007*F1500, SDE607*F, SDE607*F1500, SDE707*F, SDE707*F1500, SDEC07*J, SDG009*F, SDG609*F, SDG709*F, SDGC09*J, UDE007*F and UDG009*F
	511528QP	Top Kit	Bisque; Includes item 3; Models HDE007*F, HDG009*F, SDE007*F, SDE007*F1500, SDE607*F, SDE607*F1500, SDE707*F, SDE707*F1500, SDEC07*J, SDG009*F, SDG609*F, SDG709*F, SDGC09*J, UDE007*F and UDG009*F
	511530WP	Top Panel Kit	White; Includes item 3; Models BDE807*F, BDEBYRGS171TW01, BDGBYRGS111TW01, HDEY07*F, HDEY07*F1500, HDGY09*F, JDE807*F, JDG809*F, SDE807*F, SDE807*F1500, SDEF07*J, SDEF07*J1500, SDEY07*F, SDEY07*F1500, SDG809*F, SDGF09*J, SDGY09*F, UDE807*F and UDG809*F
	511530LP	Top Panel Kit	Almond; Includes item 3; Models BDE807*F, BDEBYRGS171TW01, BDGBYRGS111TW01, HDEY07*F, HDEY07*F1500, HDGY09*F, JDE807*F, JDG809*F, SDE807*F, SDE807*F1500, SDEF07*J, SDEF07*J1500, SDEY07*F, SDEY07*F1500, SDG809*F, SDGF09*J, SDGY09*F, UDE807*F and UDG809*F
	511527WP	Top Kit	White; Includes item 3; All other models
	511527LP	Top Kit	Almond; Includes item 3; All other models
	511527QP	Top Kit	Bisque; Includes item 3; All other models
5	27222	Nut	
6	503673	Screw	

* Add Letter To Designate Color. L - Almond Q - Bisque W - White

Control Panel and Controls - Coin Slide Ready Front Control Models

Models SFE107*F and SFG109*F



DRY2112P_510298

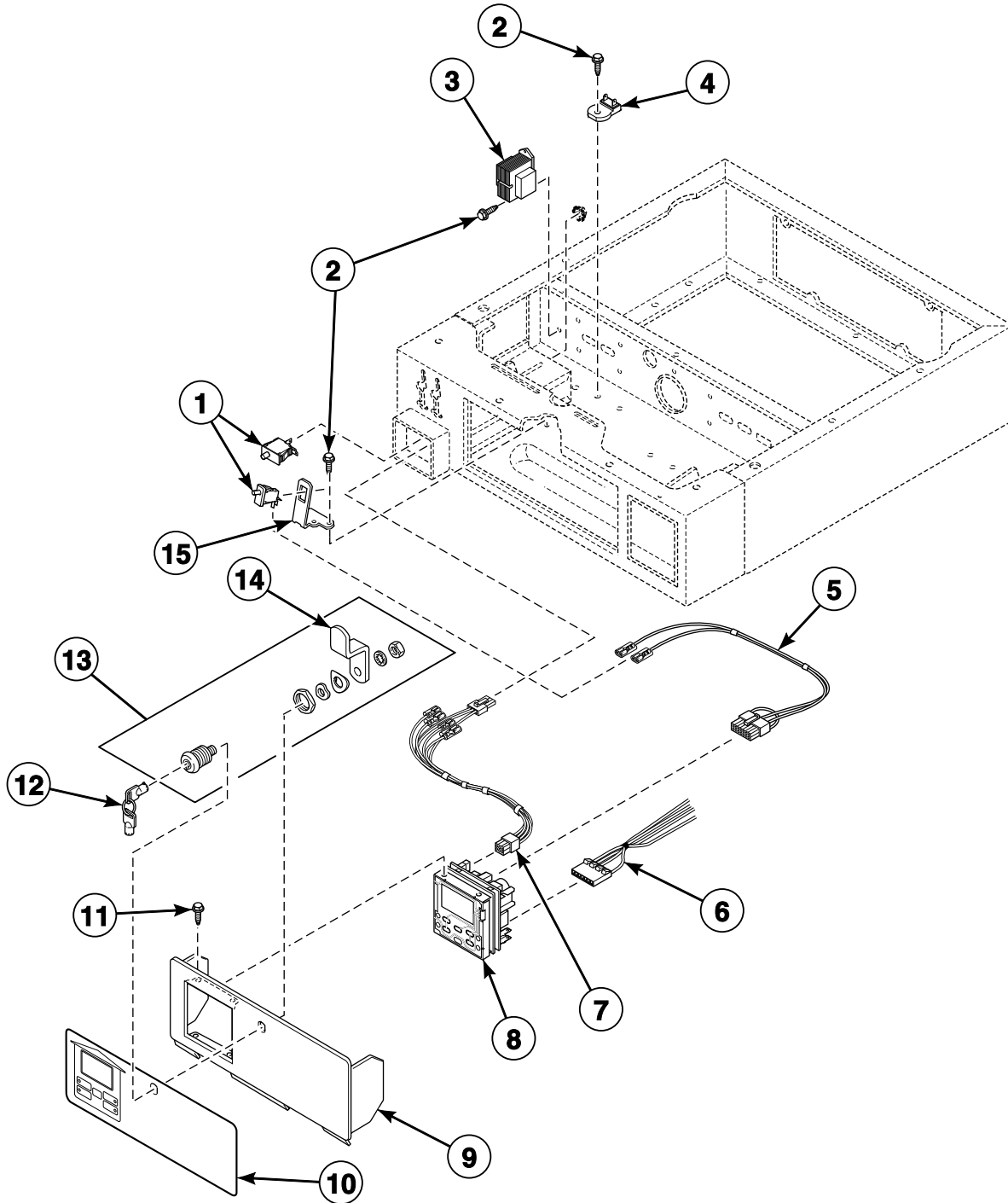
Control Panel and Controls - Coin Slide Ready Front Control Models

REF	PART NO.	DESCRIPTION	COMMENTS
1	510534P	Harness Replacement Kit	
2	56751	Shield	
3	503017	Timer Bracket	
4	03203	Screw	
5	503688	Screw	
6	80077	Nut	
7	29651	Bolt	
8	523P3	Coin Funnel Kit	Includes items 7 and 9
9	29796	Nut	
10	505753WP	Wrapper and Channel Assembly	White
	N/A	Wrapper and Channel Assembly	Almond
	505753QP	Wrapper and Channel Assembly	Bisque
11	504585	Instruction Overlay	
12	55882	Switch Assembly	
13	52947	Nut	
14	25820	Washer	
15	504447W	Control Panel and Bracket Assembly	White
	504447L	Control Panel and Bracket Assembly	Almond
	504447Q	Control Panel and Bracket Assembly	Bisque
16	504210	Overlay	
17	39897	Switch Knob	
18	24205	Nut	
19	54612	Key	800
20	27260P	Lock Kit	Includes item 26
21	33562	Screw	
22	58181	Coin Slide Guard	
23	N/A	Screw	
24	503455	Coin Slide Extension	
25	511523W	Security Cabinet Front Assembly	White
	511523L	Security Cabinet Front Assembly	Almond
	511523Q	Security Cabinet Front Assembly	Bisque
26	27261	Lock Cam	
27	502431	Screw	
28	32464	Light	
29	61512	Fabric Selector Switch	
30	91176	Washer	

* Add Letter To Designate Color. L - Almond Q - Bisque W - White
N/A = Part no longer available

Control Panel and Controls - Coin Drop and Card Front Control Models

Models BDEBCFGS171TN01, BDEBCFGS171TW01, BDEBEFGS171TN01, BDEBEFGS171TW01, BDGBCFGS111TN01, BDGBCFGS111TW01, BDGBEFGS111TN01, BDGBEFGS111TW01, BFEX07*F, BFGX09*F, KFEG17NF, KFET17NF, KFEY17NF, KFGG19NF, KFGT19NF, KFGY19NF, SFE407*F, SFE507*F, SFE507*F1500, SFE707*F, SFEB07*J, SFEF07*J, SFET07*F, SFEX07*F, SFEY07*F, SFEZ07*F, SFG409*F, SFG509*F, SFG709*F, SFGB09*J, SFGF09*J, SFGT09*F, SFGX09*F, SFGY09*F and SFGZ09*F



DRY2113P_510298

Control Panel and Controls - Coin Drop and Card Front Control Models

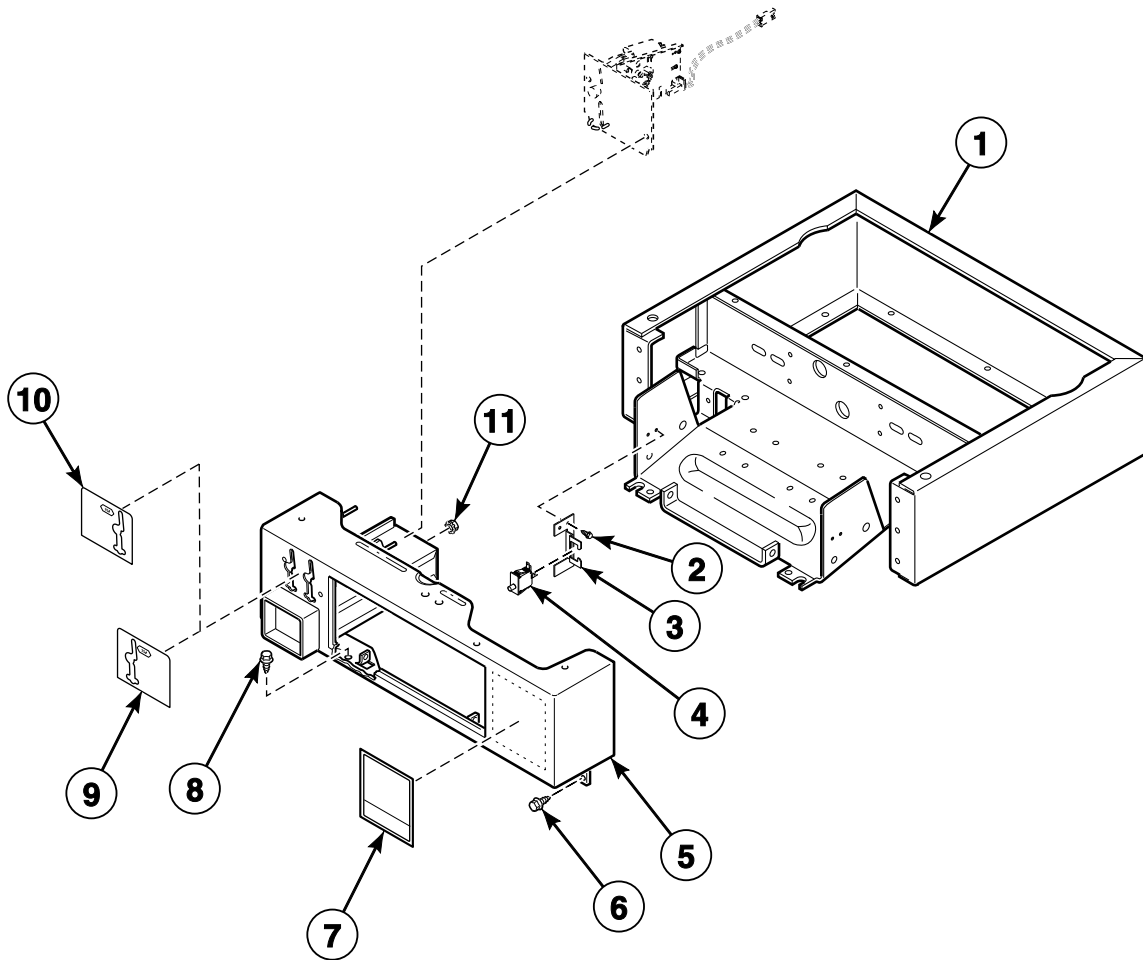
REF	PART NO.	DESCRIPTION	COMMENTS
1	512973	Switch	
2	503688	Screw	
3	803527P	Transformer	Models through Serial No. 0409; Models SFEX07*F, SFEY07*F, SFGX09*F and SFGY09*F
	201375P	Transformer	Some models may have jumper wire attached to transformer. Discard jumper wire when replacing transformer; Models starting Serial No. 0409; Models BDEBEFGS171TN01, BDEBEFGS171TW01, BDGBEFGS111TN01, BDGBEFGS111TW01, BFEX07*F, BFGX09*F, KFEG17NF, KFEY17NF, KFGG19NF, KFGY19NF, SFEX07*F, SFEY07*F, SFGX09*F and SFGY09*F
	210018P	Transformer	Models BDEBCFGS171TN01, BDEBCFGS171TW01, BDGBCFGS111TN01, BDGBCFGS111TW01, KFET17NF, KFGT19NF, SFEB07*J, SFEF07*J, SFET07*F, SFEZ07*F, SFGB09*J, SFGF09*J, SFGT09*F and SFGZ09*F
4	210100	Resistor	
5	800374	Diagnostic Wire Harness Assembly	Models KFEG17NF, KFEY17NF, KFGG19NF, KFGY19NF, SFEF07*J, SFEY07*F, SFGF09*J and SFGY09*F
6	800725	Remote Vend Wire Harness Assembly	From NetMaster control to customer supplied pay unit; Models SFEB07*J, SFEF07*J, SFGB09*J and SFGF09*J
	511478	Central Pay Harness	From MDC control to customer supplied pay unit; All other models
7	39955P	Meter Case Wire Harness Kit	Models SFE407*F, SFE507*F1500, SFG409*F and SFG509*F
8	M414050P	Control Kit	120 Volt; Includes item 11; Models SFE407*F, SFE507*F, SFE507*F1500, SFE707*F, SFG409*F, SFG509*F and SFG709*F
	505905P	Control Kit	Models SFEB07*J, SFEF07*J, SFGB09*J and SFGF09*J
	511867P	Control Assembly	All other models
9	512705	Control Panel Assembly	Gray; Models KFEG17NF, KFET17NF, KFEY17NF, KFGG19NF, KFGT19NF and KFGY19NF
	505510W	Control Panel and Bracket Assembly	White; Models SFE407*F, SFE507*F, SFE507*F1500, SFE707*F, SFG409*F, SFG509*F and SFG709*F
	505510L	Control Panel and Bracket Assembly	Almond; Models SFE407*F, SFE507*F, SFE507*F1500, SFE707*F, SFG409*F, SFG509*F and SFG709*F
	510077W	Control Panel and Bracket Assembly	White; All other models
	510077B	Control Panel and Bracket Assembly	Black; All other models
10	511573	Graphic Overlay	Models SFET07*F, SFEX07*F, SFEY07*F, SFEZ07*F, SFGT09*F, SFGX09*F, SFGY09*F and SFGZ09*F
	510056	Graphic Overlay	Models SFEF07*J and SFGF09*J
	510075	Graphic Overlay	Models SFEB07*J and SFGB09*J
	512726	Graphic Overlay	Models KFEG17NF, KFET17NF, KFEY17NF, KFGG19NF, KFGT19NF and KFGY19NF
	513392	Graphic Overlay	Models BDEBCFGS171TN01, BDEBCFGS171TW01, BDEBEFGS171TN01, BDEBEFGS171TW01, BDGBCFGS111TN01, BDGBCFGS111TW01, BDGBEFGS111TN01, BDGBEFGS111TW01, BFEX07*F and BFGX09*F
	N/A	Graphic Overlay	All other models
11	501524	Screw	
12	54612	Key	800
13	27260P	Lock Kit	Includes item 14
14	27261	Lock Cam	
15	800379	Audit Switch Bracket	

* Add Letter To Designate Color. L - Almond Q - Bisque W - White

N/A = Part no longer available

Control Cabinet Controls - Front Control Coin Drop Models

Models BDEBCFGS171TN01, BDEBCFGS171TW01, BDEBEFGS171TN01, BDEBEFGS171TW01, BDGBCFGS111TN01, BDGBCFGS111TW01, BDGBEFGS111TN01, BDGBEFGS111TW01, BFEX07*F, BFGX09*F, KFET17NF, KFGT19NF, SFE407*F, SFE507*F, SFE507*F1500, SFEB07*J, SFET07*F, SFEX07*F, SFEZ07*F, SFG409*F, SFG509*F, SFGB09*J, SFGT09*F, SFGX09*F and SFGZ09*F



DRY2216P_510298

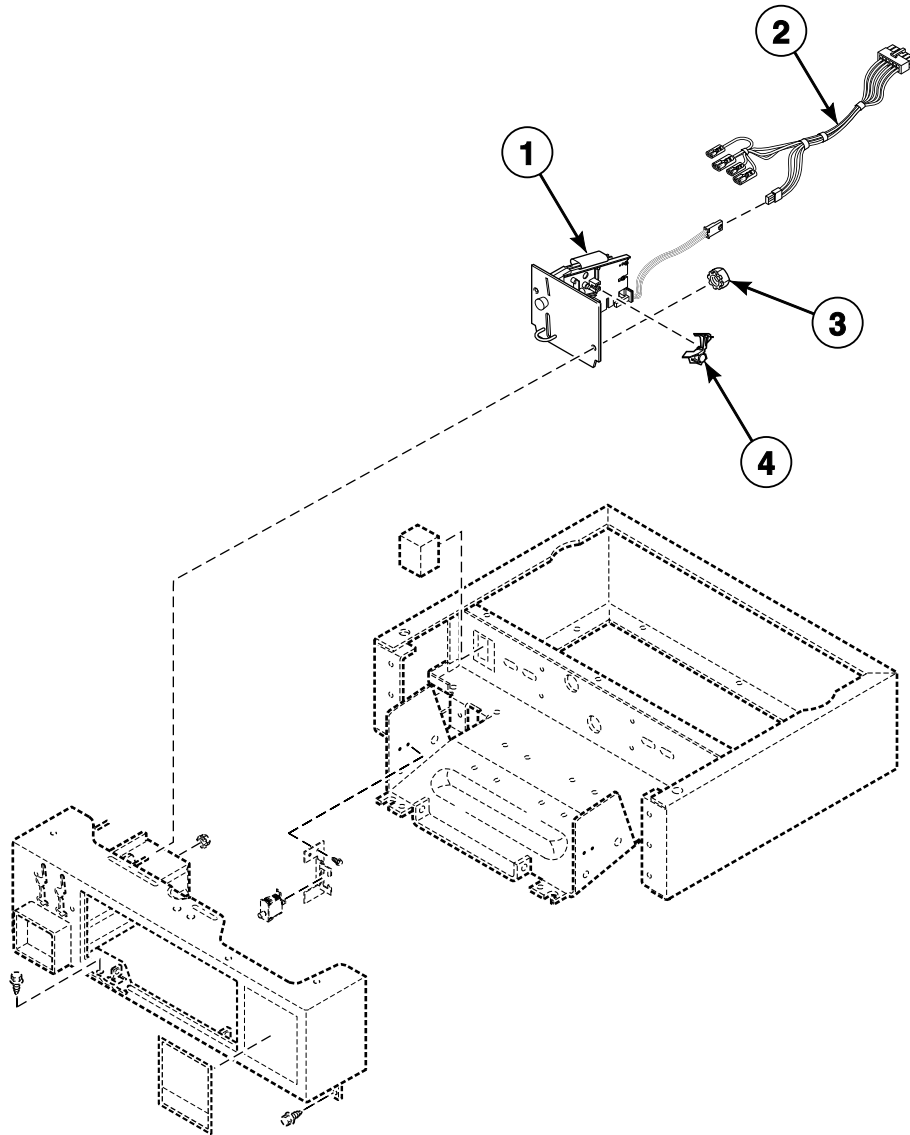
Control Cabinet Controls - Front Control Coin Drop Models

REF	PART NO.	DESCRIPTION	COMMENTS
1	512711	Security Cabinet Wrapper Assembly	Gray; Models KFET17NF and KFGT19NF
	505753WP	Wrapper and Channel Assembly	White; All other models
	N/A	Wrapper and Channel Assembly	Almond; All other models
	505753QP	Wrapper and Channel Assembly	Bisque; All other models
	505753BP	Wrapper and Channel Assembly	Black; All other models
2	503688	Screw	Models SFE407*F, SFE507*F, SFE507*F1500, SFG409*F and SFG509*F
3	38087	Door Switch Bracket	Models SFE407*F, SFE507*F, SFE507*F1500, SFG409*F and SFG509*F
4	512973	Switch	Models SFE407*F, SFE507*F, SFE507*F1500, SFG409*F and SFG509*F
5	512708	Security Cabinet Front Assembly	Gray; Models KFET17NF and KFGT19NF
	511633WP	Security Cabinet Front Assembly	White; All other models
	511633LP	Security Cabinet Front Assembly	Almond; All other models
	511633QP	Security Cabinet Front Assembly	Bisque; All other models
	511633B	Security Cabinet Front Assembly	Black; All other models
6	M405188	Screw	Models BDEBCFGS171TN01, BDEBEFGS171TN01, BDGBCFGS111TN01, BDGBEFGS111TN01, KFET17NF and KFGT19NF
	503688	Screw	All other models
7	512822	Operating Instruction Label	Models KFET17NF and KFGT19NF
	504585	Instruction Overlay	All other models
8	502431	Screw	
9	38717	Single Overlay	Models BDEBCFGS171TN01, BDEBCFGS171TW01, BDGBCFGS111TN01, BDGBCFGS111TW01, SFEB07*J, SFET07*F, SFEZ07*F, SFGB09*J, SFGT09*F and SFGZ09*F
	512821	Single Overlay	Models KFET17NF and KFGT19NF
10	201091	Overlay	Models BDEBEFGS171TN01, BDEBEFGS171TW01, BDGBEFGS111TN01 and BDGBEFGS111TW01
11	80077	Nut	

* Add Letter To Designate Color. L - Almond Q - Bisque W - White
 N/A = Part no longer available

Non-Electronic Coin Drop - Front Control Models

Models BDEBCFGS171TN01, BDEBCFGS171TW01, BDEBEFGS171TN01, BDEBEFGS171TW01, BDGBCFGS111TN01, BDGBCFGS111TW01, BDGBEFGS111TN01, BDGBEFGS111TW01, BFEX07*F, BFGX09*F, KFET17NF, KFGT19NF, SFE407*F, SFE507*F, SFE507*F1500, SFEB07*J, SFET07*F, SFEX07*F, SFEZ07*F, SFG409*F, SFG509*F, SFGB09*J, SFGT09*F, SFGX09*F and SFGZ09*F



DRY2172P_510298

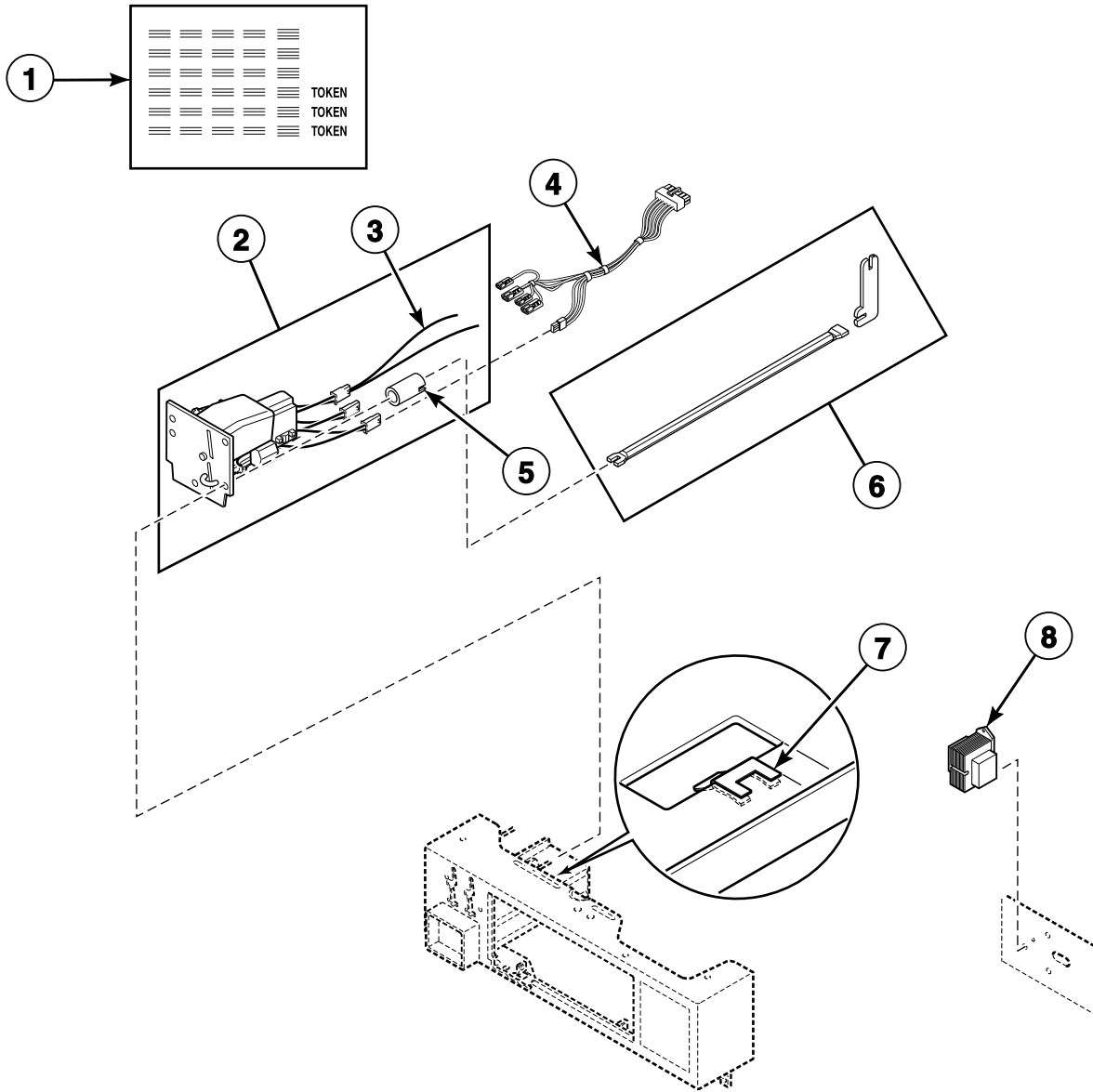
Non-Electronic Coin Drop - Front Control Models

REF	PART NO.	DESCRIPTION	COMMENTS
1	38462P	Coin Drop Assembly	Token; 118-1 mzp
	38463	Coin Drop Assembly	Token; 118-5 mzp
	70441601P	Coin Drop	U.S.; \$.25
	38963P	Coin Drop	Token; 118-16 mzp; 5 NT
2	802904P	Harness Assembly	Models BDEBCFGS171TN01, BDEBCFGS171TW01, BDGBCFGS111TN01, BDGBCFGS111TW01, KFET17NF, KFGT19NF, SFEB07*J, SFET07*F, SFEZ07*F, SFGB09*J, SFGT09*F and SFGZ09*F
	802905	Harness Assembly	Models BDEBEFGS171TN01, BDEBEFGS171TW01, BDGBEFGS111TN01, BDGBEFGS111TW01, BFEX07*F, BFGX09*F, SFEX07*F and SFGX09*F
3	29786	Nut	
4	201595P	Wire Guard	Anti-stringing security device; Add to coin drops beginning January 2005

* Add Letter To Designate Color. L - Almond Q - Bisque W - White

Electronic Coin Drop - Front Control Models

Models BDEBCFGS171TN01, BDEBCFGS171TW01, BDEBEFGS171TN01, BDEBEFGS171TW01, BDGBCFGS111TN01, BDGBCFGS111TW01, BDGBEFGS111TN01, BDGBEFGS111TW01, BFEX07*F, BFGX09*F, KFET17NF, KFGT19NF, SFEB07*J, SFET07*F, SFEX07*F, SFEZ07*F, SFGB09*J, SFGT09*F, SFGX09*F and SFGZ09*F



DRY2159P_510298

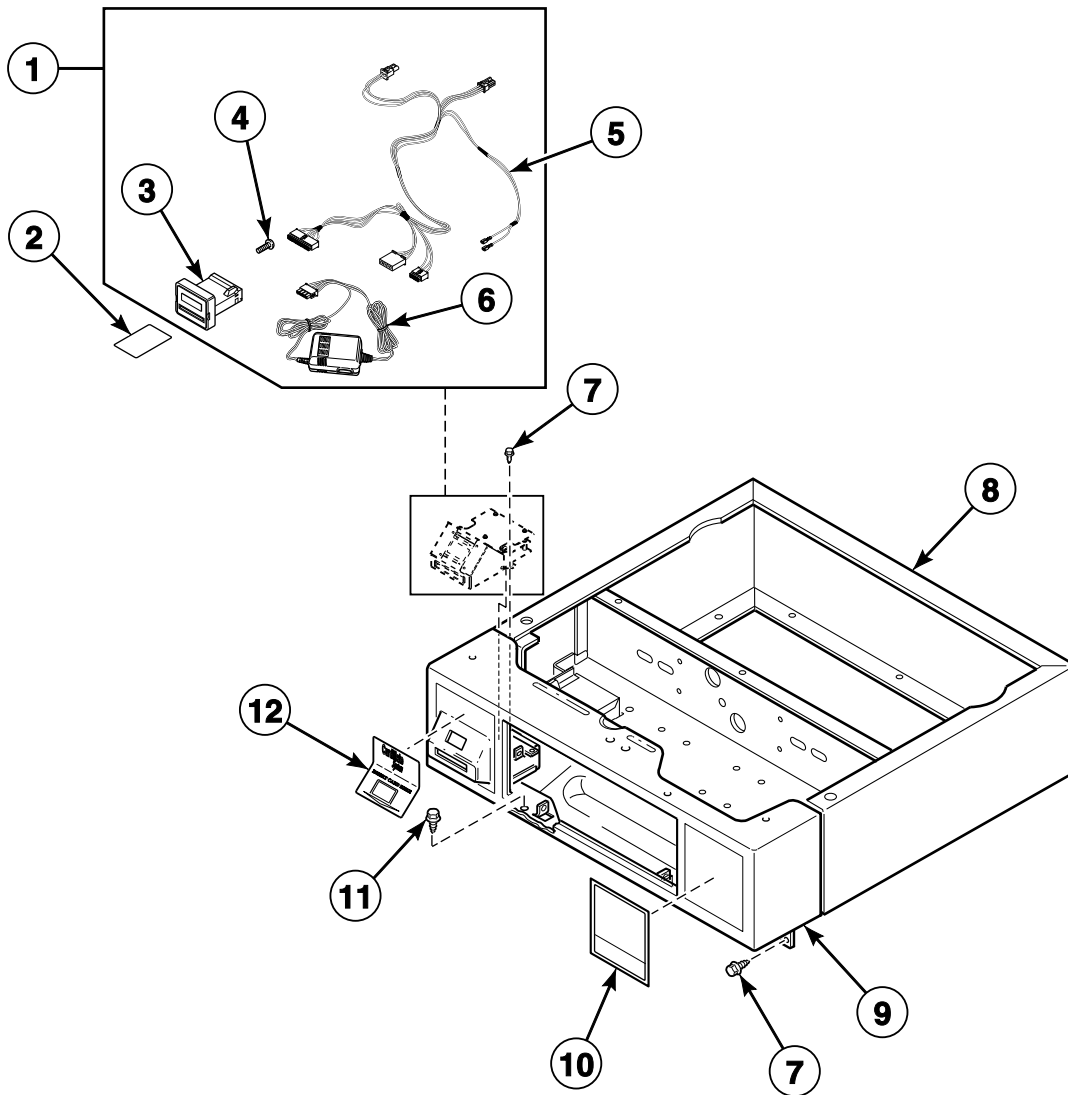
Electronic Coin Drop - Front Control Models

REF	PART NO.	DESCRIPTION	COMMENTS
1	38725	Coin Identification Paper	
2	CK115	Electronic Coin Drop Kit	Includes items 1, 3, 5 and 7; United States and Canada coins
3	201104	Coin Drop Wire Harness	
4	802905	Harness Assembly	Electronic coin drop requires this harness. If unit is not factory-equipped with this harness, it must be ordered separately.
5	201216	Nut	Slotted; Used with front assemblies with guide rods; Models through Serial No. 1007022688
	29786	Nut	Hexnut; Used with front assemblies without guide rods; Models starting Serial No. 1007022689
6	CK096	Mounting Tool Kit	
7	201572	Clip	
8	201375P	Transformer	Electronic coin drop requires this transformer. If unit is not factory-equipped with this transformer, it must be ordered separately.

* Add Letter To Designate Color. L - Almond Q - Bisque W - White

Card Reader - Front Control Card Reader Installed Models

Models SFE707*F and SFG709*F



DRY2034P_510298

Card Reader - Front Control Card Reader Installed Models

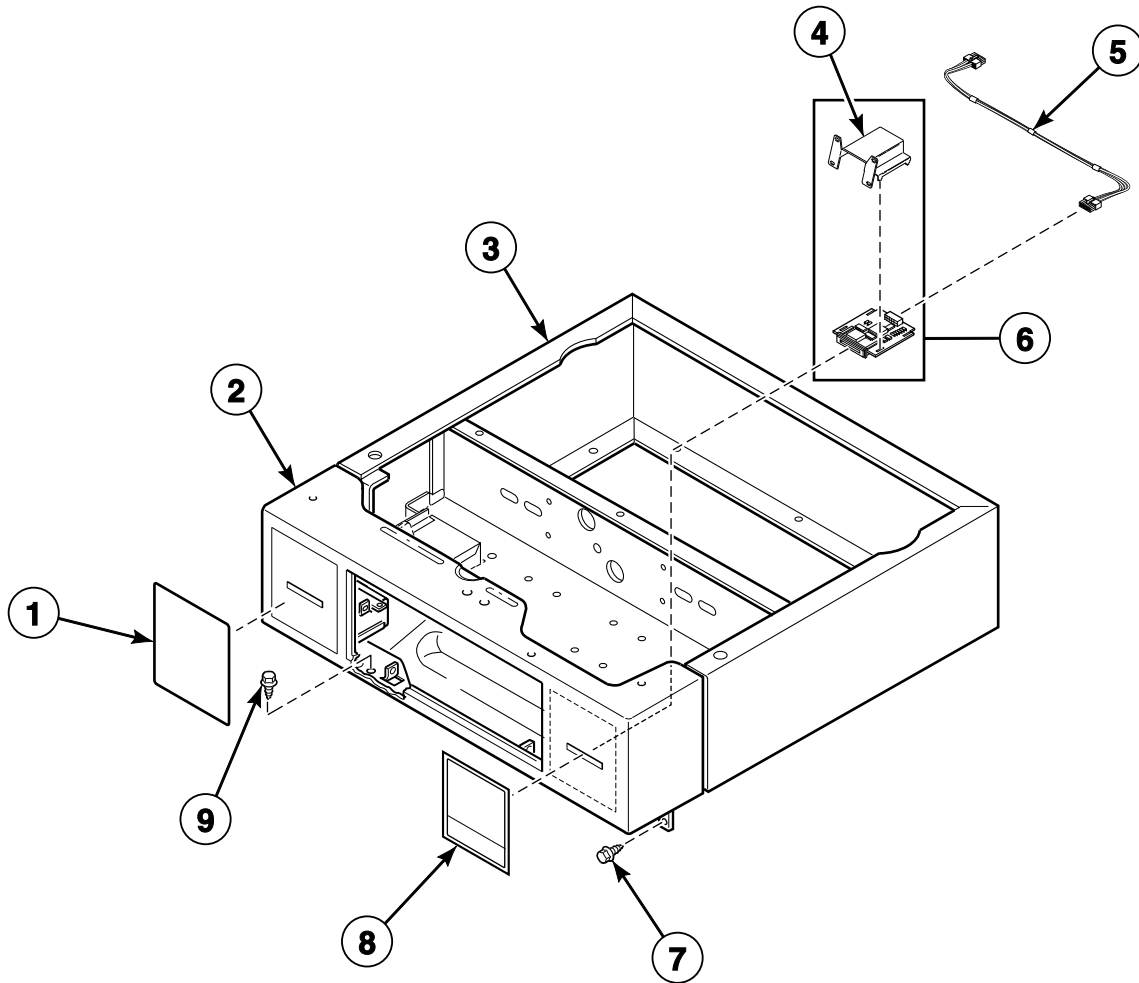
REF	PART NO.	DESCRIPTION	COMMENTS
1	876P3	Card Reader Kit	Includes items 3-6
2	512499P	Programming Card	
3	512473	Card Reader	
4	512505	Bolt	
5	512501	Harness	
6	512496	Power Supply	
7	503688	Screw	
8	505753WP	Wrapper and Channel Assembly	White
	N/A	Wrapper and Channel Assembly	Almond
	505753QP	Wrapper and Channel Assembly	Bisque
9	505542W	Security Cabinet Front Assembly	Use with 39685 Card Reader
	505699WP	Security Cabinet Front Assembly	Use with 876P3 Card Reader Kit
10	504585	Instruction Overlay	
11	502431	Screw	
12	38192	Card Reader Instruction Overlay	

* Add Letter To Designate Color. L - Almond Q - Bisque W - White

N/A = Part no longer available

Integrated Card Reader Installed and Ready Models

Models KFEF17NF, KFEY17NF, KFGG19NF, KFGY19NF, SFEF07*J, SFEY07*F, SFGF09*J and SFGY09*F



DRY1903P_510298

Integrated Card Reader Installed and Ready Models

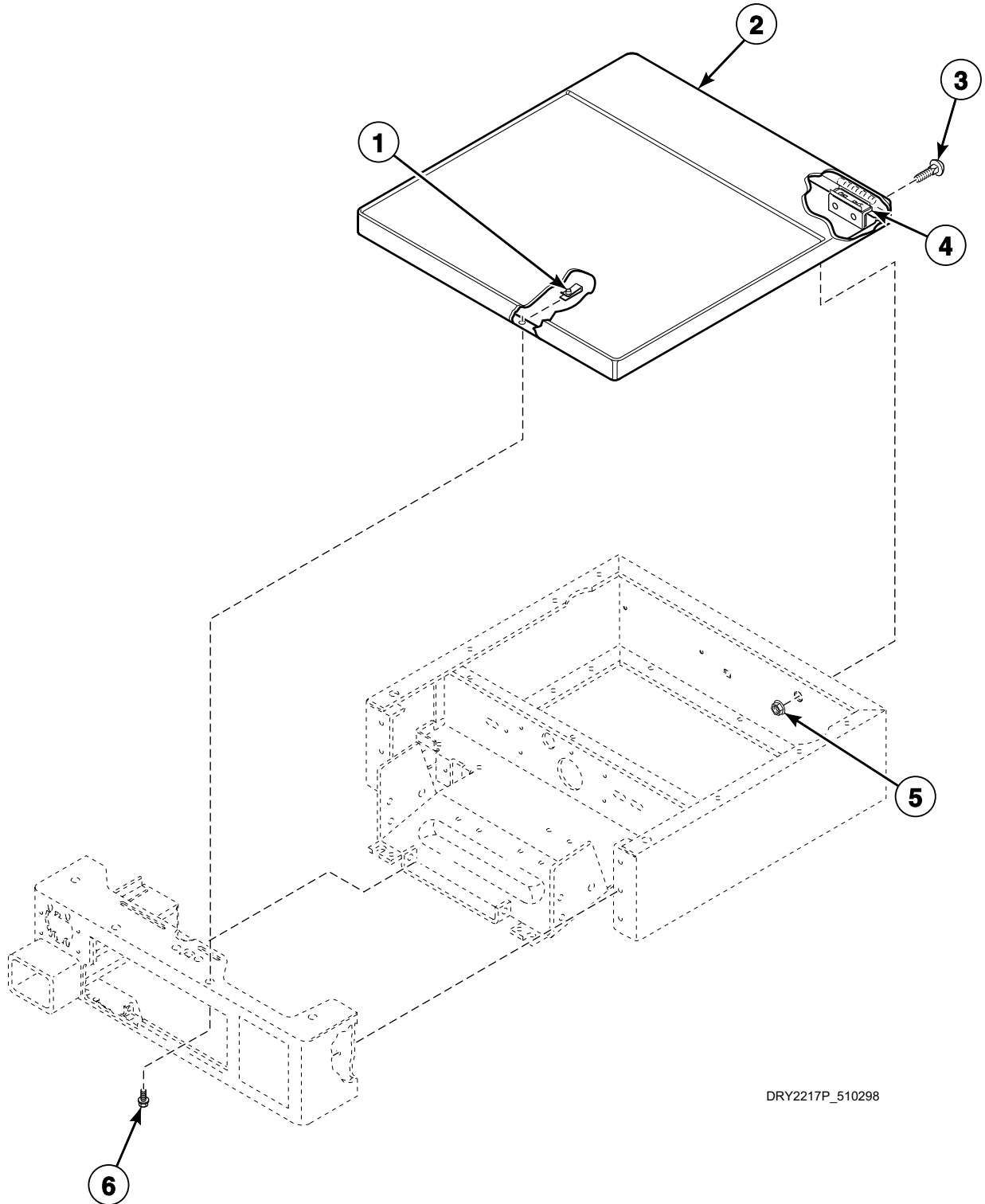
REF	PART NO.	DESCRIPTION	COMMENTS
1	800230	Card Reader Overlay	Models SFEF07*J and SFGF09*J
	511544	Card Insert Overlay	Models SFEY07*F and SFGY09*F
	512824	Blank Black Label	Models KFEG17NF, KFEY17NF, KFGG19NF and KFGY19NF
2	512718	Security Cabinet Front Assembly	Gray; Models KFEG17NF, KFEY17NF, KFGG19NF and KFGY19NF
	511209WP	Security Cabinet Front Assembly	White; All other models
	511209L	Security Cabinet Front Assembly	Almond; All other models
	511209Q	Security Cabinet Front Assembly	Bisque; All other models
3	512711	Security Cabinet Wrapper Assembly	Gray; Models KFEG17NF, KFEY17NF, KFGG19NF and KFGY19NF
	505753WP	Wrapper and Channel Assembly	White; All other models
	N/A	Wrapper and Channel Assembly	Almond; All other models
	505753QP	Wrapper and Channel Assembly	Bisque; All other models
4	510045	Card Reader Bracket	Models SFEF07*J and SFGF09*J
5	800125P	Card Reader Wire Harness Assembly	Models SFEF07*J and SFGF09*J
6	510068P	Card Reader and Bracket Assembly	Includes item 4; Models SFEF07*J and SFGF09*J
7	M405188	Screw	Use with stainless steel side panels
	503688	Screw	Use with painted side panels
8	512823	Operating Instruction Label	Models KFEG17NF, KFEY17NF, KFGG19NF and KFGY19NF
9	502431	Screw	

* Add Letter To Designate Color. L - Almond Q - Bisque W - White

N/A = Part no longer available

Cabinet Top - Front Control Models

Models BDEBCFGS171TN01, BDEBCFGS171TW01, BDEBEFGS171TN01, BDEBEFGS171TW01, BDGBCFGS111TN01, BDGBCFGS111TW01, BDGBEFGS111TN01, BDGBEFGS111TW01, BFEX07*F, BFGX09*F, KFEG17NF, KFET17NF, KFEY17NF, KFGG19NF, KFGT19NF, KFGY19NF, SFE107*F, SFE407*F, SFE507*F, SFE507*F1500, SFEB07*J, SFEF07*J, SFET07*F, SFEX07*F, SFEY07*F, SFEZ07*F, SFG109*F, SFG409*F, SFG509*F, SFGB09*J, SFGF09*J, SFGT09*F, SFGX09*F, SFGY09*F and SFGZ09*F



DRY2217P_510298

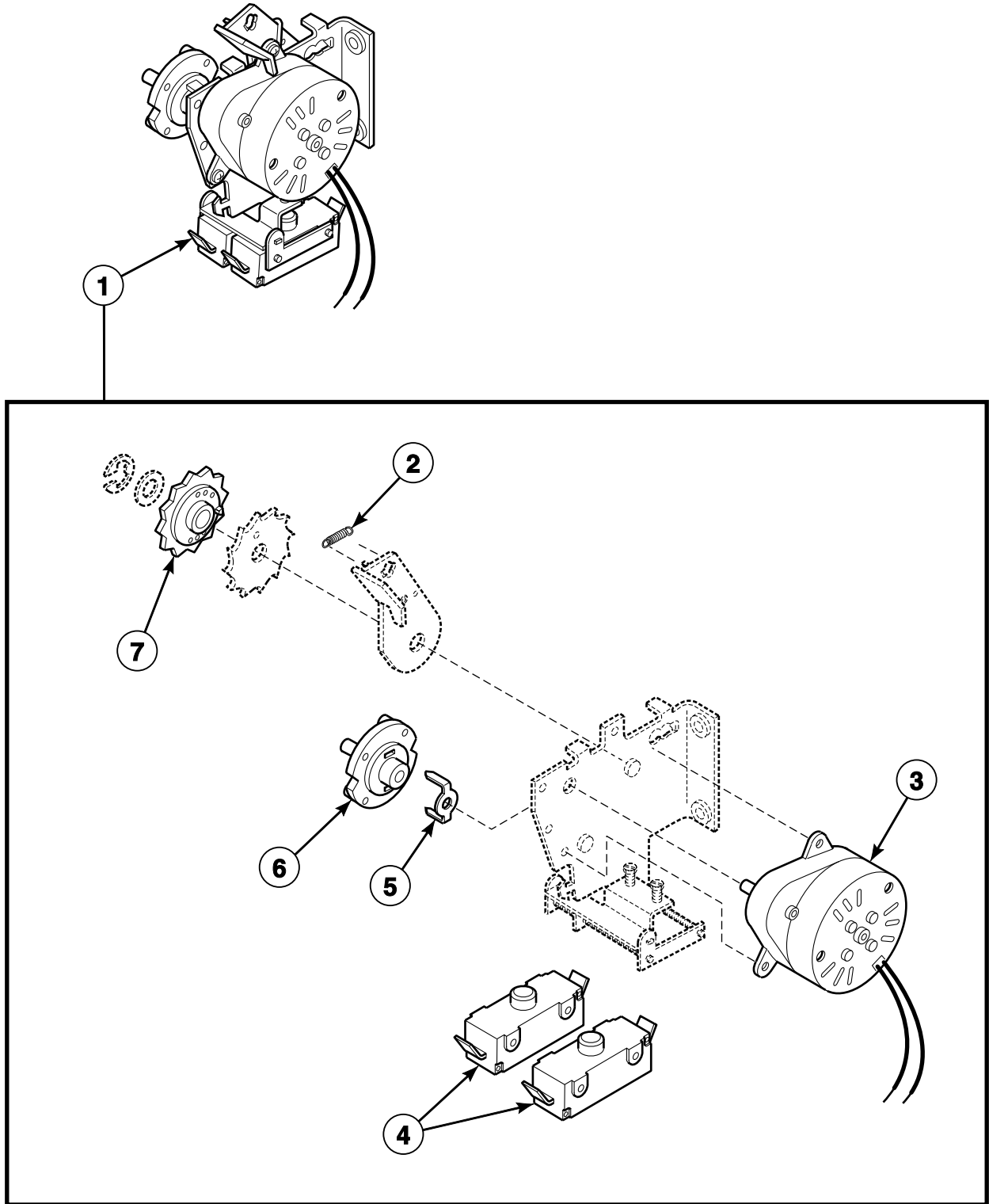
Cabinet Top - Front Control Models

REF	PART NO.	DESCRIPTION	COMMENTS
1	36020	Nut	
2	511631P	Stainless Steel Top	Models KFEG17NF, KFET17NF, KFEY17NF, KFGG19NF, KFGT19NF and KFGY19NF
	512967	Stainless Steel Top	Stainless steel; Models BDEBCFGS171TN01, BDEBEFGS171TN01, BDGBCFGS111TN01 and BDGBEFGS111TN01 through Serial No. 1005018719
	803144P	Top Kit	Stainless steel; Models BDEBCFGS171TN01, BDEBEFGS171TN01, BDGBCFGS111TN01 and BDGBEFGS111TN01 starting Serial No. 1005018720; Includes items 1, 3, 4 and 4 each 22649 Screw, 51236 Nut, 44087201 Nut
	802247WP	Top and Gusset Assembly	White; Includes item 4; All other models
	510032LP	Top Kit	Almond; Includes item 4; All other models
	802247QP	Top and Gusset Assembly	Bisque; Includes item 4; All other models
3	29651	Bolt	
4	504228	Top Mounting Bracket	
5	44087201	Nut	
6	23008	Screw	

* Add Letter To Designate Color. L - Almond Q - Bisque W - White

Accumulator - Coin Slide Models

Models HDE107*F, HDG109*F, SDE107*F, SDE107*F1500, SDE107*F1724, SDE107*F99L6, SDE107*F99L7, SDE307*F, SDE307*F1500, SDG109*F, SDG109*F1124, SDG109*F99L6, SDG109*F99L7, SDG309*F, SFE107*F and SFG109*F



DRY1852P_510298

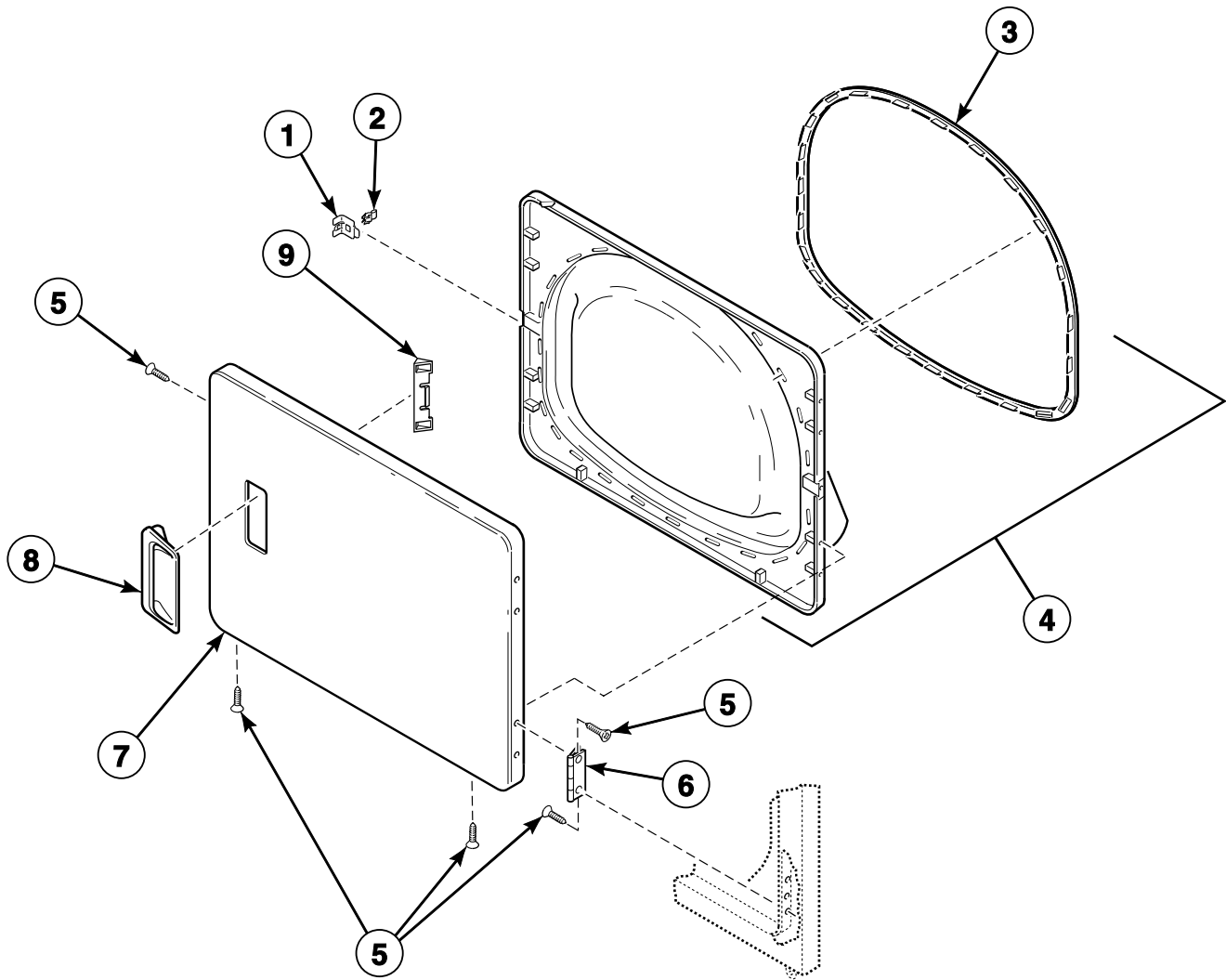
Accumulator - Coin Slide Models

REF	PART NO.	DESCRIPTION	COMMENTS
1	510628P	Accumulator Replacement Kit	Front control; 120 Volt/60 Hertz; 2 switch; Models SFE107*F and SFG109*F
	501757P	Timer	Rear control; 120 Volt/60 Hertz; 2 switch; Models HDE107*F, HDG109*F, SDE107*F, SDE107*F1500, SDE107*F1724, SDE107*F99L6, SDE107*F99L7, SDE307*F, SDE307*F1500, SDG109*F, SDG109*F1124, SDG109*F99L6, SDG109*F99L7 and SDG309*F
2	N/A	Pawl Spring	
3	512017P	Timer Motor	
4	N/A	Switch	
5	M400754	Coin Meter Drive	
6	53240	Timing Cam	60 minute; 3 pin
	53241	Timing Cam	45 minute; 4 pin
	53242	Timing Cam	30 minute; 6 pin
	53243	Timing Cam	20 minute; 9 pin
7	53239	Ratchet Wheel	

* Add Letter To Designate Color. L - Almond Q - Bisque W - White
 N/A = Part no longer available

Loading Door without Window

All Models Except KFEG17NF, KFET17NF, KFEY17NF, KFGG19NF, KFGT19NF and KFGY19NF



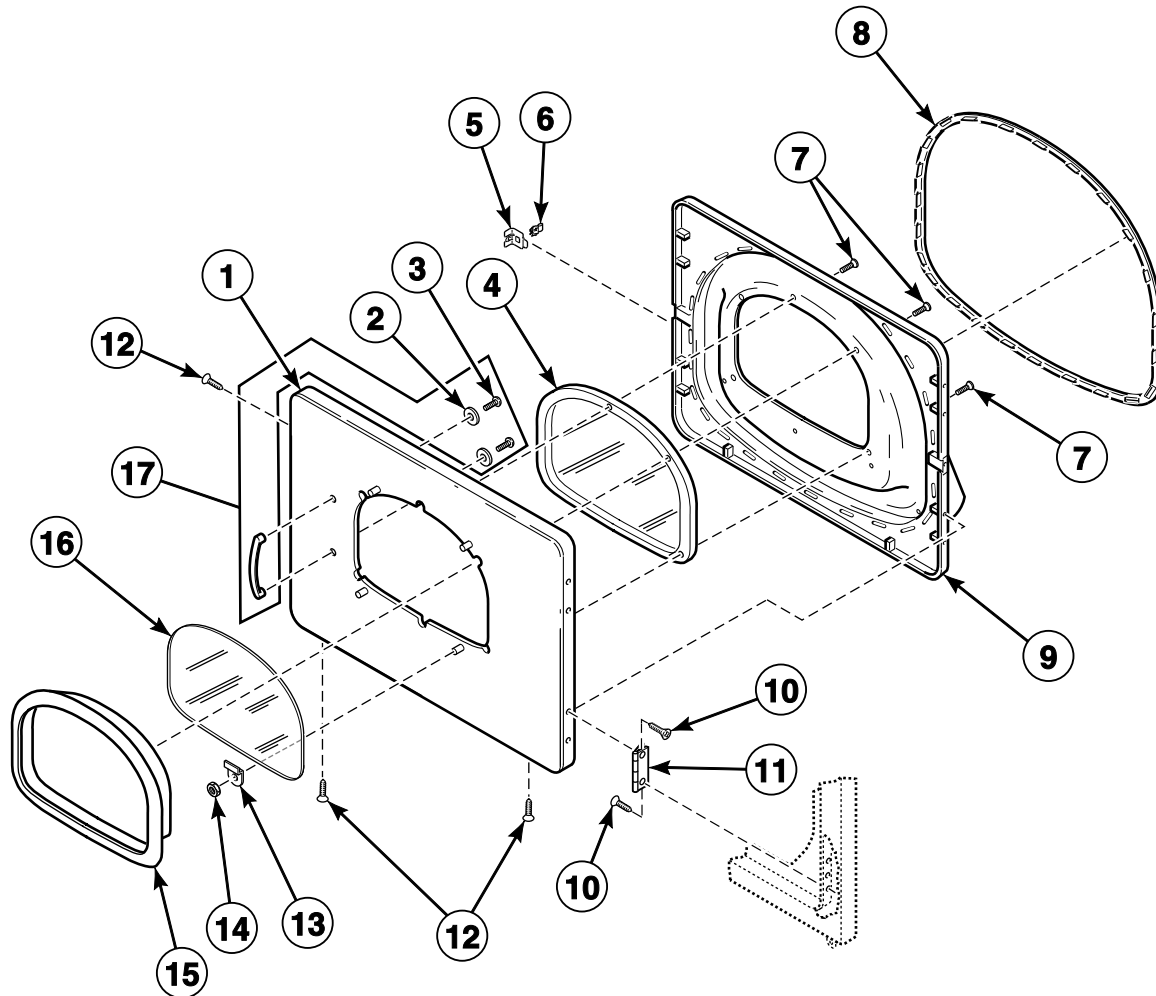
DRY1857P_510298

Loading Door without Window

REF	PART NO.	DESCRIPTION	COMMENTS
1	510127	Door Strike Mount	
2	510181	Door Strike	
3	510147P	Liner Door Seal	
4	513109P	Liner, Seal and Grill Assembly	Models BDE807*F, BDE907*F, BDEBCFGS171TW01, BDEBYRGS171TW01, BDET07*F, BDEX07*F, BFEX07*F, HDE907*F, HDET07*F, HDEY07*F, JDE807*F, JDE907*F, SDE807*F, SDE807*F1500, SDE907*F, SDE907*F1500, SDEBCRGS171TW02, SDEBXRGS171TW02, SDESXRGS171TW02, SDET07*F, SDET07*F1500, SDEX07*F, SDEX07*F1500, SDEY07*F, SDEY07*F1500, SFET07*F, SFEX07*F, SFEY07*F and UDE807*F starting Serial No. 1303025315; Models BDEBCFGS171TN01, BDEBEFGS171TN01, BDGBCFG111TN01 and BDGBEFGS111TN01
	510163WP	Liner, Seal and Grill Assembly	Models BDE807*F, BDE907*F, BDEBCFGS171TW01, BDEBYRGS171TW01, BDET07*F, BDEX07*F, BFEX07*F, HDE907*F, HDET07*F, HDEY07*F, JDE807*F, JDE907*F, SDE807*F, SDE807*F1500, SDE907*F, SDE907*F1500, SDEBCRGS171TW02, SDEBXRGS171TW02, SDESXRGS171TW02, SDET07*F, SDET07*F1500, SDEX07*F, SDEX07*F1500, SDEY07*F, SDEY07*F1500, SFET07*F, SFEX07*F, SFEY07*F and UDE807*F through Serial No. 1303025314; All other models
5	505295	Screw	
6	511036	Hinge	
7	510013WP	Dryer Door	White
	510013LP	Dryer Door	Almond
	510013QP	Dryer Door	Bisque
	512969	Dryer Door	Stainless steel; Includes item 9
8	510103WP	Door Pull and Wedge Kit	White; Includes item 9
	510103LP	Door Pull and Wedge Kit	Almond; Includes item 9
	510103QP	Door Pull and Wedge Kit	Bisque; Includes item 9
	512947	Door Pull	Light gray
9	510129	Door Handle Wedge	

Loading Door with Window

Models KFEG17NF, KFET17NF, KFEY17NF, KFGG19NF, KFGT19NF and KFGY19NF



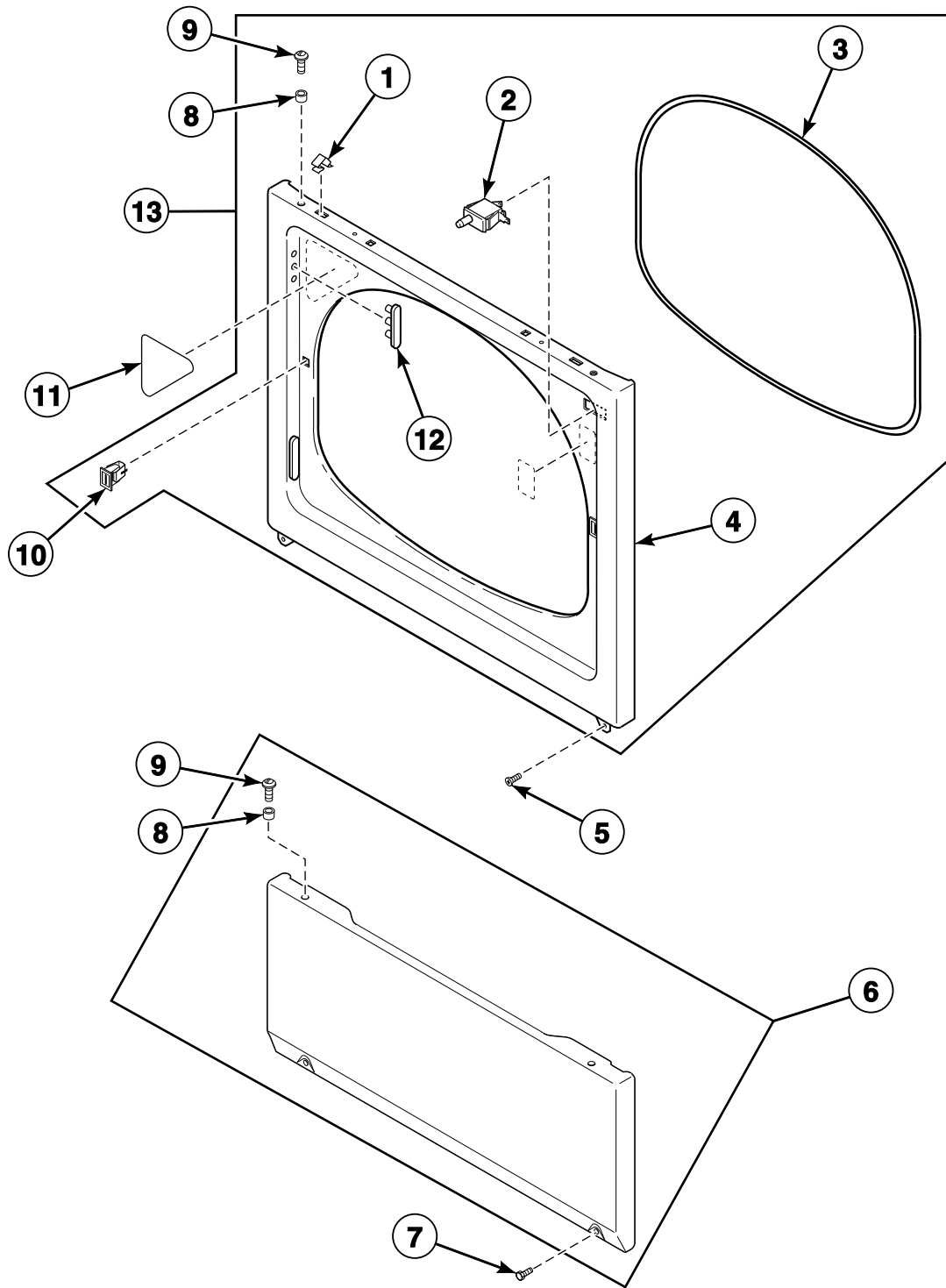
DRY2291P_510298

Loading Door with Window

REF	PART NO.	DESCRIPTION	COMMENTS
1	512699	Dryer Door	Models KFEG17NF and KFET17NF through Serial No. 1303025314; Models KFEY17NF, KFGG19NF, KFGT19NF and KFGY19NF
	514167	Dryer Door Assembly	Models KFEG17NF and KFET17NF starting Serial No. 1303025315
2	29260	Washer	
3	512631	Screw	
4	503982P	Dryer Door Window	
5	510127	Door Strike Mount	
6	510181	Door Strike	
7	505870	Screw	
8	510147P	Liner Door Seal	
9	512914DG	Liner, Seal and Grill Assembly	
10	505295	Screw	
11	511036	Hinge	
12	500226	Screw	
13	513958	Window Clip	Models KFEG17NF and KFET17NF starting Serial No. 1303025315
14	44071201	Nut	Models KFEG17NF and KFET17NF starting Serial No. 1303025315
15	512632	Window Trim	Models KFEG17NF and KFET17NF through Serial No. 1303025314; Models KFEY17NF, KFGG19NF, KFGT19NF and KFGY19NF
	514258	Window Trim	Models KFEG17NF and KFET17NF starting Serial No. 1303025315
16	513910	Glass Door Window	Models KFEG17NF and KFET17NF starting Serial No. 1303025315
17	512620P	Door Pull Kit	Includes items 2 and 3

* Add Letter To Designate Color. L - Almond Q - Bisque W - White

Access Panel, Front Panel and Seal

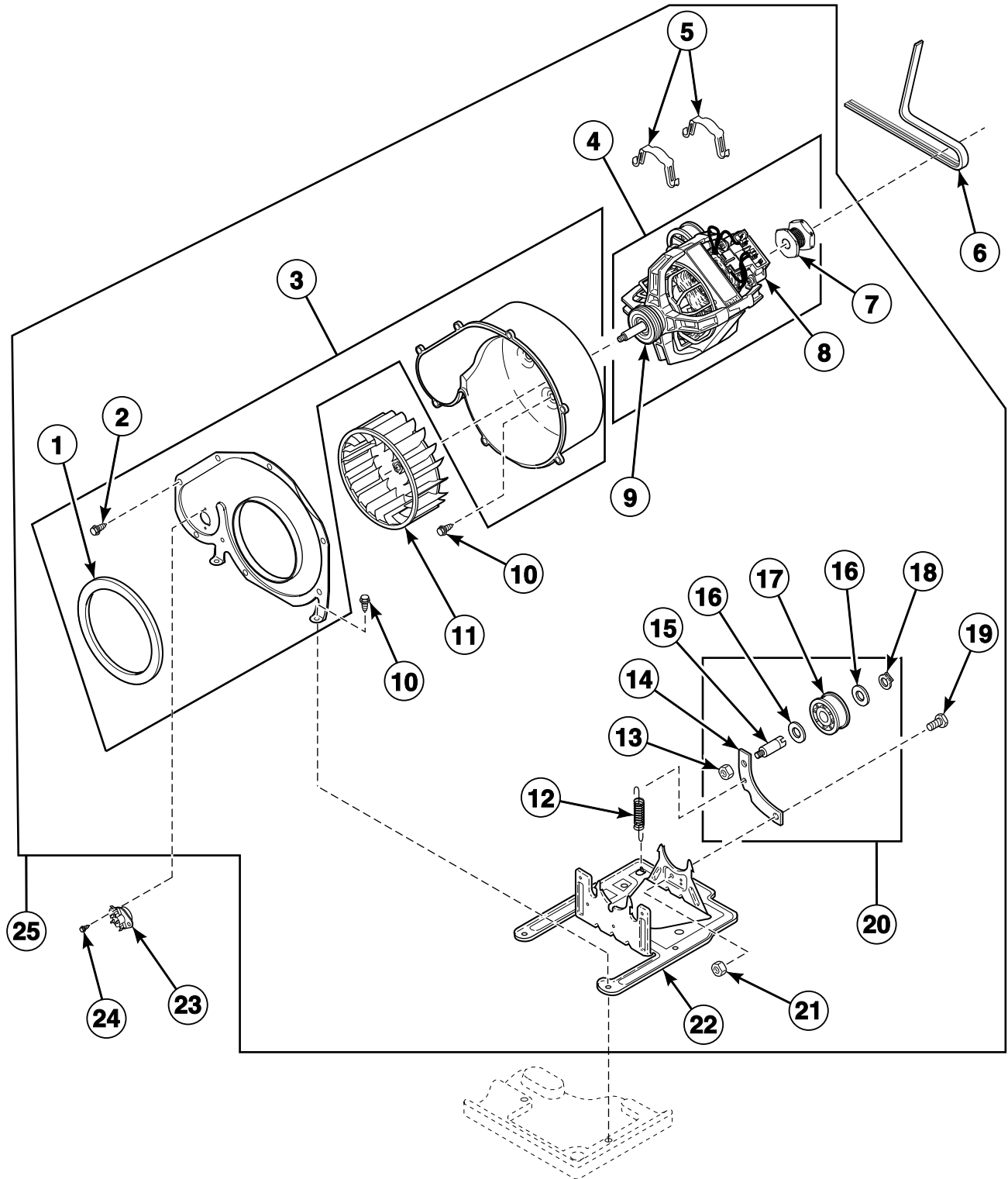


DRY1824P_510298

Access Panel, Front Panel and Seal

REF	PART NO.	DESCRIPTION	COMMENTS
1	28835	Speed Clip	1 per side
2	512973	Switch	
3	511056	Front Panel Seal	
4	512542	Front Panel	Stainless steel; Models BDEBCFGS171TN01, BDEBEFGS171TN01, BDGBCFGS111TN01, BDGBEFGS111TN01, KFEG17NF, KFET17NF, KFEY17NF, KFGG19NF, KFGT19NF and KFGY19NF
	510066WP	Front Panel	White; All other models
	510066LP	Front Panel	Almond; All other models
	510066QP	Front Panel	Bisque; All other models
5	M405188	Screw	Use with stainless steel side panels
	503688	Screw	Use with painted side panels
6	514251	Access Panel Assembly	Stainless steel; Models BDEBEFGS171TN01, BDGBCFGS111TN01, BDGBEFGS111TN01, KFEY17NF, KFGG19NF, KFGT19NF and KFGY19NF; Models BDEBCFGS171TN01, KFEG17NF and KFET17NF through Serial No. 1303025314
	514253	Access Panel and Guard Assembly	Stainless steel; Models BDEBCFGS171TN01, KFEG17NF and KFET17NF starting Serial No. 1303025315
	514252W	Access Panel and Guard Assembly	White; Models BDE807*F, BDE907*F, BDEBCFGS171TW01, BDEBYRGS171TW01, BDET07*F, BDEX07*F, BFEX07*F, HDE907*F, HDET07*F, HDEY07*F, JDE807*F, JDE907*F, SDE807*F, SDE807*F1500, SDE907*F, SDE907*F1500, SDEBCRGS171TW02, SDEBXRGS171TW02, SDESXRGS171TW02, SDET07*F, SDET07*F1500, SDEX07*F, SDEX07*F1500, SDEY07*F, SDEY07*F1500, SFET07*F, SFEX07*F and SFEY07*F starting Serial No. 1303025315
	514252Q	Access Panel and Guard Assembly	Bisque; Models BDE807*F, BDE907*F, BDEBCFGS171TW01, BDEBYRGS171TW01, BDET07*F, BDEX07*F, BFEX07*F, HDE907*F, HDET07*F, HDEY07*F, JDE807*F, JDE907*F, SDE807*F, SDE807*F1500, SDE907*F, SDE907*F1500, SDEBCRGS171TW02, SDEBXRGS171TW02, SDESXRGS171TW02, SDET07*F, SDET07*F1500, SDEX07*F, SDEX07*F1500, SDEY07*F, SDEY07*F1500, SFET07*F, SFEX07*F and SFEY07*F starting Serial No. 1303025315
	514250W	Access Panel Assembly	White; Models BDE807*F, BDE907*F, BDEBCFGS171TW01, BDEBYRGS171TW01, BDET07*F, BDEX07*F, BFEX07*F, HDE907*F, HDET07*F, HDEY07*F, JDE807*F, JDE907*F, SDE807*F, SDE807*F1500, SDE907*F, SDE907*F1500, SDEBCRGS171TW02, SDEBXRGS171TW02, SDESXRGS171TW02, SDET07*F, SDET07*F1500, SDEX07*F, SDEX07*F1500, SDEY07*F, SDEY07*F1500, SFET07*F, SFEX07*F and SFEY07*F through Serial No. 1303025314; All other models
	510069LP	Access Panel	Almond; Models BDE807*F, BDE907*F, BDEBCFGS171TW01, BDEBYRGS171TW01, BDET07*F, BDEX07*F, BFEX07*F, HDE907*F, HDET07*F, HDEY07*F, JDE807*F, JDE907*F, SDE807*F, SDE807*F1500, SDE907*F, SDE907*F1500, SDEBCRGS171TW02, SDEBXRGS171TW02, SDESXRGS171TW02, SDET07*F, SDET07*F1500, SDEX07*F, SDEX07*F1500, SDEY07*F, SDEY07*F1500, SFET07*F, SFEX07*F and SFEY07*F through Serial No. 1303025314; All other models
	514250Q	Access Panel Assembly	Bisque; Models BDE807*F, BDE907*F, BDEBCFGS171TW01, BDEBYRGS171TW01, BDET07*F, BDEX07*F, BFEX07*F, HDE907*F, HDET07*F, HDEY07*F, JDE807*F, JDE907*F, SDE807*F, SDE807*F1500, SDE907*F, SDE907*F1500, SDEBCRGS171TW02, SDEBXRGS171TW02, SDESXRGS171TW02, SDET07*F, SDET07*F1500, SDEX07*F, SDEX07*F1500, SDEY07*F, SDEY07*F1500, SFET07*F, SFEX07*F and SFEY07*F through Serial No. 1303025314; All other models
7	33562	Screw	Slotted hex head
	62853	Screw	Torx head; Optional for added security
8	56079	Panel Locator	1 per side
9	39733	Screw	1 per side
10	514113	Door Catch Assembly	
11	500281	Warning/Caution Label	
12	510186	Hinge Hole Plug	

Motor, Exhaust Fan and Belt



DRY2084P_510298

Motor, Exhaust Fan and Belt

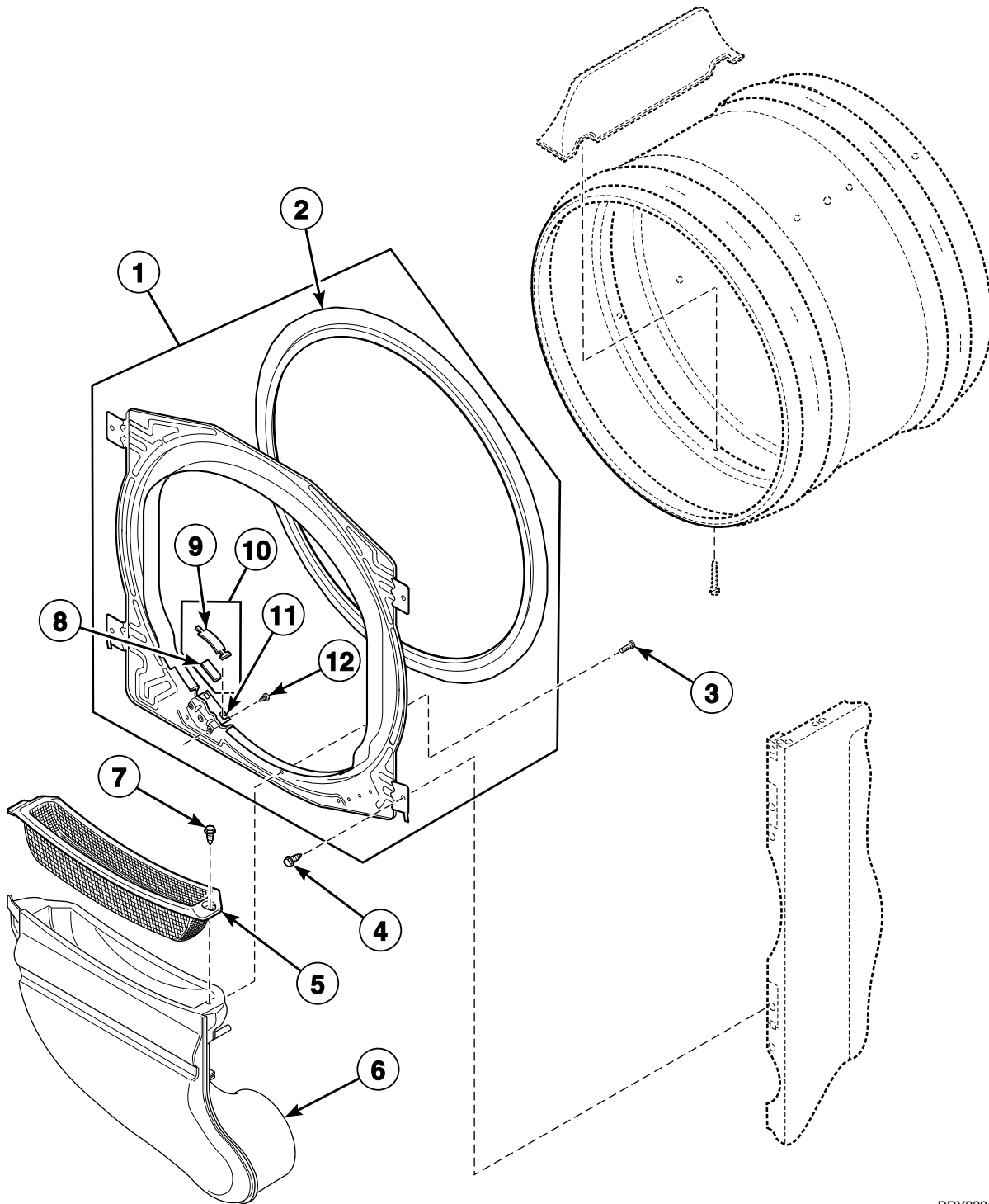
REF	PART NO.	DESCRIPTION	COMMENTS
	27604P	Anti-Seize Compound	Apply to motor shaft when installing blower fan assembly
1	510238P	Blower Housing Seal	
2	31260	Screw	
3	511969WP	Blower Housing	Includes items 1 and 2
4	511629P	Motor and Pulley Assembly	120 Volt/60 Hertz; Apply anti-seize compound to motor shaft when installing blower fan assembly; Includes items 7-9
5	510180	Motor Mount Clamp	
6	511255P	Cylinder Belt	
7	500011	Motor Pulley	60 Hertz
8	N/A	Motor Switch Kit	Does not include thermal protector
9	590P3	Motor Hub Ring Kit	
10	503688	Screw	
11	510139P	Blower Fan Assembly	Apply anti-seize compound to motor shaft when installing blower fan assembly
12	510185	Idler Spring	
13	56156	Nut	
14	510133	Idler Lever	
15	56461P	Shaft	
16	52549	Washer	
17	510142P	Idler Wheel and Bearing Assembly	
18	23748	Retaining Ring	
19	500824	Screw	
20	510158	Idler Lever and Wheel Assembly	Includes items 13-18
21	52566	Nut	
22	510060	Motor Mount	
23	504515	Thermostat	Green; Models through Serial No. 0404; Models HDE007*F, HDE107*F, HDG009*F, HDG109*F, SDE007*F, SDE007*F1500, SDE107*F, SDE107*F1500, SDE107*F1724, SDE107*F99L6, SDE107*F99L7, SDE307*F, SDE307*F1500, SDG009*F, SDG109*F, SDG109*F1124, SDG109*F99L6, SDG109*F99L7, SDG309*F, SFE107*F, SFG109*F, UDE007*F and UDG009*F
	512005	Thermostat	Green/White; Models starting Serial No. 0404; Models BDE807*F, HDE007*F, HDE107*F, HDG009*F, HDG109*F, JDE807*F, JDG809*F, SDE007*F, SDE007*F1500, SDE107*F, SDE107*F1500, SDE107*F1724, SDE107*F99L6, SDE107*F99L7, SDE307*F, SDE307*F1500, SDE807*F, SDE807*F1500, SDG009*F, SDG109*F, SDG109*F1124, SDG109*F99L6, SDG109*F99L7, SDG309*F, SDG809*F, SFE107*F, SFG109*F, UDE007*F, UDE807*F, UDG009*F and UDG809*F
	510523	Thermistor Assembly	Black; All other models
24	502535	Screw	
25	510717P	Blower and Fan Kit	Includes items 1-5 and 7-22

* Add Letter To Designate Color. L - Almond Q - Bisque W - White

N/A = Part no longer available

Front Bulkhead, Air Duct and Felt Seal

All Models Except KFEG17NF, KFET17NF, KFEY17NF, KFGG19NF, KFGT19NF and KFGY19NF



DRY2221P_510298

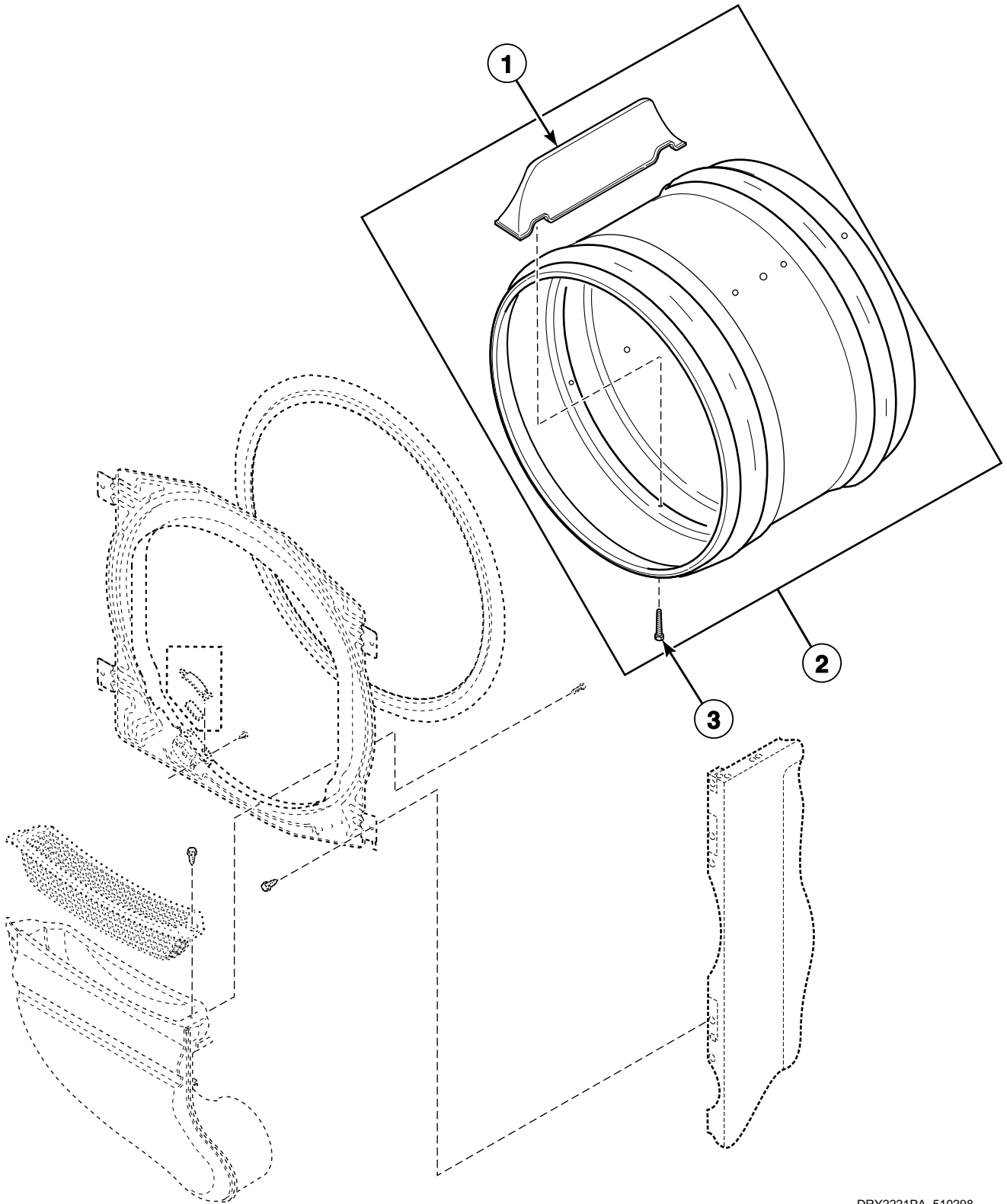
Front Bulkhead, Air Duct and Felt Seal

REF	PART NO.	DESCRIPTION	COMMENTS
1	510266P	Front Bulkhead Assembly	Unpainted; Includes items 2 and 8-12
2	510207P	Cylinder Seal Assembly	
	511637P	Adhesive	Apply to cylinder seal
	RB170001	Seal Kit	Includes 2 cylinder seals, 510238P Blower Housing Seal and 511637P Adhesive
3	505295	Screw	1 per side
4	M405188	Screw	Use with stainless steel side panels
	503688	Screw	Use with painted side panels
5	503980LG	Lint Filter	Models BDE807*F, BDE907*F, BDEBCFGS171TW01, BDEBYRGS171TW01, BDET07*F, BDEX07*F, BFEX07*F, HDE907*F, HDET07*F, HDEY07*F, JDE807*F, JDE907*F, SDE807*F, SDE807*F1500, SDE907*F, SDE907*F1500, SDEBCRGS171TW02, SDEBXRGS171TW02, SDESXRGS171TW02, SDET07*F, SDET07*F1500, SDEX07*F, SDEX07*F1500, SDEY07*F, SDEY07*F1500, SFET07*F, SFEX07*F and SFEY07*F starting Serial No. 1303025315; Models BDEBCFGS171TN01, BDEBEFGS171TN01, BDGBCFGS111TN01 and BDGBEFGS111TN01
	503980W	Lint Filter	Models BDE807*F, BDE907*F, BDEBCFGS171TW01, BDEBYRGS171TW01, BDET07*F, BDEX07*F, BFEX07*F, HDE907*F, HDET07*F, HDEY07*F, JDE807*F, JDE907*F, SDE807*F, SDE807*F1500, SDE907*F, SDE907*F1500, SDEBCRGS171TW02, SDEBXRGS171TW02, SDESXRGS171TW02, SDET07*F, SDET07*F1500, SDEX07*F, SDEX07*F1500, SDEY07*F, SDEY07*F1500, SFET07*F, SFEX07*F and SFEY07*F through Serial No. 1303025314; All other models
6	510151LG	Air Duct Assembly	Models BDE807*F, BDE907*F, BDEBCFGS171TW01, BDEBYRGS171TW01, BDET07*F, BDEX07*F, BFEX07*F, HDE907*F, HDET07*F, HDEY07*F, JDE807*F, JDE907*F, SDE807*F, SDE807*F1500, SDE907*F, SDE907*F1500, SDEBCRGS171TW02, SDEBXRGS171TW02, SDESXRGS171TW02, SDET07*F, SDET07*F1500, SDEX07*F, SDEX07*F1500, SDEY07*F, SDEY07*F1500, SFET07*F, SFEX07*F and SFEY07*F starting Serial No. 1303025315; Models BDEBCFGS171TN01, BDEBEFGS171TN01, BDGBCFGS111TN01 and BDGBEFGS111TN01
	510151W	Air Duct Assembly	Models BDE807*F, BDE907*F, BDEBCFGS171TW01, BDEBYRGS171TW01, BDET07*F, BDEX07*F, BFEX07*F, HDE907*F, HDET07*F, HDEY07*F, JDE807*F, JDE907*F, SDE807*F, SDE807*F1500, SDE907*F, SDE907*F1500, SDEBCRGS171TW02, SDEBXRGS171TW02, SDESXRGS171TW02, SDET07*F, SDET07*F1500, SDEX07*F, SDEX07*F1500, SDEY07*F, SDEY07*F1500, SFET07*F, SFEX07*F and SFEY07*F through Serial No. 1303025314; All other models
7	501285	Screw	
8	510189	Felt Pad	1 per side
9	510188	Cylinder Glide	1 per side
10	RB170003	Glide Kit	Includes items 8 and 9
11	510145	Cylinder Glide Bracket	1 per side
12	52864	Screw	2 per side

* Add Letter To Designate Color. L - Almond Q - Bisque W - White

Cylinder Assembly without Light

All Models Except KFEG17NF, KFET17NF, KFEY17NF, KFGG19NF, KFGT19NF and KFGY19NF



DRY2221PA_510298

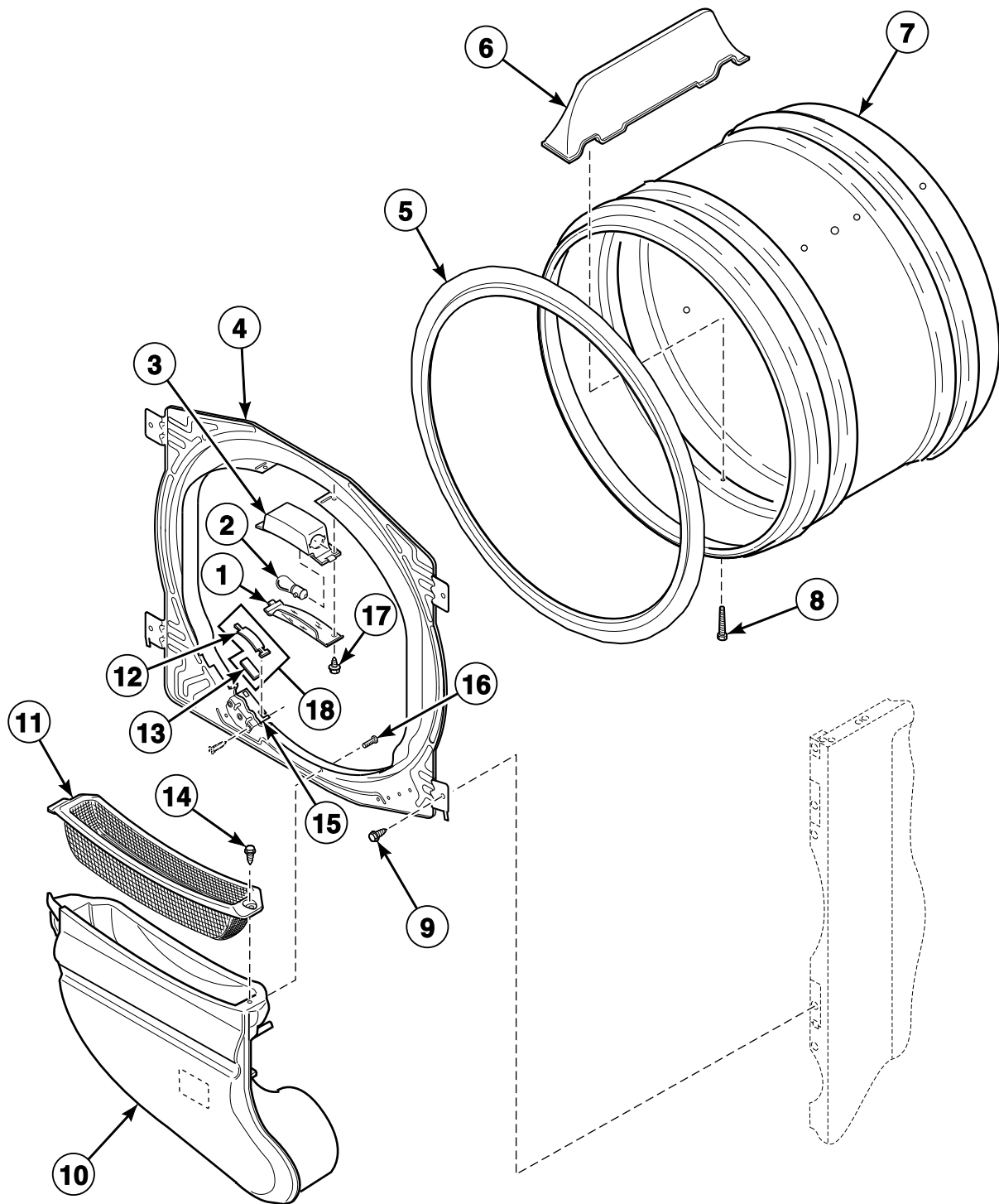
Cylinder Assembly without Light

REF	PART NO.	DESCRIPTION	COMMENTS
1	510102LG	Cylinder Baffle	Models BDE807*F, BDE907*F, BDEBCFGS171TW01, BDEBYRGS171TW01, BDET07*F, BDEX07*F, BFEX07*F, HDE907*F, HDET07*F, HDEY07*F, JDE807*F, JDE907*F, SDE807*F, SDE807*F1500, SDE907*F, SDE907*F1500, SDEBCRGS171TW02, SDEBXRGS171TW02, SDESXRGs171TW02, SDET07*F, SDET07*F1500, SDEX07*F, SDEX07*F1500, SDEY07*F, SDEY07*F1500, SFET07*F, SFEX07*F and SFEY07*F starting Serial No. 1303025315; Models BDEBCFGS171TN01, BDEBEFGS171TN01, BDGBCFGS111TN01 and BDGBEFGS111TN01
	510102W	Cylinder Baffle	Models BDE807*F, BDE907*F, BDEBCFGS171TW01, BDEBYRGS171TW01, BDET07*F, BDEX07*F, BFEX07*F, HDE907*F, HDET07*F, HDEY07*F, JDE807*F, JDE907*F, SDE807*F, SDE807*F1500, SDE907*F, SDE907*F1500, SDEBCRGS171TW02, SDEBXRGS171TW02, SDESXRGs171TW02, SDET07*F, SDET07*F1500, SDEX07*F, SDEX07*F1500, SDEY07*F, SDEY07*F1500, SFET07*F, SFEX07*F and SFEY07*F through Serial No. 1303025314; All other models
2	510265LGP	Cylinder Assembly	Galvanized; Includes 3 of item 1 and 6 of item 3; Models BDE807*F, BDE907*F, BDEBCFGS171TW01, BDEBYRGS171TW01, BDET07*F, BDEX07*F, BFEX07*F, HDE907*F, HDET07*F, HDEY07*F, JDE807*F, JDE907*F, SDE807*F, SDE807*F1500, SDE907*F, SDE907*F1500, SDEBCRGS171TW02, SDEBXRGS171TW02, SDESXRGs171TW02, SDET07*F, SDET07*F1500, SDEX07*F, SDEX07*F1500, SDEY07*F, SDEY07*F1500, SFET07*F, SFEX07*F and SFEY07*F starting Serial No. 1303025315; Models BDEBCFGS171TN01, BDEBEFGS171TN01, BDGBCFGS111TN01 and BDGBEFGS111TN01
	510265WP	Cylinder Assembly	Galvanized; Includes 3 of item 1 and 6 of item 3; Models BDE807*F, BDE907*F, BDEBCFGS171TW01, BDEBYRGS171TW01, BDET07*F, BDEX07*F, BFEX07*F, HDE907*F, HDET07*F, HDEY07*F, JDE807*F, JDE907*F, SDE807*F, SDE807*F1500, SDE907*F, SDE907*F1500, SDEBCRGS171TW02, SDEBXRGS171TW02, SDESXRGs171TW02, SDET07*F, SDET07*F1500, SDEX07*F, SDEX07*F1500, SDEY07*F, SDEY07*F1500, SFET07*F, SFEX07*F and SFEY07*F through Serial No. 1303025314; All other models
3	62588	Screw	

* Add Letter To Designate Color. L - Almond Q - Bisque W - White

Front Bulkhead, Air Duct, Felt Seal and Cylinder with Light

Models KFEG17NF, KFET17NF, KFEY17NF, KFGG19NF, KFGT19NF and KFGY19NF

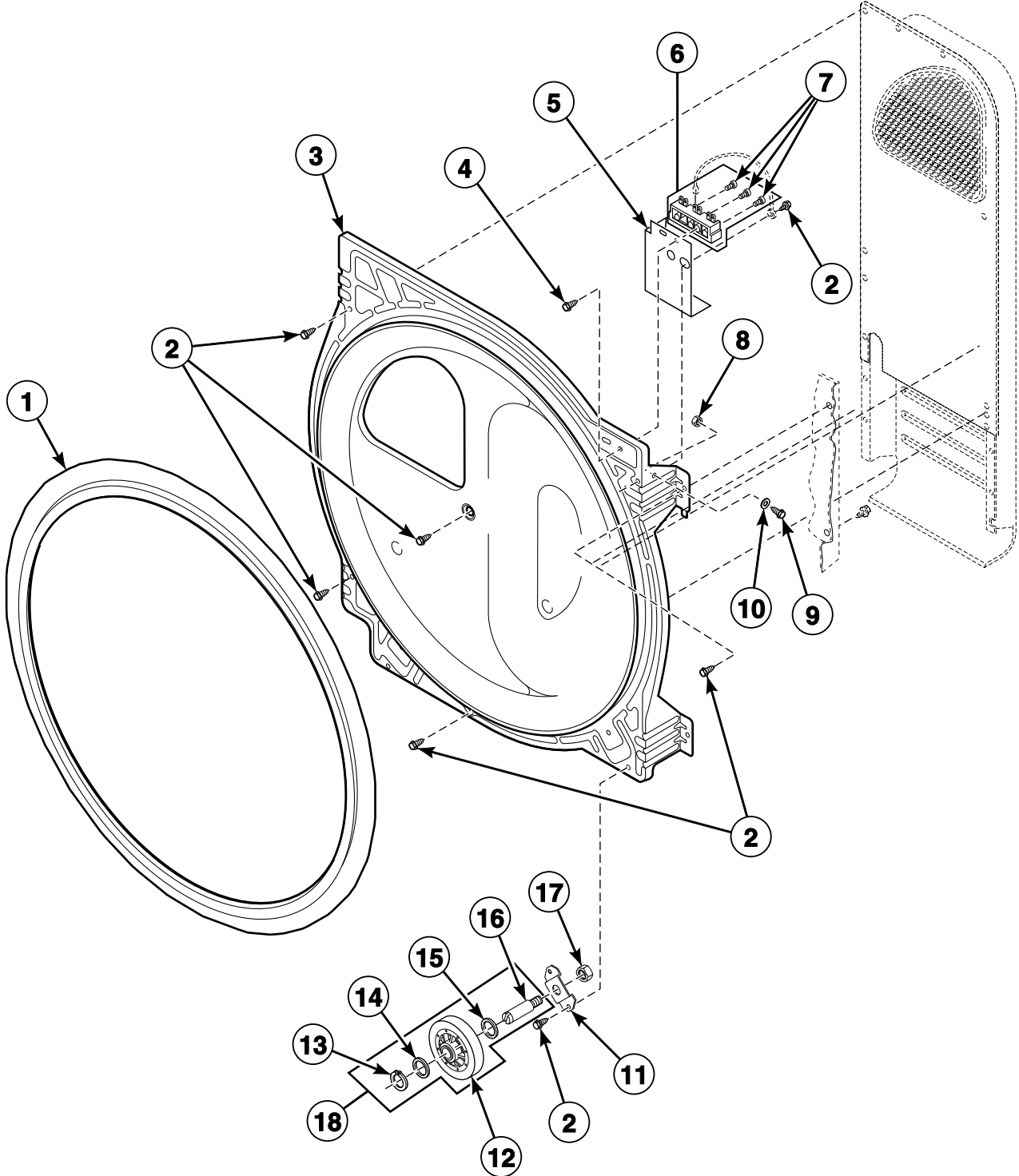


DRY2136P_510298

Front Bulkhead, Air Duct, Felt Seal and Cylinder with Light

REF	PART NO.	DESCRIPTION	COMMENTS
1	512106	Cylinder Light Lens	
2	60954	Drum Light Lamp	
3	512108	Light Housing Assembly	Includes item 2
4	512476	Front Bulkhead Assembly	Galvanized; Includes item 5
5	510207P	Cylinder Seal Assembly	
	511637P	Adhesive	Apply to cylinder seal
	RB170001	Seal Kit	Includes 2 cylinder seals, 510238P Blower Housing Seal and 511637P Adhesive
6	510102DG	Cylinder Baffle	
7	510265DG	Cylinder Assembly	Galvanized; Includes (3) of item 6 and (6) of item 8
8	62588	Screw	
9	M405188	Screw	Use with stainless steel side panels
	503688	Screw	Use with painted side panels
10	510151DG	Air Duct Assembly	
11	503980DG	Lint Filter	
12	510188	Cylinder Glide	
13	510189	Felt Pad	
14	501285	Screw	
15	510145	Cylinder Glide Bracket	
16	52864	Screw	
17	500227	Screw	
18	RB170003	Glide Kit	Includes items 12 and 13

Rear Bulkhead, Felt Seal, Cylinder Roller and Terminal Block



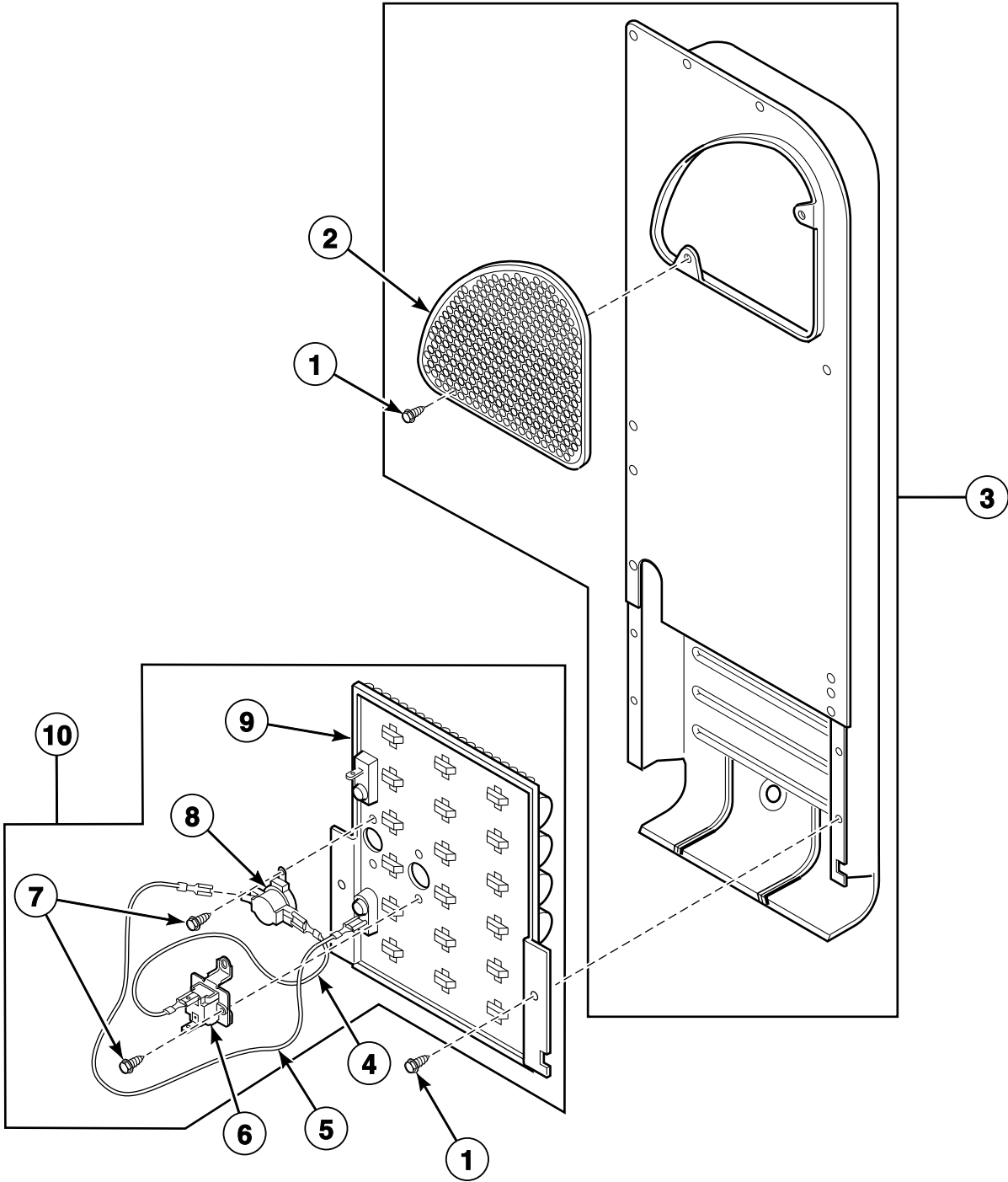
DRY1774P_510298

Rear Bulkhead, Felt Seal, Cylinder Roller and Terminal Block

REF	PART NO.	DESCRIPTION	COMMENTS
1	510207P	Cylinder Seal Assembly	
	511637P	Adhesive	Apply to cylinder seal
	RB170001	Seal Kit	Includes 2 cylinder seals, 510238P Blower Housing Seal and 511637P Adhesive
2	M405188	Screw	Models BDEBCFGS171TN01, BDEBEFGS171TN01, BDGBCFGS111TN01, BDGBEFGS111TN01, KFEG17NF, KFET17NF, KFEY17NF, KFGG19NF, KFGT19NF and KFGY19NF
	503688	Screw	All other models
3	512698	Rear Bulkhead	Polished; Models KFEG17NF, KFET17NF, KFEY17NF, KFGG19NF, KFGT19NF and KFGY19NF
	511082P	Rear Bulkhead Assembly	Galvanized; Includes item 1; All other models
4	501285	Screw	Electric models
5	505768	Terminal Block Shield	Models BDE807*F, BDE907*F, BDEBYRGS171TW01, BDET07*F, BDEX07*F, HDE907*F, HDET07*F, HDEY07*F, JDE807*F, JDE907*F, SDE807*F, SDE807*F1500, SDE907*F, SDE907*F1500, SDE907*F1724, SDEA07*J, SDEA07*J1500, SDEB07*J, SDEB07*J1500, SDEBCRGS171TW02, SDEBXRGS171TW02, SDEF07*J, SDEF07*J1500, SDESXRGS171TW02, SDET07*F, SDET07*F1500, SDEX07*F, SDEX07*F1500, SDEY07*F and SDEY07*F1500
	510237	Terminal Block Shield	All other electric models
6	510190P	Terminal Block Assembly	Includes 3 of item 7; Electric models
7	61199	Screw	
8	28447	Nut	
9	28448	Screw	
10	28449	Washer	
11	510100	Cylinder Roller Bracket	
12	510708P	Cylinder Roller	
13	23748	Retaining Ring	
14	52549	Washer	
15	504082	Washer	
16	56461P	Shaft	
17	56156	Nut	
18	RB170002	Roller Kit	Includes item 12-16

* Add Letter To Designate Color. L - Almond Q - Bisque W - White

Heater Duct and Element Assembly - Electric Model Dryers



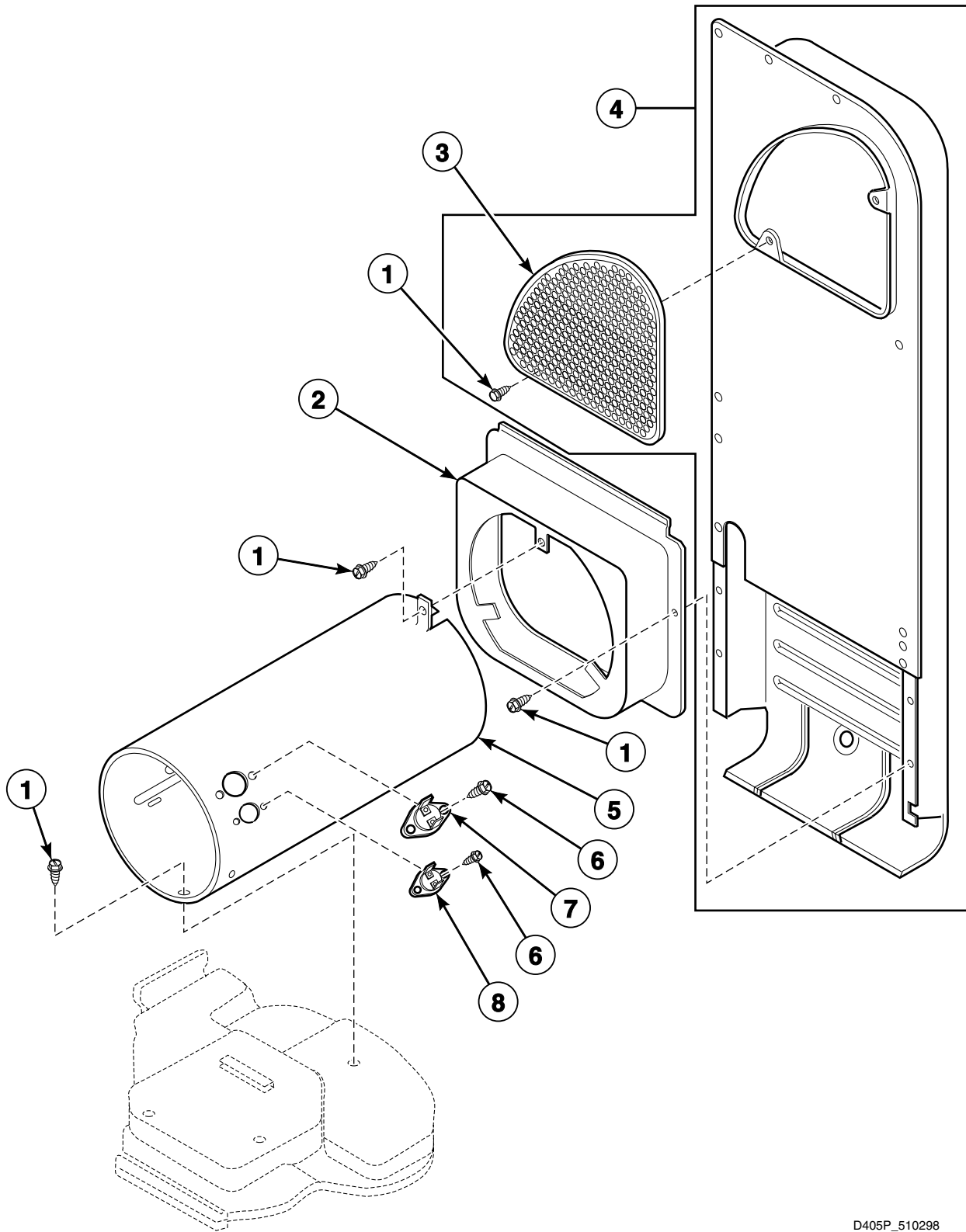
DRY1789P_510298

Heater Duct and Element Assembly - Electric Model Dryers

REF	PART NO.	DESCRIPTION	COMMENTS
1	503688	Screw	
2	500820	Outlet Cover	
3	510025P	Heater Duct and Screw Assembly	Includes items 1 and 2
4	510528	Wire Assembly	Orange; Thermostat jumper; Attaches to heater assembly
5	510527	Wire Assembly	Black; Fuse jumper; Attaches to heater assembly
6	511412	Thermal Fuse Assembly	
7	23222	Screw	
8	510701	Limit Thermostat	
9	510325P	Heater	4.75 kW; 208 Volt; Models HDEB07*J99L2, HDET07*F1500, HDEY07*F1500, HDEZ07*F1500, SDE007*F1500, SDE107*F1500, SDE307*F1500, SDE407*F1500, SDE507*F1500, SDE607*F1500, SDE707*F1500, SDE807*F1500, SDE907*F1500, SDEA07*J1500, SDEB07*J1500, SDEF07*J1500, SDEH07*J1500, SDET07*F1500, SDEX07*F1500, SDEY07*F1500, SDEZ07*F1500 and SFE507*F1500
	510329P	Heater Assembly	5.35 kW; 240 Volt; All other models
10	61928	Heater Kit Assembly	4.75 kW; 208 Volt
	964P3	Heater Kit	5.35 kW; 240 Volt

* Add Letter To Designate Color. L - Almond Q - Bisque W - White

Heater Duct Assembly - Gas Model Dryers



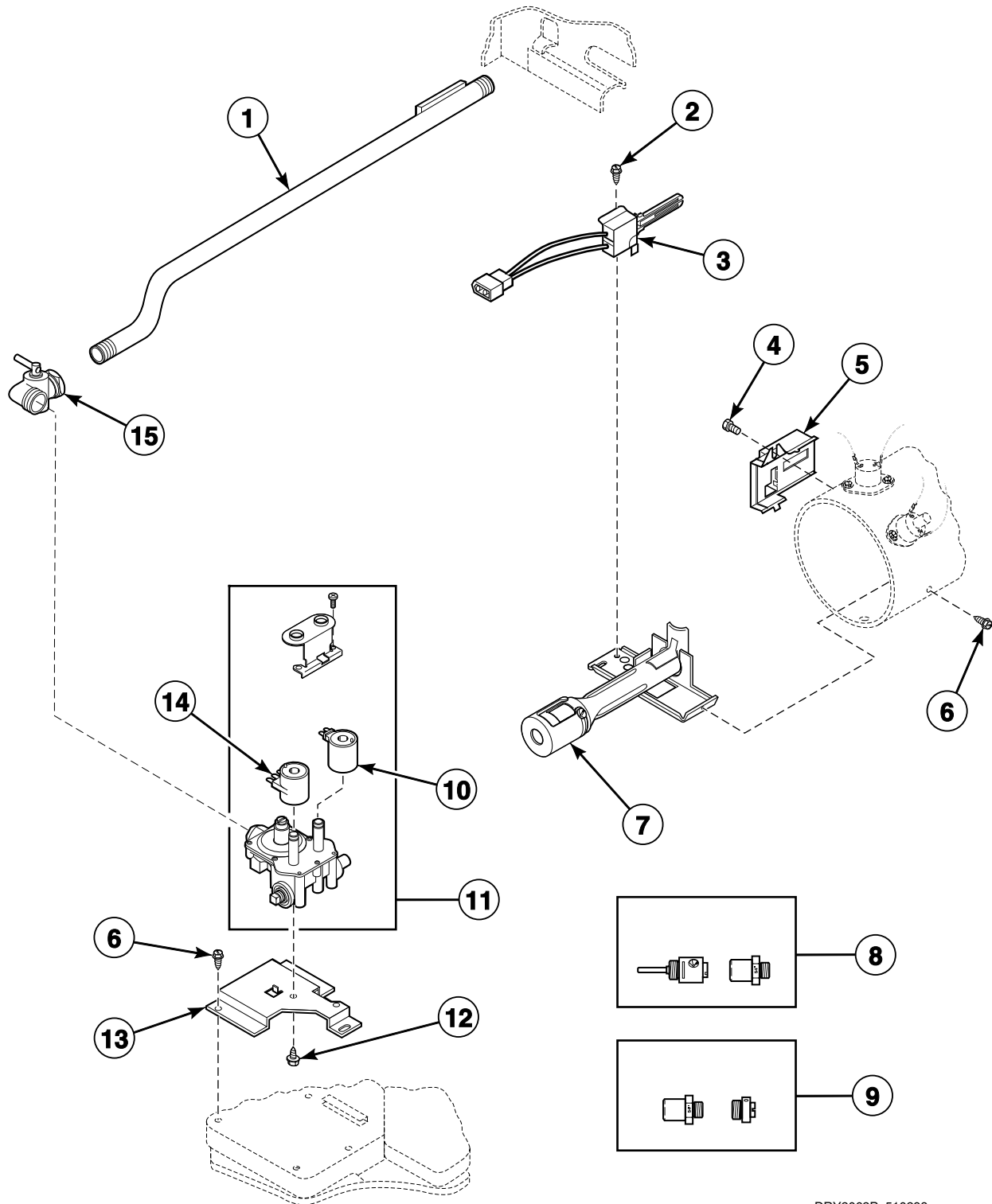
D405P_510298

Heater Duct Assembly - Gas Model Dryers

REF	PART NO.	DESCRIPTION	COMMENTS
1	503688	Screw	
2	510101	Heat Duct Shroud	
3	500820	Outlet Cover	
4	510025P	Heater Duct and Screw Assembly	Includes items 1 and 3
5	510131	Combustion Duct	Models BDGBYRGS111TW01, BDGT09*F, HDG909*F, HDGT09*F, HDGY09*F, HDGZ09*F, JDG909*F, KFGG19NF, KFGT19NF, KFGY19NF, SDG409*F, SDG509*F, SDG609*F, SDG709*F, SDG909*F, SDG909*F1124, SDGA09*J, SDGB09*J, SDGC09*J, SDGF09*J, SDGH09*J, SDGT09*F, SDGX09*F, SDGY09*F, SDGZ09*F, SFG409*F, SFG509*F, SFG709*F, SFGB09*J, SFGF09*J, SFGT09*F, SFGX09*F, SFGY09*F and SFGZ09*F through Serial No. 0803010125; Models HDG009*F, HDG109*F, HDGB09*J99L1, JDG809*F, SDG009*F, SDG109*F, SDG109*F1124, SDG109*F99L6, SDG109*F99L7, SDG309*F, SDG809*F, SFG109*F, UDG009*F and UDG809*F
	510132	Combustion Duct	Models BDGBCFGS111TN01, BDGBCFGS111TW01, BDGBEFGS111TN01, BDGBEFGS111TW01, BDGBYRGS111TW01, BDGT09*F, BFGX09*F, HDG909*F, HDGT09*F, HDGY09*F, HDGZ09*F, JDG909*F, KFGG19NF, KFGT19NF, KFGY19NF, SDG409*F, SDG509*F, SDG609*F, SDG709*F, SDG909*F, SDG909*F1124, SDGA09*J, SDGB09*J, SDGBCRGS111TW02, SDGBXRGS111TW02, SDGC09*J, SDGF09*J, SDGH09*J, SDGSXRGS111TW02, SDGT09*F, SDGX09*F, SDGY09*F, SDGZ09*F, SFG409*F, SFG509*F, SFG709*F, SFGB09*J, SFGF09*J, SFGT09*F, SFGX09*F, SFGY09*F and SFGZ09*F starting Serial No. 0803010126
6	51782	Screw	
7	510702	Limit Thermostat	Black; Auto reset
8	510703	Thermostat	Models BDGBCFGS111TN01, BDGBCFGS111TW01, BDGBEFGS111TN01, BDGBEFGS111TW01, BDGBYRGS111TW01, BDGT09*F, BFGX09*F, HDG909*F, HDGT09*F, HDGY09*F, HDGZ09*F, JDG909*F, KFGG19NF, KFGT19NF, KFGY19NF, SDG409*F, SDG509*F, SDG609*F, SDG709*F, SDG909*F, SDG909*F1124, SDGA09*J, SDGB09*J, SDGBCRGS111TW02, SDGBXRGS111TW02, SDGC09*J, SDGF09*J, SDGH09*J, SDGSXRGS111TW02, SDGT09*F, SDGX09*F, SDGY09*F, SDGZ09*F, SFG409*F, SFG509*F, SFG709*F, SFGB09*J, SFGF09*J, SFGT09*F, SFGX09*F, SFGY09*F and SFGZ09*F starting Serial No. 0803010126

Gas Valve, Igniter and Gas Conversion Kits

Gas Models



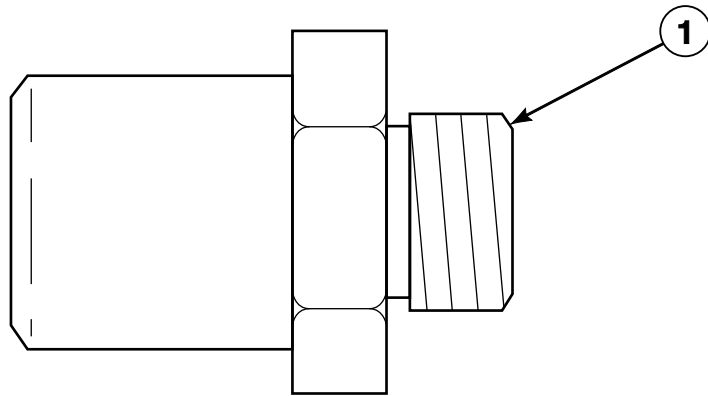
DRY2062P_510298

Gas Valve, Igniter and Gas Conversion Kits

REF	PART NO.	DESCRIPTION	COMMENTS
1	510204	Lead-In Pipe Assembly	
2	51782	Screw	
3	510184P	Igniter and Bracket Assembly	
4	23222	Screw	
5	510213	Sensor	
6	503688	Screw	
7	510149P	Burner Assembly	
8	458P3	L.P. Conversion Kit	Used to convert dryers from Natural Gas (N.G.) or Mixed Gas to Liquid Petroleum Gas (L.P.) for 25,000 Btu
9	459P3	N.G. Conversion Kit	Used to convert dryers from L.P. to N.G. or Mixed Gas for 25,000 Btu
10	58804B	Secondary Coil	
11	60353P	Gas Valve Assembly	25,000 Btu; Includes items 10 and 14
12	56124	Screw	
13	510128	Gas Valve Mounting Bracket	
14	58804A	Booster and Holding Coil	
15	510205	Elbow Shut-Off Valve	

Burner Orifice Spuds - For Higher Elevations

Gas Models

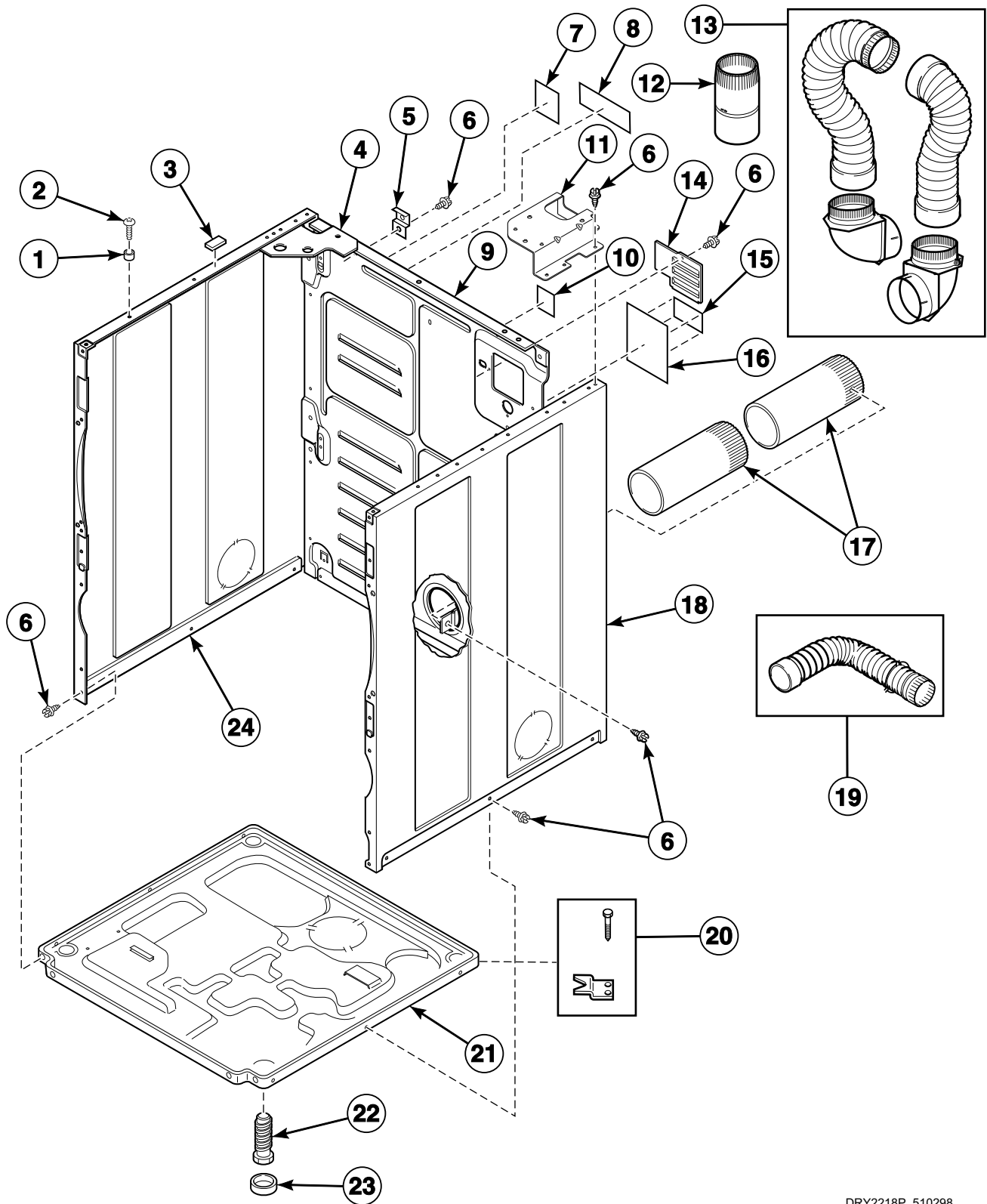


DRY2266P_510298

Burner Orifice Spuds - For Higher Elevations

REF	PART NO.	DESCRIPTION	COMMENTS
1	58755	L.P. Orifice	Liquid Petroleum Gas (L.P.); 7500-10999 feet (2290-3354 m)
	503786	L.P. Orifice	L.P.; 11000 feet (3355 m) and higher
	503776	N.G. Orifice	Natural Gas (N.G.); 2000-2999 feet (610-914 m)
	510517	N.G. Orifice	N.G.; 3000-5499 feet (915-1679 m)
	503778	N.G. Orifice	N.G.; 5500-6999 feet (1680-2134 m)
	58719	Screw Orifice	N.G.; 7000-8999 feet (2135-2744 m)
	503779	N.G. Orifice	N.G.; 9000-10499 feet (2745-3199 m)
	503780	N.G. Orifice	N.G.; 10500 feet (3200 m) and higher

Cabinet, Exhaust Duct and Base



DRY2218P_510298

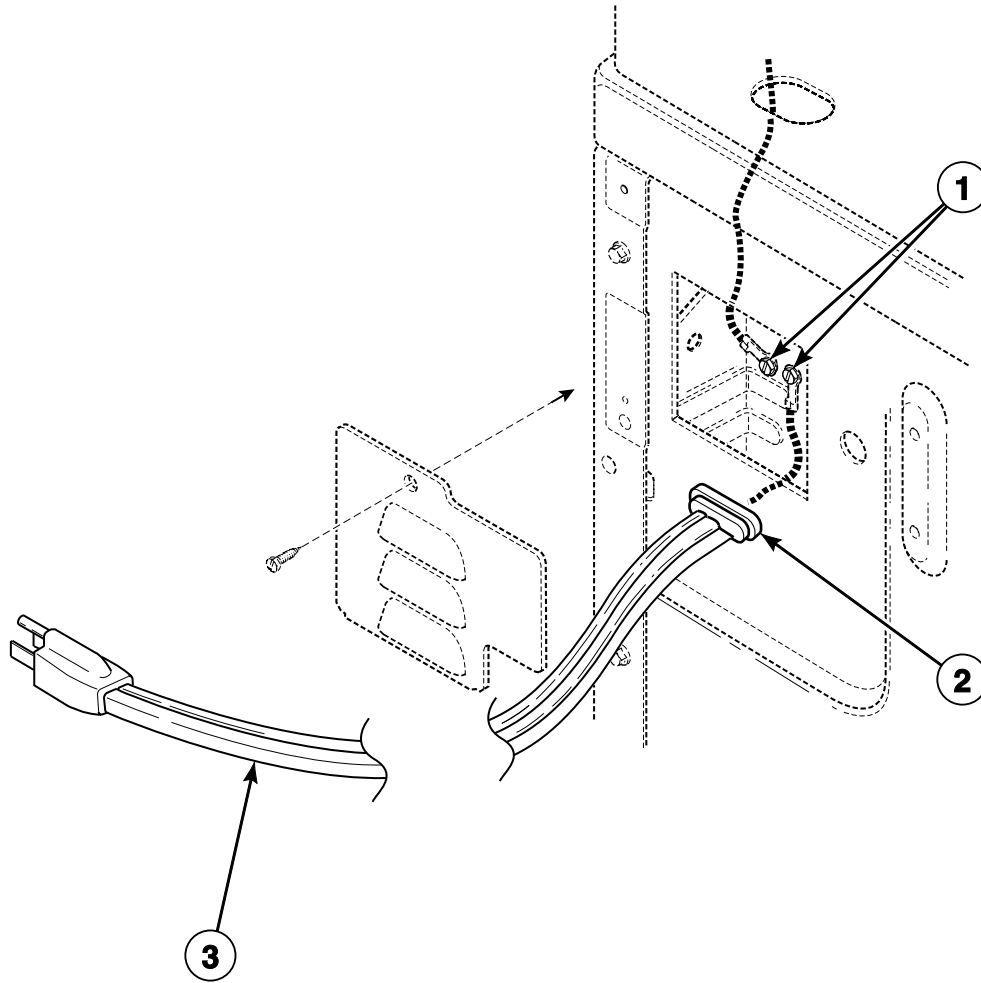
Cabinet, Exhaust Duct and Base

REF	PART NO.	DESCRIPTION	COMMENTS
1	56079	Panel Locator	
2	512921	Screw	Use with stainless steel panels
	39733	Screw	Use with painted panels
3	56128	Bumper Pad	
4	510337	Frame Gusset	
5	510136	Top Hinge	
6	503688	Screw	
7	511004	Gas Clearance Label	Gas models
8	502791	Venting Instruction Label	
9	510005P	Cabinet Rear Panel	
10	803260	Warning Label	Disconnect power; Models BDE807*F, JDE807*F, SDE807*F and UDE807*F
11	547P3	Coin Cabinet Hardware Kit	Models BDE907*F, BDET07*F, BDEX07*F, BDGT09*F, HDE107*F, HDE907*F, HDEB07*J99L1, HDEB07*J99L2, HDET07*F, HDET07*F1500, HDEZ07*F, HDEZ07*F1500, HDG109*F, HDG909*F, HDGB09*J99L1, HDGT09*F, HDGZ09*F, JDE907*F, JDG909*F, SDE107*F, SDE107*F1500, SDE107*F1724, SDE107*F99L6, SDE107*F99L7, SDE307*F, SDE307*F1500, SDE407*F, SDE407*F1500, SDE507*F, SDE507*F1500, SDE907*F, SDE907*F1500, SDE907*F1724, SDEA07*J, SDEA07*J1500, SDEB07*J, SDEB07*J1500, SDEBCRGS171TW02, SDEBXRGS171TW02, SDEH07*J, SDEH07*J1500, SDESXRGS171TW02, SDET07*F, SDET07*F1500, SDEX07*F, SDEX07*F1500, SDEZ07*F, SDEZ07*F1500, SDG109*F, SDG109*F1124, SDG109*F99L6, SDG109*F99L7, SDG309*F, SDG409*F, SDG509*F, SDG909*F, SDG909*F1124, SDGA09*J, SDGB09*J, SDGBCRGS111TW02, SDGBXRGS111TW02, SDGH09*J, SDGSXRGS111TW02, SDGT09*F, SDGX09*F and SDGZ09*F
12	58786	Damper	Use when connecting to a manifold vent system
13	521P3	Flexible Venting Kit	
14	510903	Access Panel Plate	
15	N/A	Label	
16	511005	Electric Clearance Label	Electric models
17	510137	Exhaust Duct	Each dryer requires 2 pieces
18	510002GP	Cabinet Side Panel	Gray; Right
	512539	Cabinet Side Panel	Stainless steel; Right; Models KFEG17NF, KFET17NF, KFEY17NF, KFGG19NF, KFGT19NF and KFGY19NF
	512952	Cabinet Side Panel	Stainless steel; Right; All other models
	510002WP	Cabinet Side Panel	White; Right; All other models
	510002LP	Cabinet Side Panel	Almond; Right; All other models
	510002QP	Cabinet Side Panel	Bisque; Right; All other models
19	528P3	Directional Exhaust Kit	Used to vent dryer out the sides or bottom
20	526P3	Hold Down Kit	For mobile home installations
21	513901	Dryer Base	
22	510135	Leveling Leg	
23	501855	Rubber Foot	
24	510001GP	Cabinet Side Panel	Gray; Left
	512538	Cabinet Side Panel	Stainless steel; Left; Models KFEG17NF, KFET17NF, KFEY17NF, KFGG19NF, KFGT19NF and KFGY19NF
	512951	Cabinet Side Panel	Stainless steel; Left; All other models
	510001WP	Cabinet Side Panel	White; Left; All other models
	510001LP	Cabinet Side Panel	Almond; Left; All other models
	510001QP	Cabinet Side Panel	Bisque; Left; All other models

* Add Letter To Designate Color. L - Almond Q - Bisque W - White

N/A = Part no longer available

Power Cord

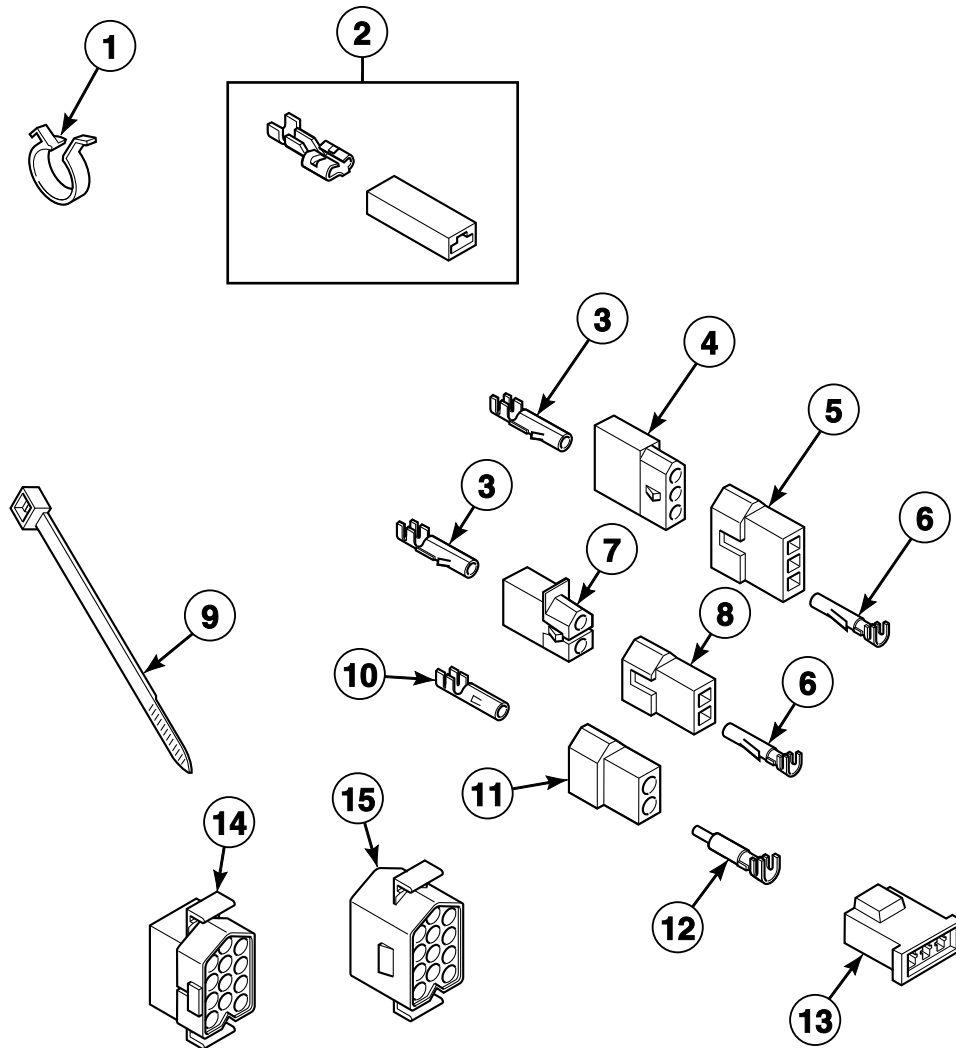


DRY1879P_510298

Power Cord

REF	PART NO.	DESCRIPTION	COMMENTS
1	513071	Screw	Models BDEBCFGS171TN01, BDEBEFGS171TN01, BDGBCFGS111TN01, BDGBEFGS111TN01, KFET17NF and KFGT19NF
	20530	Screw	All other models
2	38384	Strain Relief	Gas models
3	56222	Lead-In Cord	Gas models

Terminal Block and Terminals (Drawing 1 of 2)

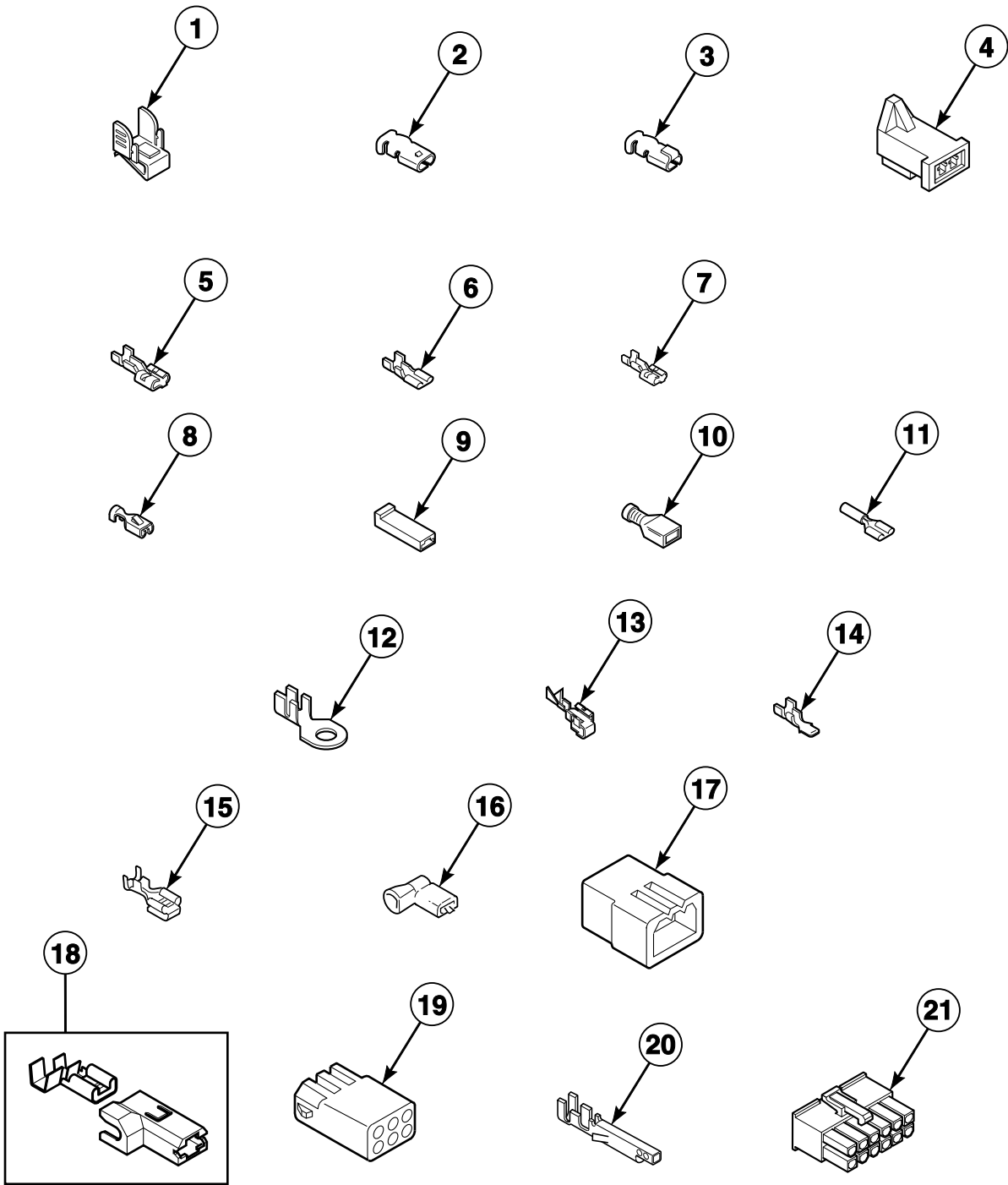


DRY2038P_510298

Terminal Block and Terminals (Drawing 1 of 2)

REF	PART NO.	DESCRIPTION	COMMENTS
1	504034	Wire Clip	11/16 inch
	687500	Wire Clip	1 inch
2	00360	Insulated Female Spade Terminal	(1) 12 gauge wire or (2) 18 gauge wires
3	00117	Female Pin Terminal	
4	23039	3 Circuit Receptacle	
5	23040	Plug	3 circuit
6	00116	Male Pin Terminal	
7	56451	2 Circuit Receptacle	
8	56448	2 Circuit Plug	
9	55881	Harness Strap	
10	00128	Female Pin Terminal	1/8 inch; 10-14 gauge wire
	00130	Female Pin Terminal	1/8 inch; 16-18 gauge wire
11	56266	2 Circuit Plug	
12	00127	Male Pin Terminal	1/8 inch; 10-14 gauge wire
	00129	Male Pin Terminal	1/8 inch; 16-18 gauge wire
13	58800	3 Circuit Connector	
14	54522	Plug	
15	56855	12 Circuit Receptacle	

Terminal Block and Terminals (Drawing 2 of 2)



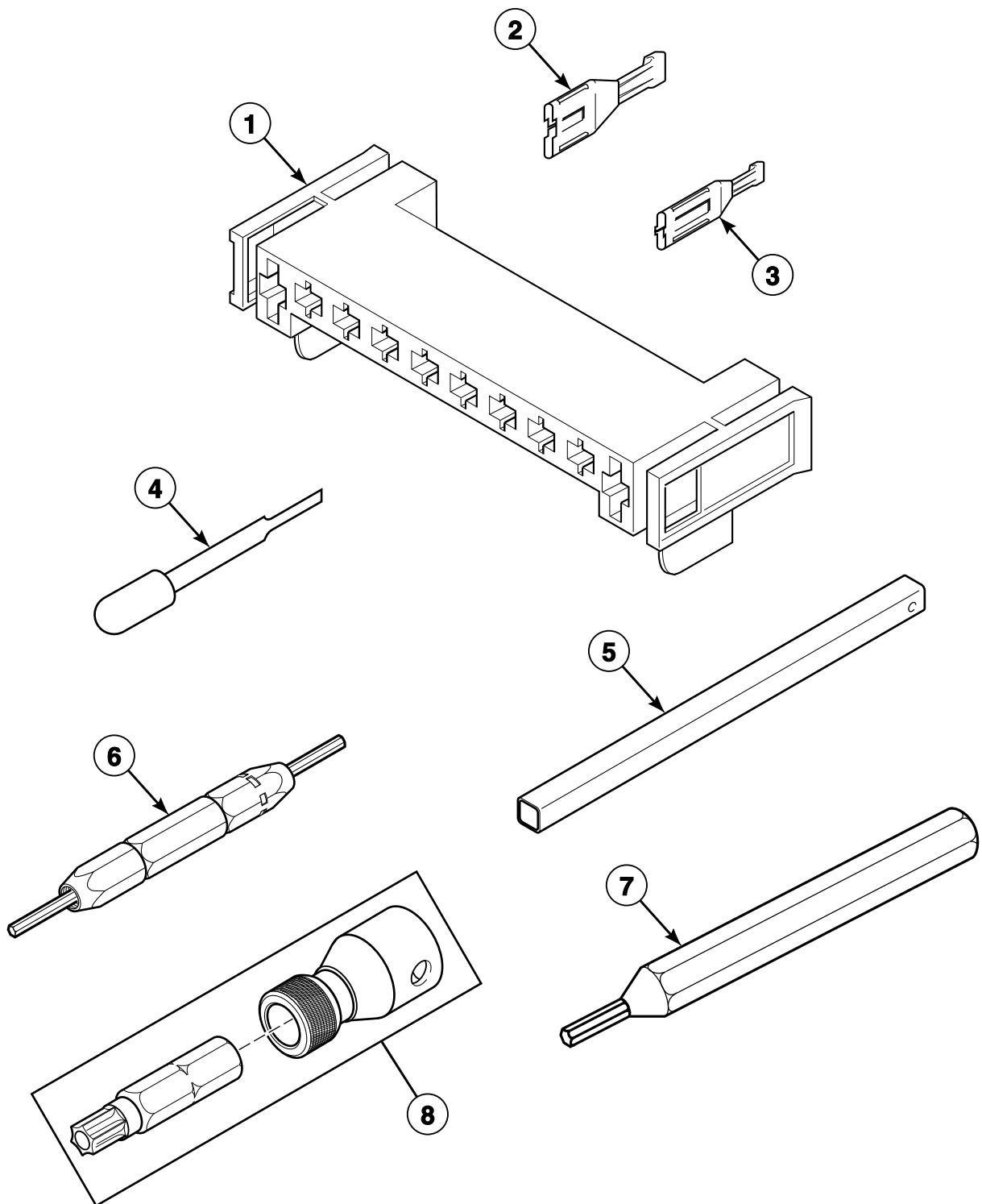
DRY1893P_510298

Terminal Block and Terminals (Drawing 2 of 2)

REF	PART NO.	DESCRIPTION	COMMENTS
1	00161	Grounding Clip	
2	00189	Female Spade Terminal	1/8 inch
3	00361	Female Piggyback Terminal	
4	58799	2 Circuit Connector	
5	00223	Female Spade Terminal	1/4 inch; (1) 18 gauge wire
	00121	Female Spade Terminal	1/4 inch; (2) 18 gauge wires or (1) 12 gauge wire
	00245	Spade Terminal	1/4 inch; (1) 22 gauge wire
6	00124	Female Spade Terminal	3/16 inch; (1) 18 gauge wire; .020 tab
7	00222	Female Spade Terminal	1/4 inch
8	00115	Female Spade Terminal	1/4 inch; (1) 18 gauge wire
	N/A	Female Spade Terminal	1/4 inch; (2) 18 gauge wires or (1) 12 gauge wire
9	90789	Receptacle Housing	
10	00359	Insulated Female Spade Terminal	1/4 inch
11	N/A	Pre-Insulated Spade Terminal	1/4 inch; (1) 18 gauge wire or (1) 12 gauge wire
12	00110	Ring Terminal	No. 10; (1) 18 gauge wire
	N/A	Ring Terminal	No. 14; 18 gauge
13	00114	Female Spade Terminal	1/4 inch; Double connector
14	00139	Male Tab Terminal	1/4 inch; (2) 18 gauge wires or (1) 12 gauge wire
15	00344	Female Tab Terminal	1/4 inch
16	N/A	Flag Insulated Terminal	3/16 inch
17	23033	9 Circuit Plug	
	26302	1 Circuit Plug	
18	00221	Insulated Female Flag Terminal	
19	26708	6 Circuit Receptacle	
	26301	1 Circuit Receptacle	
20	00252	Terminal	
21	34596	10 Circuit Receptacle	
	501333	12 Circuit Receptacle	

N/A = Part no longer available

Terminals and Terminal Extractor Tools



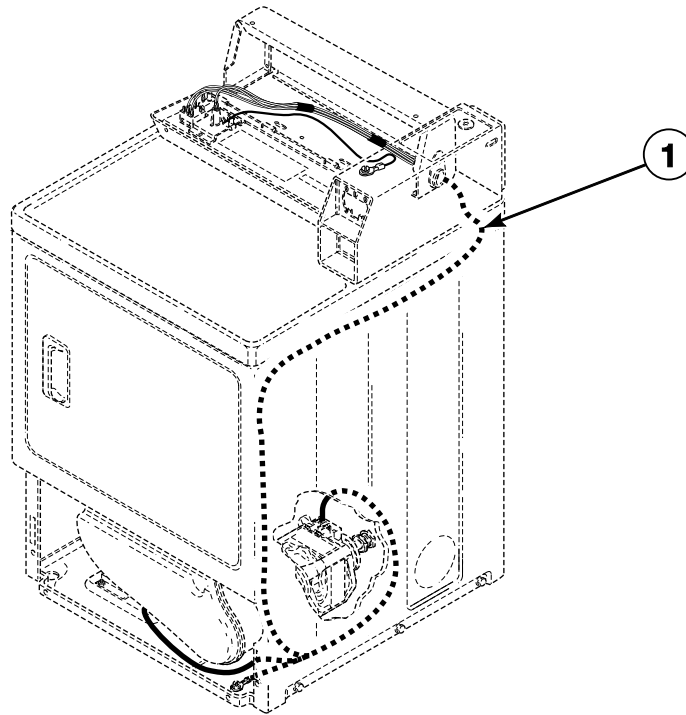
DRY2066P_510298

Terminals and Terminal Extractor Tools

REF	PART NO.	DESCRIPTION	COMMENTS
1	500338	10 Position Housing	
2	00255	Female Terminal	1/4 inch; (1) 12 gauge wire; Electric models
	00256	Female Terminal	1/4 inch; (1) or (2) 18 gauge wires
3	00188	Female Terminal	For 1 or 2 wire application
4	283P4	Terminal Extractor Tool	For use on Molex connectors
5	310P4	Ratchet Extension Tool	1/4 inch; For coin drop installation
6	190P4	Extractor Tool	For use on electric dryer terminals
7	128P4	Extractor Tool	For use on gas dryer terminals
8	281P4	Torx Bit	T15 Tamper Resistant Bit
	282P4	Torx Bit	Use with 62853 Screw on access panel; T25 Tamper Resistant Bit
	292P4	Torx Bit	T20 Standard Bit
	24161	Bit Holder	Use with 62853 Screw on access panel; 3/8 inch
	93501	Torx Drive Tool	T10 Standard Bit

Wire Harnesses and Wires - Rear Control Models

Models HDE007*F, HDE107*F, HDEB07*J99L1, HDEB07*J99L2, HDET07*F1500, HDEY07*F1500, HDEZ07*F, HDEZ07*F1500, HDG009*F, HDG109*F, HDGB09*J99L1, HDGZ09*F, SDE007*F, SDE007*F1500, SDE107*F, SDE107*F1500, SDE107*F1724, SDE107*F99L6, SDE107*F99L7, SDE307*F, SDE307*F1500, SDE407*F, SDE407*F1500, SDE507*F, SDE507*F1500, SDE607*F, SDE607*F1500, SDE707*F, SDE707*F1500, SDEA07*J, SDEA07*J1500, SDEB07*J, SDEB07*J1500, SDEC07*J, SDEF07*J, SDEF07*J1500, SDEH07*J, SDEH07*J1500, SDEZ07*F, SDEZ07*F1500, SDG009*F, SDG109*F, SDG109*F1124, SDG109*F99L6, SDG109*F99L7, SDG309*F, SDG409*F, SDG509*F, SDG609*F, SDG709*F, SDGA09*J, SDGB09*J, SDGC09*J, SDGF09*J, SDGH09*J, SDGZ09*F, UDE007*F and UDG009*F



DRY2167P_510298

Wire Harnesses and Wires - Rear Control Models

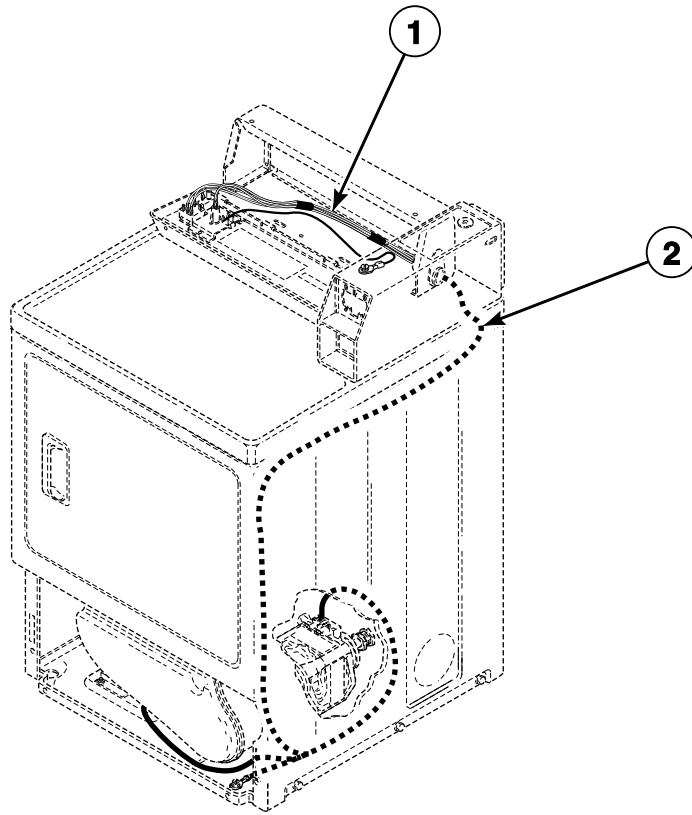
REF	PART NO.	DESCRIPTION	COMMENTS
	45001	18 Gauge Wire	Black; Order wire by foot; Order terminals and connectors as required
	45380	12 Gauge Wire	Orange; Order wire by foot; Order terminals and connectors as required
1	510400P	Wire Harness Assembly	Models HDE107*F, SDE107*F, SDE107*F1500, SDE107*F1724, SDE107*F99L6, SDE107*F99L7, SDE307*F and SDE307*F1500
	510401P	Wire Harness Assembly	Models HDG109*F, SDG109*F, SDG109*F1124, SDG109*F99L6, SDG109*F99L7 and SDG309*F
	510404P	Wire Harness Assembly	Models HDE007*F, SDE007*F, SDE007*F1500 and UDE007*F
	510405P	Wire Harness Assembly	Models HDG009*F, SDG009*F and UDG009*F
	510406P	Wire Harness Assembly	Models SDE407*F, SDE407*F1500, SDE507*F, SDE507*F1500, SDE607*F, SDE607*F1500, SDE707*F and SDE707*F1500
	510407P	Wire Harness Assembly	Models SDG409*F, SDG509*F, SDG609*F and SDG709*F
	510482P	Wire Harness Assembly	Models HDEB07*J99L1, HDEB07*J99L2, HDET07*F1500, HDEY07*F1500, HDEZ07*F, HDEZ07*F1500, SDEA07*J, SDEA07*J1500, SDEB07*J, SDEB07*J1500, SDEC07*J, SDEF07*J, SDEF07*J1500, SDEH07*J, SDEH07*J1500, SDEZ07*F and SDEZ07*F1500
	510485P	Wire Harness Assembly	Models HDGB09*J99L1, HDGZ09*F, SDGA09*J, SDGB09*J, SDGC09*J, SDGF09*J, SDGH09*J and SDGZ09*F

* Add Letter To Designate Color. L - Almond Q - Bisque W - White

NOTE: Individual wires are not available separately. Order complete harness, or order wire by the foot. When applying terminals to wires, it is recommended that the terminals be soldered to the wires.

Wire Harnesses and Wires - Rear Control Models Through Serial No. 1207

Models BDE807*F, BDE907*F, HDE907*F, HDG909*F, JDE807*F, JDE907*F, JDG809*F, JDG909*F, SDE807*F, SDE807*F1500, SDE907*F, SDE907*F1500, SDE907*F1724, SDESXRGS171TW02, SDG809*F, SDG909*F, SDG909*F1124, SDGSXRGS111TW02, UDE807*F and UDG809*F



DRY2039P_510298

Wire Harnesses and Wires - Rear Control Models Through Serial No. 1207

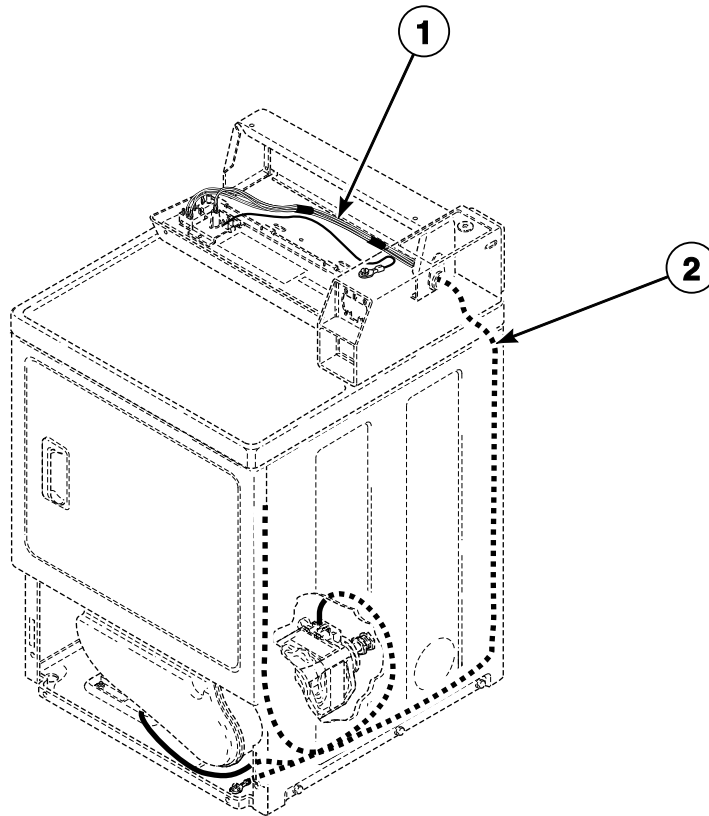
REF	PART NO.	DESCRIPTION	COMMENTS
	45001	18 Gauge Wire	Black; Order wire by foot; Order terminals and connectors as required
	45380	12 Gauge Wire	Orange; Order wire by foot; Order terminals and connectors as required
1	512140	Wire Harness Assembly	Some models may have a 3/16 inch spade terminal on the coin slide switch; When replacing the harness on these models, the switch mount assembly must also be replaced; Models BDE907*F, HDE907*F, HDG909*F, JDE907*F, JDG909*F, SDE907*F, SDE907*F1500, SDE907*F1724, SDESXRGs171TW02, SDG909*F, SDG909*F1124 and SDGSXRGs111TW02
	512510	Hood Harness	Models BDE807*F, JDE807*F, JDG809*F, SDE807*F, SDE807*F1500, SDG809*F, UDE807*F and UDG809*F
2	511790P	Electronic Harness	Models BDE907*F, HDE907*F, JDE907*F, SDE907*F, SDE907*F1500, SDE907*F1724 and SDESXRGs171TW02
	511789P	Electronic Harness	Models HDG909*F, JDG909*F, SDG909*F, SDG909*F1124 and SDGSXRGs111TW02
	512512	Wire Harness Assembly	Models BDE807*F, JDE807*F, SDE807*F, SDE807*F1500 and UDE807*F
	512511P	Wire Harness Assembly	Models JDG809*F, SDG809*F and UDG809*F

* Add Letter To Designate Color. L - Almond Q - Bisque W - White

NOTE: Individual wires are not available separately. Order complete harness, or order wire by the foot. When applying terminals to wires, it is recommended that the terminals be soldered to the wires.

Wire Harnesses and Wires - Rear Control Models Starting Serial No. 1207 (Drawing 1 of 2)

Models BDE807*F, BDE907*F, HDE907*F, HDG909*F, JDE807*F, JDE907*F, JDG809*F, JDG909*F, SDE807*F, SDE807*F1500, SDE907*F, SDE907*F1500, SDE907*F1724, SDESXRGS171TW02, SDG809*F, SDG909*F, SDG909*F1124, SDGSXRGS111TW02, UDE807*F and UDG809*F



DRY2271P_510298

Wire Harnesses and Wires - Rear Control Models Starting Serial No. 1207 (Drawing 1 of 2)

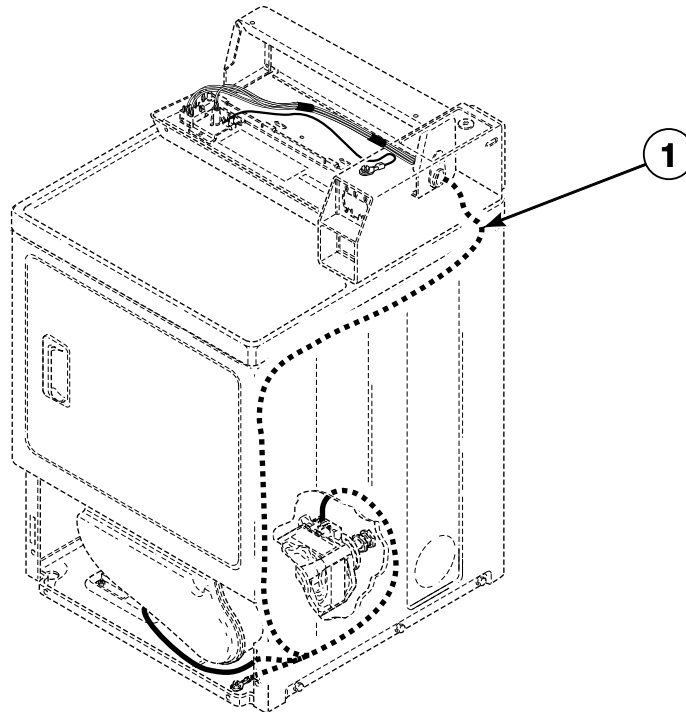
REF	PART NO.	DESCRIPTION	COMMENTS
	45001	18 Gauge Wire	Black; Order wire by foot; Order terminals and connectors as required
	45380	12 Gauge Wire	Orange; Order wire by foot; Order terminals and connectors as required
1	512140	Wire Harness Assembly	Some models may have a 3/16 inch spade terminal on the coin slide switch; When replacing the harness on these models, the switch mount assembly must also be replaced; Models BDE907*F, HDE907*F, HDG909*F, JDE907*F, JDG909*F, SDE907*F, SDE907*F1500, SDE907*F1724, SDESXRG171TW02, SDG909*F, SDG909*F1124 and SDGSXRG111TW02
	512510	Hood Harness	Models BDE807*F, JDE807*F, JDG809*F, SDE807*F, SDE807*F1500, SDG809*F, UDE807*F and UDG809*F
2	513668	Electronic Harness	Models BDE907*F, HDE907*F, JDE907*F, SDE907*F, SDE907*F1500, SDE907*F1724 and SDESXRG171TW02; Models through Serial No. 1303025314
	513944	Electronic Harness	Models BDE907*F, HDE907*F, JDE907*F, SDE907*F, SDE907*F1500, SDE907*F1724 and SDESXRG171TW02; Models starting Serial No. 1303025315
	513669	Electronic Harness	Models HDG909*F, JDG909*F, SDG909*F, SDG909*F1124 and SDGSXRG111TW02
	513670	Wire Harness Assembly	Models BDE807*F, JDE807*F, SDE807*F, SDE807*F1500 and UDE807*F; Models through Serial No. 1303025314
	514098	Harness Assembly	Models BDE807*F, JDE807*F, SDE807*F, SDE807*F1500 and UDE807*F; Models starting Serial No. 1303025315
	513675	Wire Harness Assembly	Models JDG809*F, SDG809*F and UDG809*F

* Add Letter To Designate Color. L - Almond Q - Bisque W - White

NOTE: Individual wires are not available separately. Order complete harness, or order wire by the foot. When applying terminals to wires, it is recommended that the terminals be soldered to the wires.

Wire Harnesses and Wires - Rear Control Models Through Serial No. 0904

Models BDEBYRGS171TW01, BDGBYRGS111TW01, BDET07*F, BDEX07*F, BDGT09*F, HDET07*F, HDEY07*F, HDGT09*F, HDGY09*F, SDET07*F, SDET07*F1500, SDEX07*F, SDEX07*F1500, SDEY07*F, SDEY07*F1500, SDGT09*F, SDGX09*F and SDGY09*F



DRY2167P_510298

Wire Harnesses and Wires - Rear Control Models Through Serial No. 0904

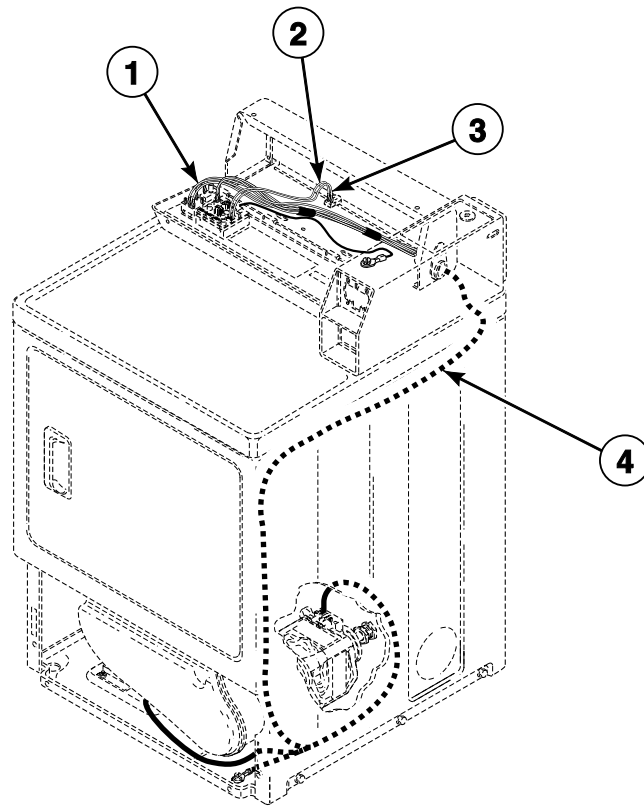
REF	PART NO.	DESCRIPTION	COMMENTS
	45001	18 Gauge Wire	Black; Order wire by foot; Order terminals and connectors as required
	45380	12 Gauge Wire	Orange; Order wire by foot; Order terminals and connectors as required
1	510482P	Wire Harness Assembly	Models BDEBYRGS171TW01, BDET07*F, BDEX07*F, HDET07*F, HDEY07*F, SDET07*F, SDET07*F1500, SDEX07*F, SDEX07*F1500, SDEY07*F and SDEY07*F1500
	510485P	Wire Harness Assembly	Models BDGBYRGS111TW01, BDGT09*F, HDGT09*F, HDGY09*F, SDGT09*F, SDGX09*F and SDGY09*F

* Add Letter To Designate Color. L - Almond Q - Bisque W - White

NOTE: Individual wires are not available separately. Order complete harness, or order wire by the foot. When applying terminals to wires, it is recommended that the terminals be soldered to the wires.

Wire Harnesses and Wires - Rear Control Models Starting Serial No. 0904 and Continuing Through Serial No. 1207

Models BDEBYRGS171TW01, BDGBYRGS111TW01, BDET07*F, BDEX07*F, BDGT09*F, HDET07*F, HDEY07*F, HDGT09*F, HDGY09*F, SDEBCRGS171TW02, SDEBXRGS171TW02, SDET07*F, SDET07*F1500, SDEX07*F, SDEX07*F1500, SDEY07*F, SDEY07*F1500, SDGBCRGS111TW02, SDGBXRGS111TW02, SDGT09*F, SDGX09*F and SDGY09*F



DRY2164P_510298

Wire Harnesses and Wires - Rear Control Models Starting Serial No. 0904 and Continuing Through Serial No. 1207

REF	PART NO.	DESCRIPTION	COMMENTS
	45001	18 Gauge Wire	Black; Order wire by foot; Order terminals and connectors as required
	45380	12 Gauge Wire	Orange; Order wire by foot; Order terminals and connectors as required
1	512422P	Wire Harness Assembly	
2	512273P	Wire Configuration Assembly	
3	512275P	Wire Configuration Assembly	
4	511789P	Electronic Harness	Models BDGBYRGS111TW01, BDGT09*F, HDGT09*F, HDGY09*F, SDGBCRGS111TW02, SDGBXRGS111TW02, SDGT09*F, SDGX09*F and SDGY09*F
	511790P	Electronic Harness	Models BDEBYRGS171TW01, BDET07*F, BDEX07*F, HDET07*F, HDEY07*F, SDEBCRGS171TW02, SDEBXRGS171TW02, SDET07*F, SDET07*F1500, SDEX07*F, SDEX07*F1500, SDEY07*F and SDEY07*F1500

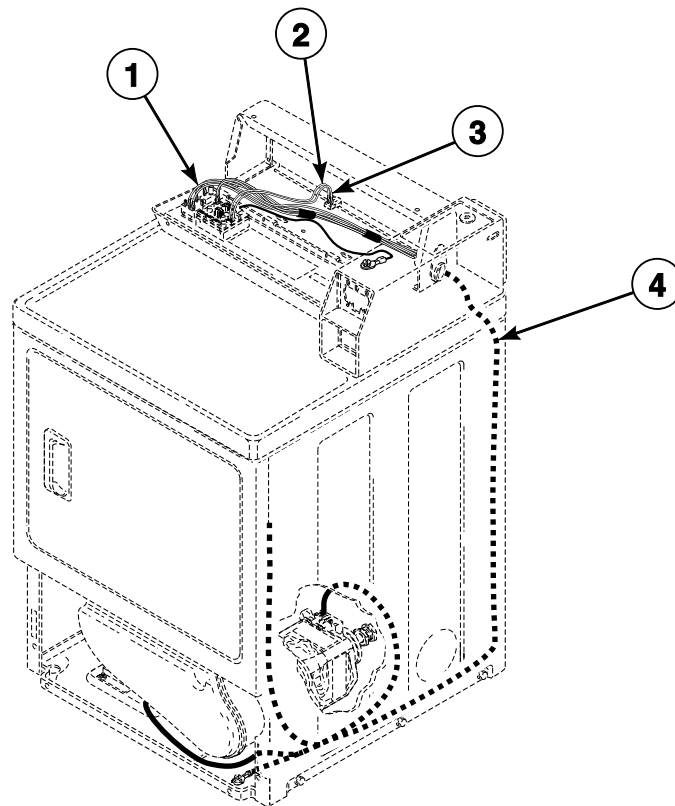
* Add Letter To Designate Color. L - Almond N - Stainless Steel Q - Bisque W - White

NOTE: Individual wires are not available separately. Order complete harness, or order wire by the foot. When applying terminals to wires, it is recommended that the terminals be soldered to the wires.

NOTE: Some models built after Serial No. 0904 may come equipped with one harness. If replacement of harness is necessary, replace with harness listed for model on *Wire Harnesses and Wires - Rear Control Models Through Serial No. 0904*.

Wire Harnesses and Wires - Rear Control Models Starting Serial No. 1207 (Drawing 2 of 2)

Models BDEBYRGS171TW01, BDGBYRGS111TW01, BDET07*F, BDEX07*F, BDGT09*F, HDET07*F, HDEY07*F, HDGT09*F, HDGY09*F, SDEBCRGS171TW02, SDEBXRGS171TW02, SDET07*F, SDET07*F1500, SDEX07*F, SDEX07*F1500, SDEY07*F, SDEY07*F1500, SDGBCRGS111TW02, SDGBXRGS111TW02, SDGT09*F, SDGX09*F and SDGY09*F



DRY2272P_510298

Wire Harnesses and Wires - Rear Control Models Starting Serial No. 1207 (Drawing 2 of 2)

REF	PART NO.	DESCRIPTION	COMMENTS
	45001	18 Gauge Wire	Black; Order wire by foot; Order terminals and connectors as required
	45380	12 Gauge Wire	Orange; Order wire by foot; Order terminals and connectors as required
1	512422P	Wire Harness Assembly	
2	512273P	Wire Configuration Assembly	
3	512275P	Wire Configuration Assembly	
4	513669	Electronic Harness	Models BDGBYRGS111TW01, BDGT09*F, HDGT09*F, HDGY09*F, SDGBCRGS111TW02, SDGBXRGS111TW02, SDGT09*F, SDGX09*F and SDGY09*F
	513668	Electronic Harness	Models BDEBYRGS171TW01, BDET07*F, BDEX07*F, HDET07*F, HDEY07*F, SDEBCRGS171TW02, SDEBXRGS171TW02, SDET07*F, SDET07*F1500, SDEX07*F, SDEX07*F1500, SDEY07*F and SDEY07*F1500; Models through Serial No. 1303025314
	513944	Electronic Harness	Models BDEBYRGS171TW01, BDET07*F, BDEX07*F, HDET07*F, HDEY07*F, SDEBCRGS171TW02, SDEBXRGS171TW02, SDET07*F, SDET07*F1500, SDEX07*F, SDEX07*F1500, SDEY07*F and SDEY07*F1500; Models starting Serial No. 1303025315

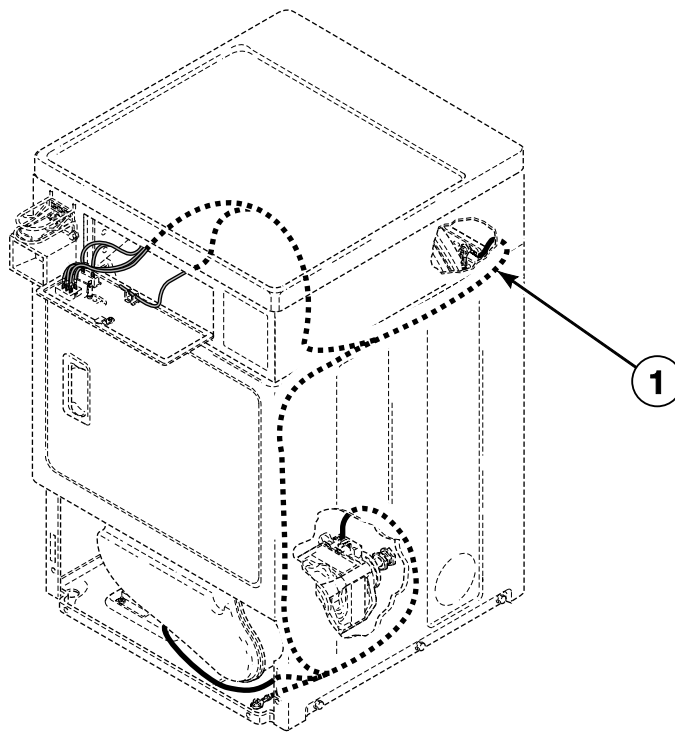
* Add Letter To Designate Color. L - Almond N - Stainless Steel Q - Bisque W - White

NOTE: Individual wires are not available separately. Order complete harness, or order wire by the foot. When applying terminals to wires, it is recommended that the terminals be soldered to the wires.

NOTE: Some models built after Serial No. 0904 may come equipped with one harness. If replacement of harness is necessary, replace with harness listed for model on *Wire Harnesses and Wires - Rear Control Models Through Serial No. 0904*.

Wire Harnesses and Wires - Front Control Models

Models KFEY17NF, KFGG19NF, KFGT19NF, KFGY19NF, SFE107*F, SFE407*F, SFE507*F, SFE507*F1500, SFE707*F, SFEB07*J, SFEF07*J, SFEZ07*F, SFG109*F, SFG409*F, SFG509*F, SFG709*F, SFGB09*J, SFGF09*J and SFGZ09*F



DRY2166P_510298

Wire Harnesses and Wires - Front Control Models

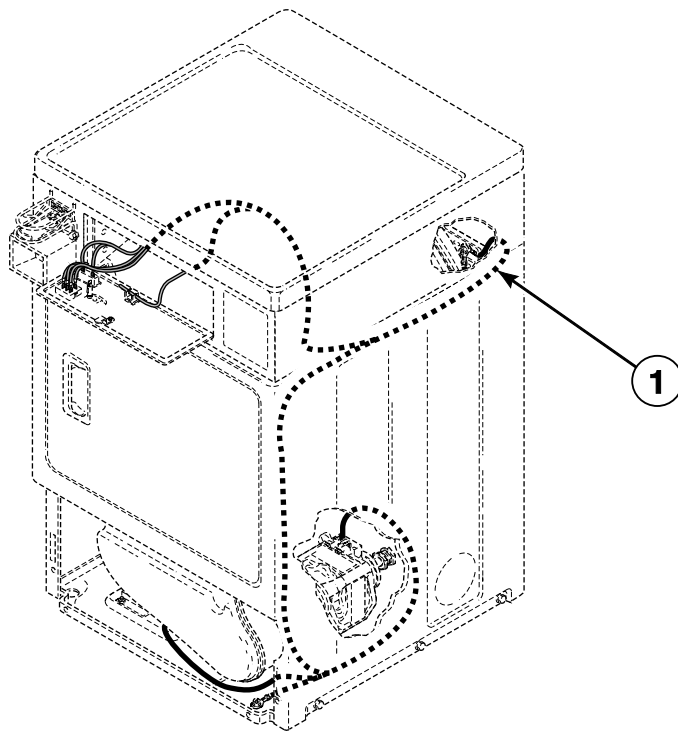
REF	PART NO.	DESCRIPTION	COMMENTS
	45001	18 Gauge Wire	Black; Order wire by foot; Order terminals and connectors as required
	45380	12 Gauge Wire	Orange; Order wire by foot; Order terminals and connectors as required
1	510410P	Wire Harness Assembly	Models SFE407*F, SFE507*F, SFE507*F1500 and SFE707*F
	510411P	Wire Harness Assembly	Models SFG409*F, SFG509*F and SFG709*F
	510414P	Wire Harness Assembly	Model SFE107*F
	510419P	Wire Harness Assembly	Model SFG109*F
	510487P	Wire Harness Assembly	Models SFGB09*J, SFGF09*J and SFGZ09*F
	510488P	Wire Harness Assembly	Models SFEB07*J, SFEF07*J and SFEZ07*F
	512728P	Wire Harness Assembly	Model KFEY17NF
	512729	Wire Harness Assembly	Models KFGG19NF, KFGT19NF and KFGY19NF

* Add Letter To Designate Color. L - Almond Q - Bisque W - White

NOTE: Individual wires are not available separately. Order complete harness, or order wire by the foot. When applying terminals to wires, it is recommended that the terminals be soldered to the wires.

Wire Harnesses and Wires - Front Control Models Through Serial No. 1303

Models KFEG17NF and KFET17NF



DRY2166P_510298

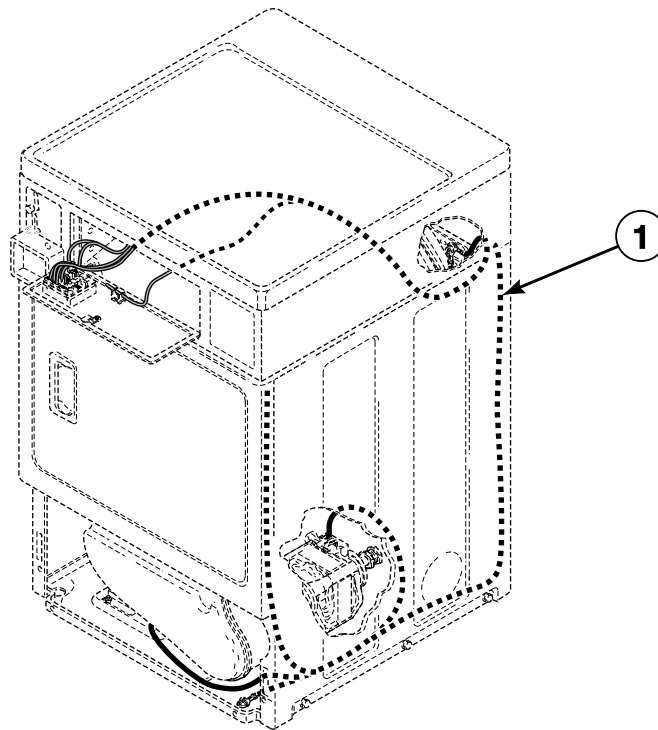
Wire Harnesses and Wires - Front Control Models Through Serial No. 1303

REF	PART NO.	DESCRIPTION	COMMENTS
	45001	18 Gauge Wire	Black; Order wire by foot; Order terminals and connectors as required
	45380	12 Gauge Wire	Orange; Order wire by foot; Order terminals and connectors as required
1	512728P	Wire Harness Assembly	

NOTE: Individual wires are not available separately. Order complete harness, or order wire by the foot. When applying terminals to wires, it is recommended that the terminals be soldered to the wires.

Wire Harnesses and Wires - Front Control Models Starting Serial No. 1303 (Drawing 1 of 2)

Models KFEG17NF and KFET17NF



DRY2286P_510298

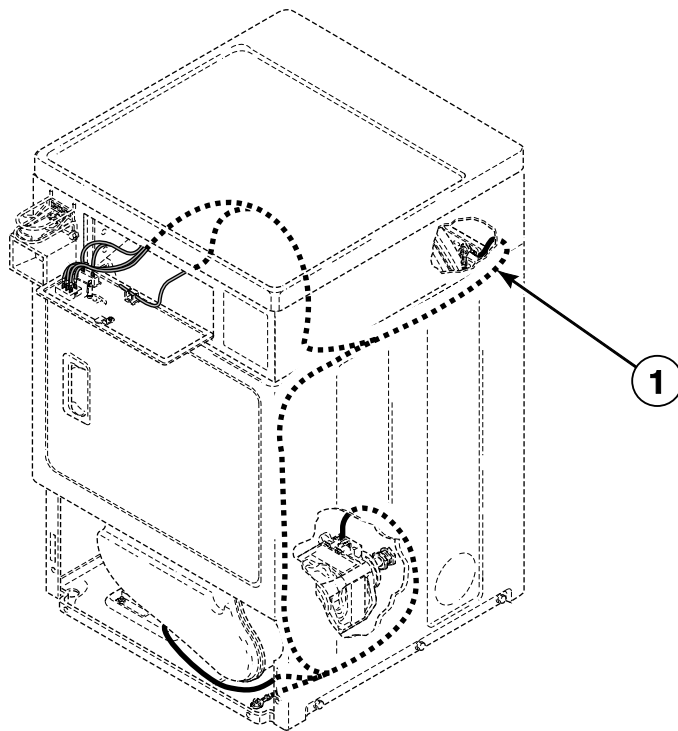
Wire Harnesses and Wires - Front Control Models Starting Serial No. 1303 (Drawing 1 of 2)

REF	PART NO.	DESCRIPTION	COMMENTS
	45001	18 Gauge Wire	Black; Order wire by foot; Order terminals and connectors as required
	45380	12 Gauge Wire	Orange; Order wire by foot; Order terminals and connectors as required
1	514092	Electronic Harness	

NOTE: Individual wires are not available separately. Order complete harness, or order wire by the foot. When applying terminals to wires, it is recommended that the terminals be soldered to the wires.

Wire Harnesses and Wires - Front Control Models Through Serial No. 0904

Models SFET07*F, SFEX07*F, SFEY07*F, SFGT09*F, SFGX09*F and SFGY09*F



DRY2166P_510298

Wire Harnesses and Wires - Front Control Models Through Serial No. 0904

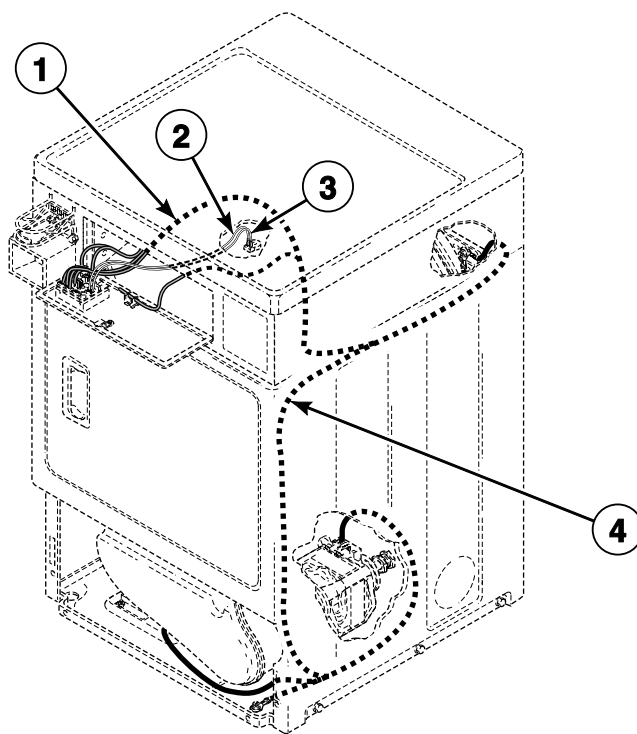
REF	PART NO.	DESCRIPTION	COMMENTS
	45001	18 Gauge Wire	Black; Order wire by foot; Order terminals and connectors as required
	45380	12 Gauge Wire	Orange; Order wire by foot; Order terminals and connectors as required
1	510487P	Wire Harness Assembly	Models SFGT09*F, SFGX09*F and SFGY09*F
	510488P	Wire Harness Assembly	Models SFET07*F, SFEX07*F and SFEY07*F

* Add Letter To Designate Color. L - Almond Q - Bisque W - White

NOTE: Individual wires are not available separately. Order complete harness, or order wire by the foot. When applying terminals to wires, it is recommended that the terminals be soldered to the wires.

Wire Harnesses and Wires - Front Control Models Starting Serial No. 0904

Models BDEBEFGS171TN01, BDEBEFGS171TW01, BDGBCFGS111TN01, BDGBCFGS111TW01,
BDGBEFGS111TN01, BDGBEFGS111TW01, BFGX09*F, SFGT09*F, SFGX09*F and SFGY09*F



DRY2165P_510298

Wire Harnesses and Wires - Front Control Models Starting Serial No. 0904

REF	PART NO.	DESCRIPTION	COMMENTS
	45001	18 Gauge Wire	Black; Order wire by foot; Order terminals and connectors as required
	45380	12 Gauge Wire	Orange; Order wire by foot; Order terminals and connectors as required
1	512422P	Wire Harness Assembly	
2	512273P	Wire Configuration Assembly	
3	512275P	Wire Configuration Assembly	
4	511795P	Electronic Harness	Models BDGBCFGS111TN01, BDGBCFGS111TW01, BDGBEFGS111TN01, BDGBEFGS111TW01, BFGX09*F, SFGT09*F, SFGX09*F and SFGY09*F
	511794P	Electronic Harness	Models BDEBEFGS171TN01 and BDEBEFGS171TW01

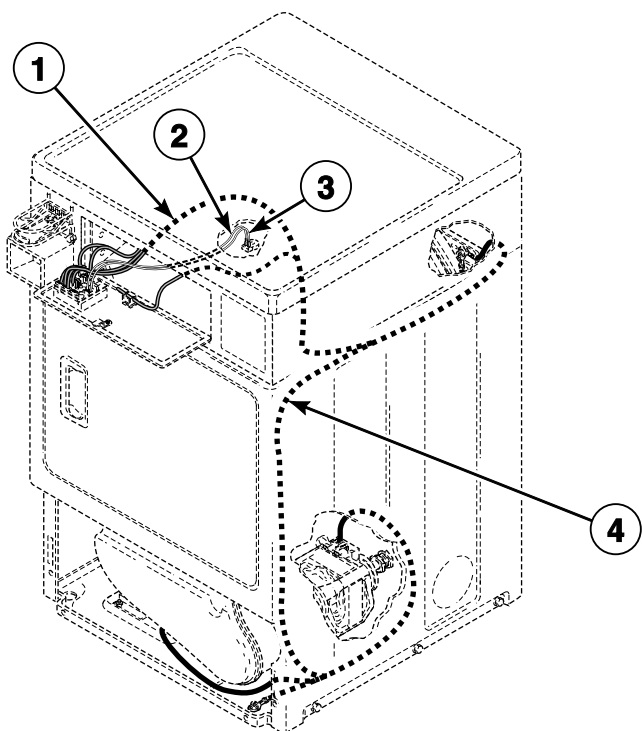
* Add Letter To Designate Color. L - Almond N - Stainless Steel Q - Bisque W - White

NOTE: Individual wires are not available separately. Order complete harness, or order wire by the foot. When applying terminals to wires, it is recommended that the terminals be soldered to the wires.

NOTE: Some models built after Serial No. 0904 may come equipped with one harness. If replacement of harness is necessary, replace with harness listed for model on *Wire Harnesses and Wires - Front Control Models Through Serial No. 0904*.

Wire Harnesses and Wires - Front Control Models Starting Serial No. 0904 and Continuing Through Serial No. 1303

Models BDEBCFGS171TN01, BDEBCFGS171TW01, BFEX07*F, SFET07*F, SFEX07*F and SFEY07*F



DRY2165P_510298

Wire Harnesses and Wires - Front Control Models Starting Serial No. 0904 and Continuing Through Serial No. 1303

REF	PART NO.	DESCRIPTION	COMMENTS
	45001	18 Gauge Wire	Black; Order wire by foot; Order terminals and connectors as required
	45380	12 Gauge Wire	Orange; Order wire by foot; Order terminals and connectors as required
1	512422P	Wire Harness Assembly	
2	512273P	Wire Configuration Assembly	
3	512275P	Wire Configuration Assembly	
4	511794P	Electronic Harness	

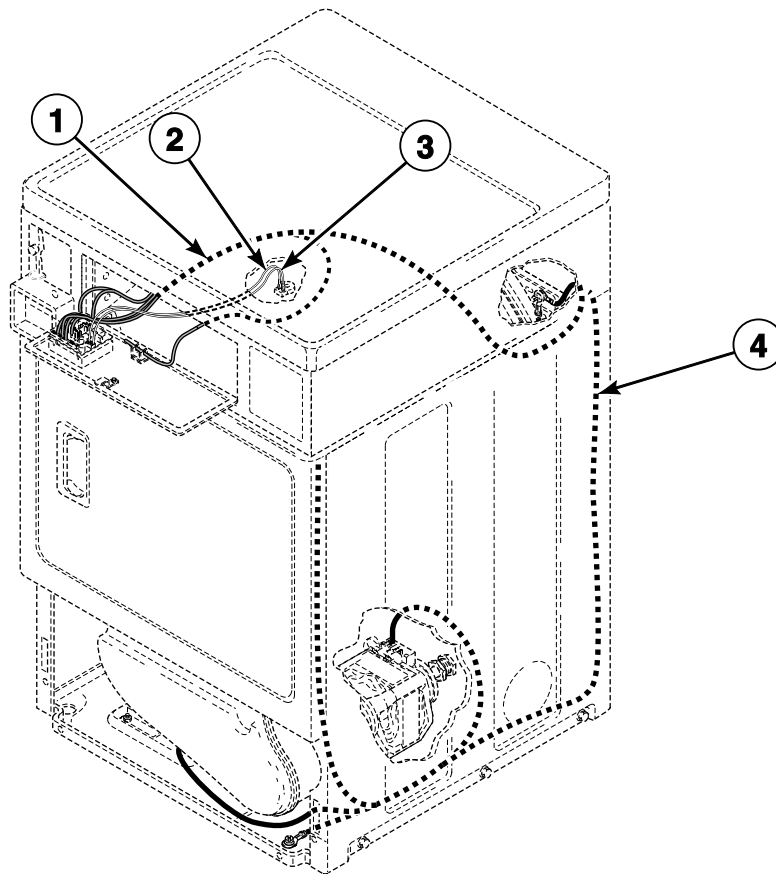
* Add Letter To Designate Color. L - Almond N - Stainless Steel Q - Bisque W - White

NOTE: Individual wires are not available separately. Order complete harness, or order wire by the foot. When applying terminals to wires, it is recommended that the terminals be soldered to the wires.

NOTE: Some models built after Serial No. 0904 may come equipped with one harness. If replacement of harness is necessary, replace with harness listed for model on *Wire Harnesses and Wires - Front Control Models Through Serial No. 0904*.

Wire Harnesses and Wires - Front Control Models Starting Serial No. 1303 (Drawing 2 of 2)

Models BDEBCFGS171TN01, BDEBCFGS171TW01, BFEX07*F, SFET07*F, SFEX07*F and SFEY07*F



DRY2285P_510298

Wire Harnesses and Wires - Front Control Models Starting Serial No. 1303 (Drawing 2 of 2)

REF	PART NO.	DESCRIPTION	COMMENTS
	45001	18 Gauge Wire	Black; Order wire by foot; Order terminals and connectors as required
	45380	12 Gauge Wire	Orange; Order wire by foot; Order terminals and connectors as required
1	512422P	Wire Harness Assembly	
2	512273P	Wire Configuration Assembly	
3	512275P	Wire Configuration Assembly	
4	514096	Electronic Harness	

* Add Letter To Designate Color. L - Almond N - Stainless Steel Q - Bisque W - White

NOTE: Individual wires are not available separately. Order complete harness, or order wire by the foot. When applying terminals to wires, it is recommended that the terminals be soldered to the wires.

Parts Index

A

Access Panel	
510069LP	67
Access Panel and Guard Assembly	
514252Q	67
514252W	67
514253	67
Access Panel Assembly	
514250Q	67
514250W	67
514251	67
Access Panel Plate	
510903	87
Accumulator Replacement Kit	
510628P	61
Adhesive	
511637P	71, 75, 77
Air Duct Assembly	
510151DG	75
510151LG	71
510151W	71
Anti-Seize Compound	
27604P	69
Audit Switch Bracket	
800379	47

B

Bit Holder	
24161	95
Blank Black Label	
512824	57
Blower and Fan Kit	
510717P	69
Blower Fan Assembly	
510139P	69
Blower Housing	
511969WP	69
Blower Housing Seal	
510238P	69
Bolt	
02505	25, 27, 29, 35, 41
29651	25, 27, 29, 45, 59
512505	55
Booster and Holding Coil	
58804A	83
Bracket	
510146	43
803662	33
Bumper Pad	
56128	87
Burner Assembly	
510149P	83

C

Cabinet Rear Panel	
510005P	87
Cabinet Side Panel	
510001GP	87
510001LP	87
510001QP	87
510001WP	87
510002GP	87
510002LP	87
510002QP	87
510002WP	87
512538	87
512539	87
512951	87
512952	87
Card Insert Overlay	
511544	57
Card Reader	
512473	41, 55
Card Reader and Bracket Assembly	
510068P	21, 57
Card Reader Assembly	
210045P	21
Card Reader Bracket	
210023	21
510045	57
Card Reader Instruction Overlay	
38192	41, 55
Card Reader Kit	
874P3	41
876P3	55
Card Reader Overlay	
800230	57
Card Reader Wire Harness Assembly	
38191	41
800125P	21, 57
Central Pay Harness	
511478	19, 21, 47
Chassis Mounting Bracket	
201581	29
Clip	
201572	39, 53
Coin Box Extension Kit	
803578P	29, 35
Coin Cabinet Hardware Kit	
547P3	87
Coin Drop	
38963P	37, 51
70441601P	37, 51
Coin Drop Assembly	
38462P	37, 51
38463	37, 51
Coin Drop Wire Harness	
201104	39, 53
Coin Funnel Kit	
523P3	25, 27, 29, 45
Coin Identification Paper	
38725	39, 53

N/A items do not appear in index.

Dryer Door	
510013LP	63
510013QP	63
510013WP	63
512699	65
512969	63
Dryer Door Assembly	
514167	65
Dryer Door Window	
503982	65

E

Elbow Shut-Off Valve	
510205	83
Electric Clearance Label	
511005	87
Electronic Coin Drop Kit	
CK115	39, 53
Electronic Control Shield	
36105	19
Electronic Harness	
511789P	99, 105
511790P	99, 105
511794P	117, 119
511795P	117
513668	101, 107
513669	101, 107
513944	101, 107
514092	113
514096	121
End Cap	
210108W	11, 21
210109W	11, 21
Exhaust Duct	
510137	87
Extractor Tool	
128P4	95
190P4	95

F

Fabric Selector Switch	
61512	7, 11, 45
Felt Pad	
510189	71, 75
Female Piggyback Terminal	
00361	93
Female Pin Terminal	
00117	91
00128	91
00130	91
Female Spade Terminal	
00114	93
00115	93
00121	93
00124	93
00189	93
00222	93
00223	93
Female Tab Terminal	
00344	93

Female Terminal	
00188	95
00255	95
00256	95
Flexible Venting Kit	
521P3	87
Frame Gusset	
510337	87
Front Bulkhead Assembly	
510266P	71
512476	75
Front Panel	
510066LP	67
510066QP	67
510066WP	67
512542	67
Front Panel Seal	
511056	67

G

Gas Clearance Label	
511004	87
Gas Valve Assembly	
60353P	83
Gas Valve Mounting Bracket	
510128	83
Glass Door Window	
513910	65
Glide Kit	
RB170003	71, 75
Graphic Overlay	
504113	15
510056	47
510070	17
510075	47
510113	21
511233	17
511573	47
511895	7
511898	7
511900	7
512726	47
513392	47
Grounding Clip	
00161	93

H

Harness	
512501	41, 55
Harness Assembly	
514098	101
802904P	19, 51
802905	19, 39, 51, 53
Harness Replacement Kit	
510534P	45
Harness Strap	
55881	91
Heat Duct Shroud	
510101	81
Heater	
510325P	79

N/A items do not appear in index.

Heater Assembly 510329P	79
Heater Duct and Screw Assembly 510025P	79, 81
Heater Kit 964P3	79
Heater Kit Assembly 61928	79
Hinge 511036	63, 65
Hinge Hole Plug 510186	67
Hold Down Kit 526P3	87
Hood Back Plate 505798	9, 13, 15, 19
Hood Harness 512510	99, 101
Housing, 10 Position 500338	95

I

Idler Lever 510133	69
Idler Lever and Wheel Assembly 510158	69
Idler Spring 510185	69
Idler Wheel and Bearing Assembly 510142P	69
Igniter and Bracket Assembly 510184P	83
Instruction Label 500628	25, 27
Instruction Overlay 504585	45, 49, 55
Instruction Plate 500490	23
Insulated Female Flag Terminal 00221	93
Insulated Female Spade Terminal 00359	93
00360	91

J

Jumper Assembly 513131	29
---------------------------------	----

K

Key 54612	45, 47
--------------------	--------

L

Lead-In Cord 56222	89
-----------------------------	----

Lead-In Pipe Assembly 510204	83
Leveling Leg 510135	87
Light 32464	7, 11, 45
801431	13
Light Housing Assembly 512108	75
Limit Thermostat 510701	79
510702	81
Liner Door Seal 510147P	63, 65
Liner, Seal and Grill Assembly 510163WP	63
512914DG	65
513109P	63
Lint Filter 503980DG	75
503980LG	71
503980W	71
Lock Cam 27261	45, 47
Lock Kit 27260P	45, 47
Long Vault Slide Extension Kit 788P3	27
Long Vault Timer Bracket 200832	27
Long Vault Timer Bracket Kit 789P3	27
L.P. Conversion Kit 458P3	83
L.P. Orifice 503786	85
58755	85

M

Male Pin Terminal 00116	91
00127	91
00129	91
Male Tab Terminal 00139	93
MDC Overlay 511429	17
511431	17
513036	17
Mechanical Counter Kit Assembly 201280P	27
Meter Case and Funnel Kit 524P3L	25
524P3Q	25
524P3W	25
Meter Case Assembly 38724L	35
38724Q	35
38724W	35
803074W	29
803575W	29
Meter Case Assembly Kit 803063WP	35

N/A items do not appear in index.

Meter Case Bracket Gasket 35526	25, 27, 29, 35
Meter Case Gasket 26354	25, 27, 29, 35
Meter Case Kit 201010LP	27
201010QP	27, 29
201010WP	27, 29
Meter Case Lockdown Bracket 35525	25, 27, 29, 35
Meter Case Locking Bracket 30642	25, 27, 29, 35, 41
Meter Case Wire Harness Kit 39955P	15, 47
Motor and Pulley Assembly 511629P	69
Motor Hub Ring Kit 590P3	69
Motor Mount 510060	69
Motor Mount Clamp 510180	69
Motor Pulley 500011	69
Mounting Tool Kit CK096	39, 53

N

Network Board Assembly 210016P	19
Network Wire Harness Assembly 800217	19
Nut 201216	39, 53
24205	7, 11, 13, 45
27222	43
28447	77
29786	9, 13, 23, 25, 27, 29, 35, 37, 41, 51, 53
29796	25, 27, 29, 45
30647	25, 27, 29, 35, 41
36020	59
44071201	65
44087201	59
52566	15, 19, 41, 69
52947	7, 11, 13, 45
56156	69, 77
80077	45, 49
802337	29
N.G. Conversion Kit 459P3	83
N.G. Orifice 503776	85
503778	85
503779	85
503780	85
510517	85

O

Operating Instruction Label 512822	49
512823	57

Opto Coupler 200674P	37
Outlet Cover 500820	79, 81
Overlay 201091	49
504210	45
511507	21
514274	21

P

Panel Locator 56079	67, 87
PC Board Standoff 210098	19
Plug 23040	91
54522	91
Plug, 1 Circuit 26302	93
Plug, 2 Circuit 56266	91
56448	91
Plug, 9 Circuit 23033	93
Power Supply 512496	41, 55
Programming Card 512499P	41, 55

R

Ratchet Extension Tool 310P4	95
Ratchet Wheel 53239	61
Rear Bulkhead 512698	77
Rear Bulkhead Assembly 511082P	77
Rear Panel 511254	11, 21
Receptacle Housing 90789	93
Receptacle, 1 Circuit 26301	93
Receptacle, 10 Circuit 34596	93
Receptacle, 12 Circuit 501333	93
56855	91
Receptacle, 2 Circuit 56451	91
Receptacle, 3 Circuit 23039	91
Receptacle, 6 Circuit 26708	93
Remote Vend Wire Harness Assembly 800725	19, 21, 47

N/A items do not appear in index.

Resistor	
210100	19, 21, 47
Retaining Ring	
23748	69, 77
Ring Terminal	
00110	93
Rocker Switch	
70455101	11
Roller Kit	
RB170002	77
Rubber Foot	
501855	87

S

Screw	
M405188	49, 57, 67, 71, 75, 77
02916	9, 13, 15, 19, 23, 41
03203	25, 27, 45
20530	89
23008	59
23222	21, 79, 83
23962	41
27328	11, 23, 31
28448	77
31260	69
33562	45, 67
35528	7, 11, 13, 15, 17, 21
36048	27, 29, 35
39733	67, 87
500226	65
500227	75
500824	69
501086	9, 11, 13, 15, 19, 21, 23, 27
501285	71, 75, 77
501524	15, 29, 47
502431	25, 45, 49, 55, 57
502535	69
503661	13, 19, 21
503673	25, 27, 29, 35, 41, 43
503688	19, 21, 27, 29, 41, 43, 45, 47, 49, 55, 57, 67, 69, 71, 75, 77, 79, 81, 83, 87
505295	63, 65, 71
511419	27
512504	41
512631	65
512921	87
513071	89
51778	23, 41
51782	31, 81, 83
52864	7, 11, 13, 15, 17, 21, 71, 75
56124	83
61199	77
62588	73, 75
62853	67
Screw Orifice	
58719	85
Seal Kit	
RB170001	71, 75, 77
Secondary Coil	
58804B	83
Security Cabinet Front Assembly	
505542W	55
505699WP	55
511209L	57
511209Q	57

511209WP	57
511523L	45
511523Q	45
511523W	45
511633B	49
511633LP	49
511633QP	49
511633WP	49
512708	49
512718	57
Security Cabinet Wrapper Assembly	
512711	49, 57
Security Case Assembly	
38145L	41
Security Kit	
905P3	19
Sensor	
510213	83
Service Door Assembly	
39874LP	25, 27, 35, 41
39874QP	25, 27, 29, 35, 41
39874WP	25, 27, 29, 35, 41
803043WP	29, 35
Shaft	
56461P	69, 77
Shield	
56751	45
Single Overlay	
202123	35
38717	35, 49
512821	49
Slide Extension Kit	
201915	31
553P3	25
Slide Extension Modifier	
501796	25, 27
Spade Terminal	
00245	93
Speed Clip	
28835	67
Stainless Steel Top	
511631P	59
512967	59
Strain Relief	
38384	89
Switch	
201952	31
431159	33
512973	35, 47, 49, 67
Switch Assembly	
55882	7, 13, 45
Switch Knob	
39897	7, 11, 13, 45
Switch Mount Assembly	
201917P	31

T

Temperature Selector Switch	
511711	13
Terminal	
00252	93
Terminal Block Assembly	
510190P	77

N/A items do not appear in index.

Terminal Block Shield	
505768	77
510237	77
Terminal Extractor Tool	
283P4	95
Thermal Fuse Assembly	
511412	79
Thermistor Assembly	
510523	69
Thermostat	
504515	69
510703	81
512005	69
Timer	
501757P	61
510524P	11, 23
Timer Bracket	
503017	45
Timer Case Assembly	
37733W	23, 41
Timer Knob	
54678	11, 23
Timer Motor	
512017P	61
Timer Plate	
39481W	41
Timer Plate Assembly	
500921W	23
Timing Cam	
53240	61
53241	61
53242	61
53243	61
Top and Gusset Assembly	
802247QP	59
802247WP	59
Top Hinge	
510136	87
Top Kit	
510032LP	59
511527LP	43
511527QP	43
511527WP	43
511528LP	43
511528QP	43
511528WP	43
803144P	59
Top Mounting Bracket	
504228	59
Top Panel Kit	
511530LP	43
511530WP	43
Torx Bit	
281P4	95
282P4	95
292P4	95
Torx Drive Tool	
93501	95
Transformer	
201375P	19, 21, 39, 47, 53
201587P	13
210018P	19, 21, 47
803527P	19, 21, 47

V

Venting Instruction Label	
502791	87

W

Warning Label	
803260	87
Warning/Caution Label	
500281	67
Washer	
M400017	9, 13, 15, 19, 23, 41
02431	41
03815	31
200608	19, 21
21734	23, 41
23225	41
25820	45
28449	77
29260	65
30627	41
504082	77
52549	69, 77
91176	7, 11, 13, 45
Window Clip	
513958	65
Window Trim	
512632	65
514258	65
Wire Accumulator Assembly	
511589	27
Wire Assembly	
510527	79
510528	79
Wire Clip	
504034	91
687500	91
Wire Configuration Assembly	
512273P	105, 107, 117, 119, 121
512275P	105, 107, 117, 119, 121
Wire Guard	
201595P	37, 51
Wire Harness Assembly	
510400P	97
510401P	97
510404P	97
510405P	97
510406P	97
510407P	97
510410P	109
510411P	109
510414P	109
510419P	109
510482P	97, 103
510485P	97, 103
510487P	109, 115
510488P	109, 115
512140	99, 101
512422P	105, 107, 117, 119, 121
512511P	99
512512	99
512728P	109, 111
512729	109

N/A items do not appear in index.

513670	101
513675	101
Wire, 12 Gauge	
45380	97, 99, 101, 103, 105, 107, 109, 111, 113, 115, 117, 119, 121
Wire, 18 Gauge	
45001	97, 99, 101, 103, 105, 107, 109, 111, 113, 115, 117, 119, 121
Wrapper and Channel Assembly	
505753BP	49
505753QP	45, 49, 55, 57
505753WP	45, 49, 55, 57
